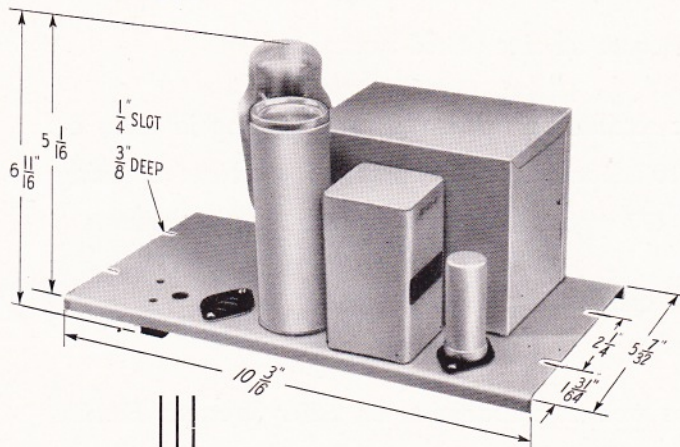


RECTIFIER
18A
<i>Western Electric</i>

18A RECTIFIER



The 18A Rectifier is a full wave vacuum tube rectifier with filter for supplying plate and filament power to amplifiers in speech input equipments and sound distribution systems.

TYPICAL PERFORMANCE CHARACTERISTICS

Filament Supply Plate	Up to 8 amperes AC at 6.3 volts, 60 cycles.
High Voltage	From .077 to .075 ampere DC at 285 ± 35 volts, the voltage depending on the transformer tap used and the current drain.
Normal Applications	Power Supply for Western Electric 120, 121, 129, 130, 131, 132, 133 and similar Amplifiers. Suggested maximum capacities are as follows: 2—120B Amplifiers and 2—121A Amplifiers or 6—120B Amplifiers and 1—121A Amplifier or 10—120B Amplifiers.
Power Required	110 to 120 volts, 60 cycles, 100 watts. Fuse circuit with Fustat for actual drain (maximum $1\frac{1}{4}$ ampere).

Western Electric

MECHANICAL CHARACTERISTICS

Overall Dimensions	Length 10-3/16", Width 5-7/32", Height 6-11/16".
Weight	Approximately 9 lbs.
Finish	Bright aluminum lacquer on zinc plated steel.
Mounting	New type of basic rectifier unit designed for mounting in desks or other structures; also adaptable for relay rack or bay cabinet mounting through the use of 177 type mounting plates and 296 type panels.
Vacuum Tubes (Specify separately on order)	One W.E. 274A or one No. 80.

Additional information on the 18A Rectifier, as well as information on other Western Electric Radio Broadcast Equipment and Sound Distribution Systems may be obtained from the nearest distributor listed below:

DISTRIBUTOR IN THE UNITED STATES

Graybar
ELECTRIC COMPANY

Executive Offices: 420 Lexington Avenue, New York 17, N. Y.
Offices in more than 80 principal cities
A NATIONAL ELECTRIC SERVICE

DISTRIBUTOR FOR CANADA AND NEWFOUNDLAND

Northern Electric Company
LIMITED

General Offices: 1620 Notre Dame Street, W. Plant: 1261 Shearer Street,
Montreal, P. Q., Canada
TWENTY-THREE BRANCHES FROM COAST TO COAST