

FIG. 197. Schematic of A.C. Power Panel.

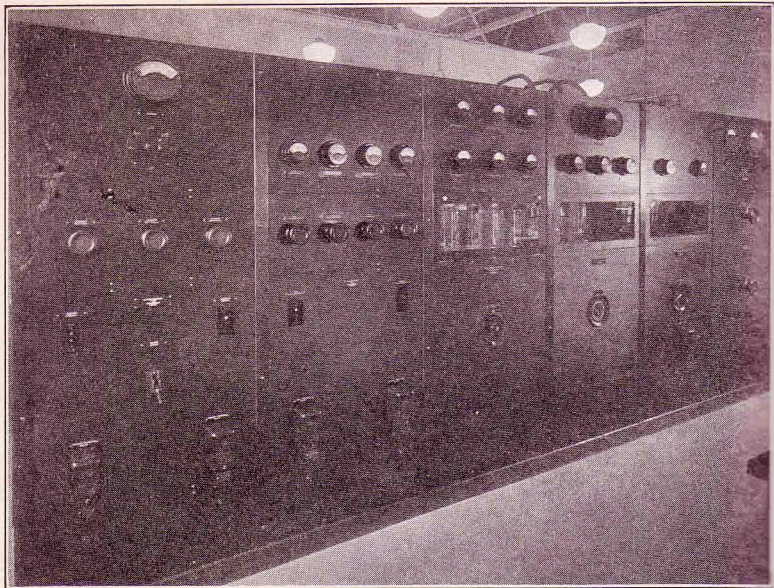


FIG. 208. Panel Assembly. Left to Right: A.C. Power—D.C. Power—Oscillator-Modulator Unit—Rectifier—Power Amplifier—Tuning Unit.

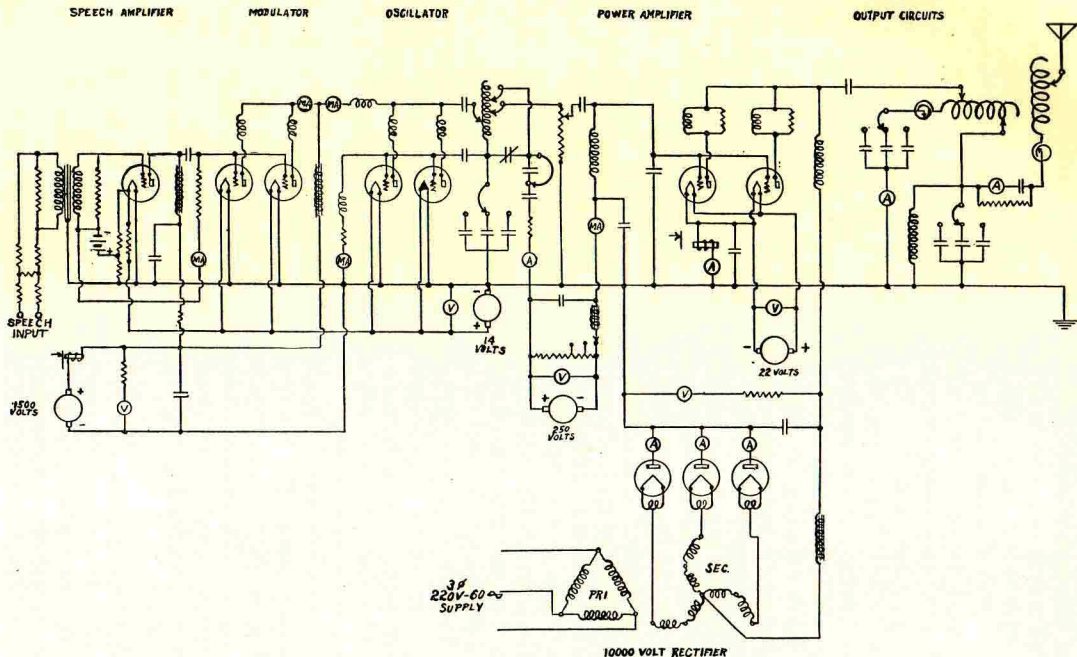


FIG. 209. Radio Broadcasting Transmitter Schematic.

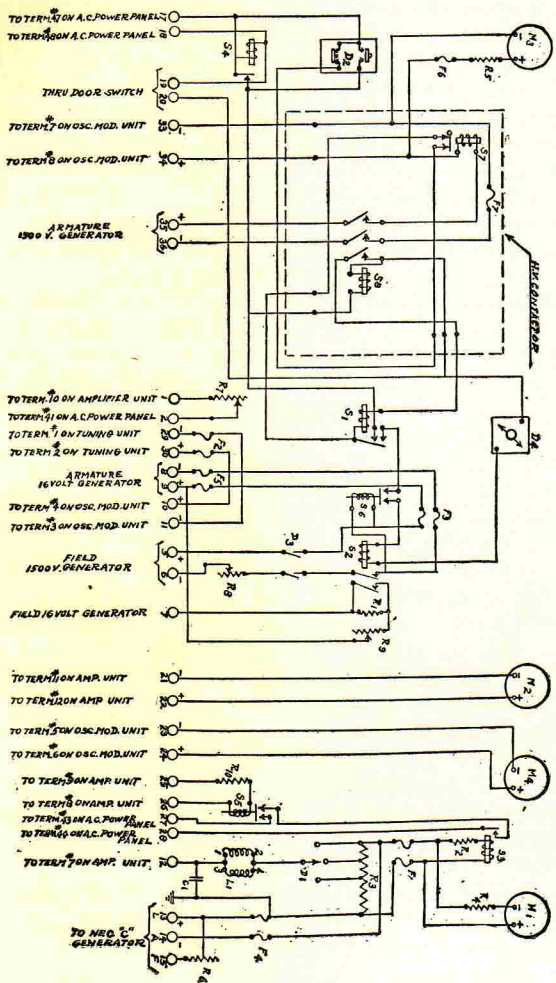


FIG. 198. Schematic of D.C. Power Panel.

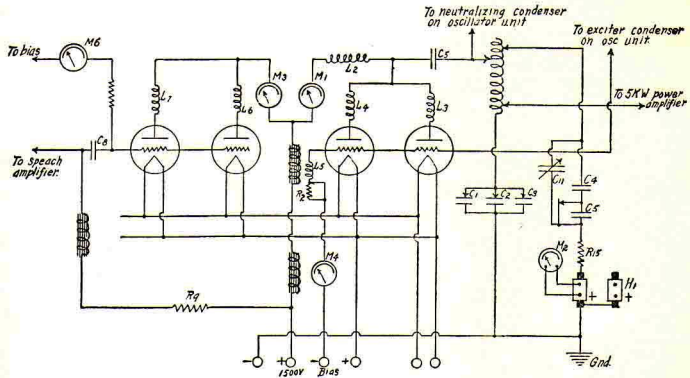


FIG. 221. Oscillator-Modulator Unit (3d Amplifier D-81207 Transmitter).

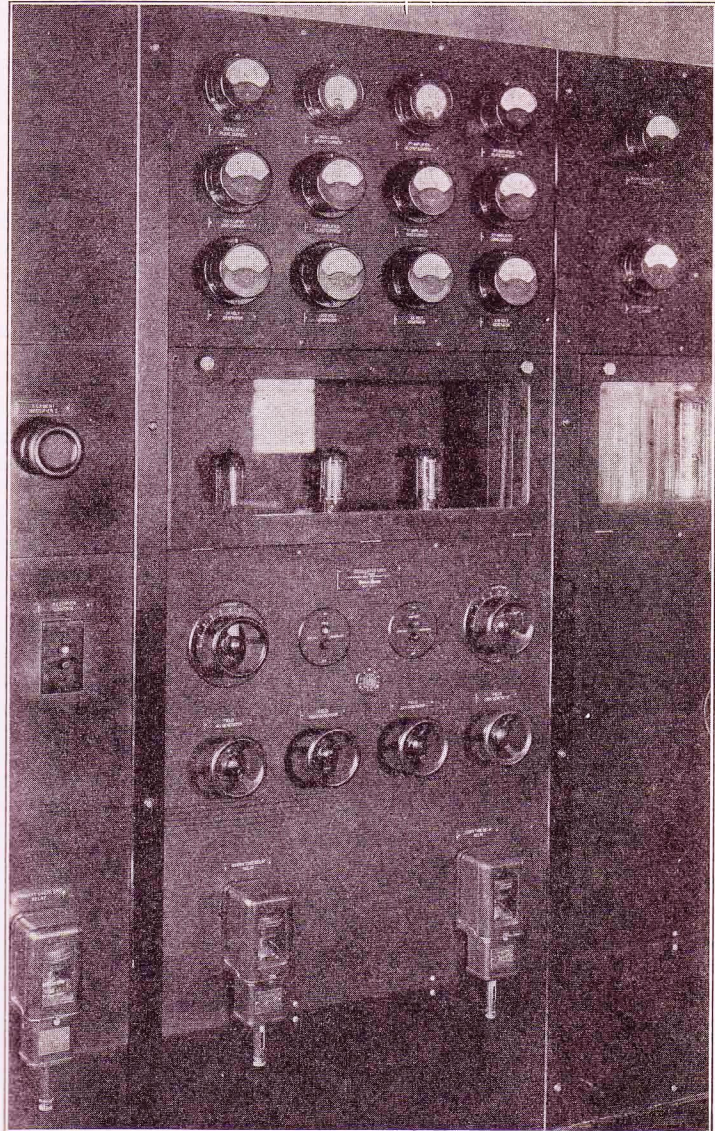


FIG. 222. Master Oscillator Frequency Stabilizer Panel.

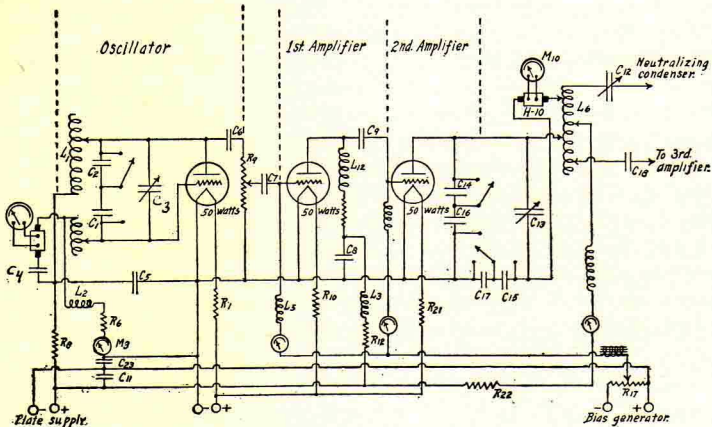


FIG. 220. Modified 5-KW. Transmitter with Master Oscillator, 1st and 2d Amplifier Circuits.

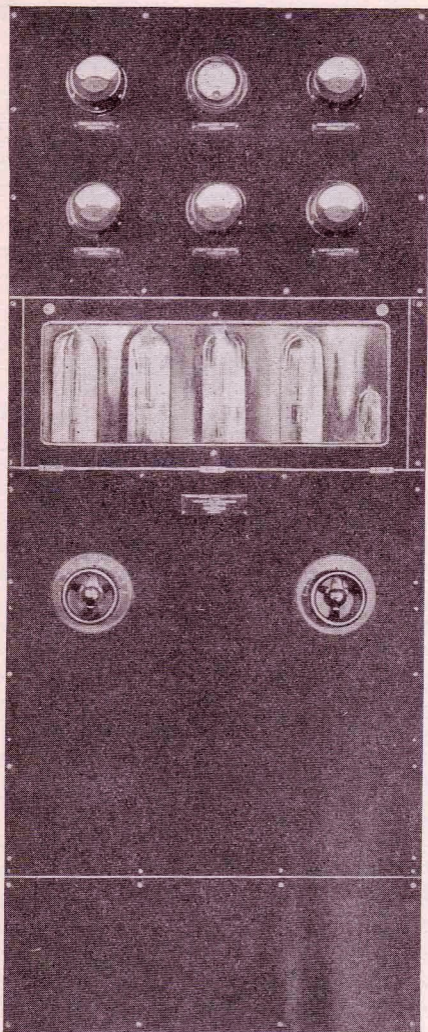


FIG. 203. Modulator Unit.



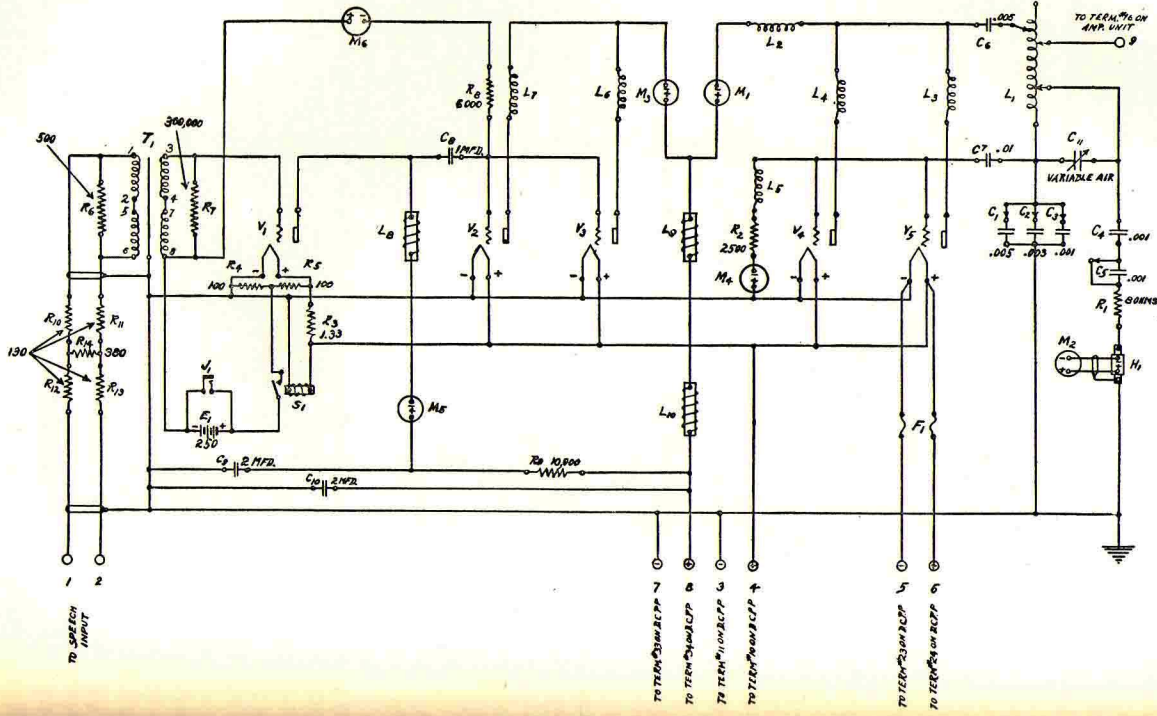


Fig. 202. Schematic of Oscillator-Modulator Circuit.

TO TERM. 20 ON TRANS. Q. FILTER UNIT

TO TERM. 23 ON POS. MOD. UNIT

TO TERM. 72 ON D.C. POWER PANEL

TO TERM. 26 ON D.C. POWER PANEL

TO TERM. 25 ON D.C. POWER PANEL

TO TERM. 21 ON D.C. POWER PANEL

TO TERM. 22 ON A.C. POWER PANEL

TO 24VOLT GENERATOR

TO TERM. 21 ON D.C. POWER PANEL

TO TERM. 22 ON D.C. POWER PANEL

TO TERM. 25 ON A.C. POWER PANEL

TO TERM. 26 ON A.C. POWER PANEL

TO TERM. 27 ON A.C. POWER PANEL

TO TERM. 28 ON A.C. POWER PANEL

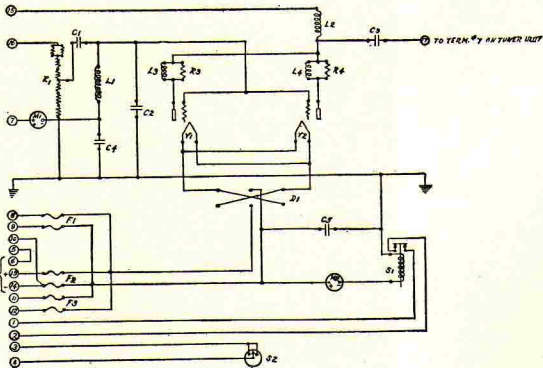


FIG. 204. Power Amplifier Schematic.

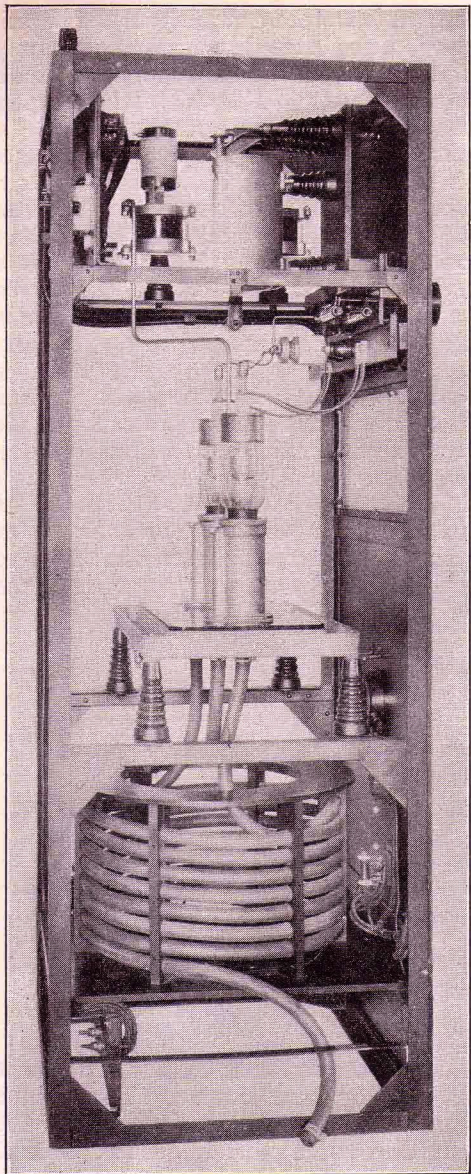


FIG. 205. Side View of Amplifier Unit.

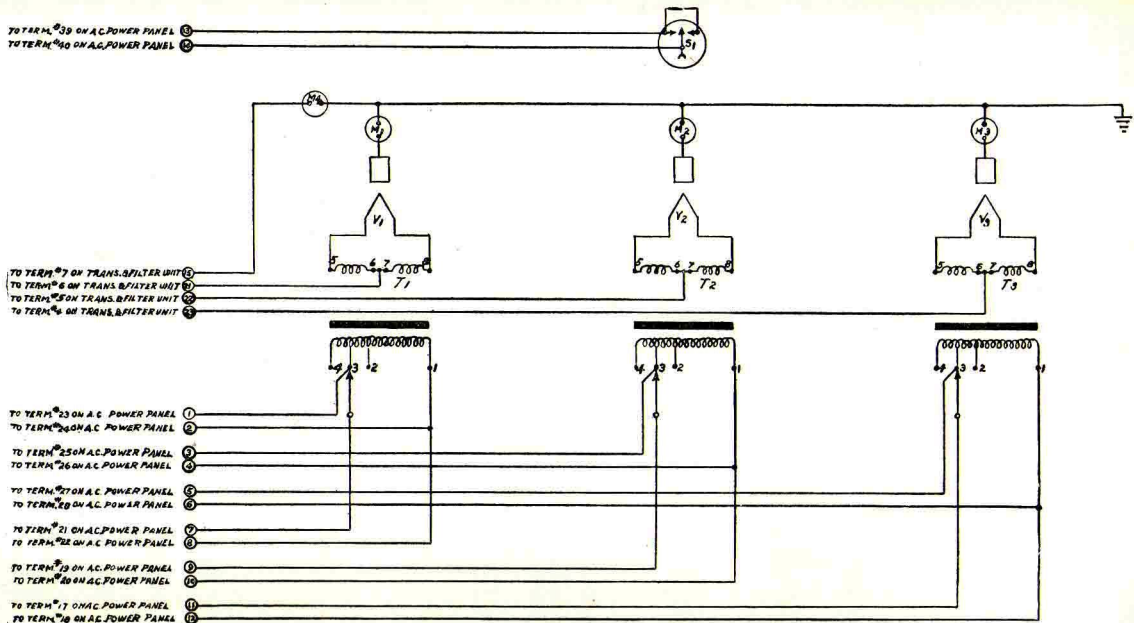


FIG. 196. Rectifier Schematic Diagram.

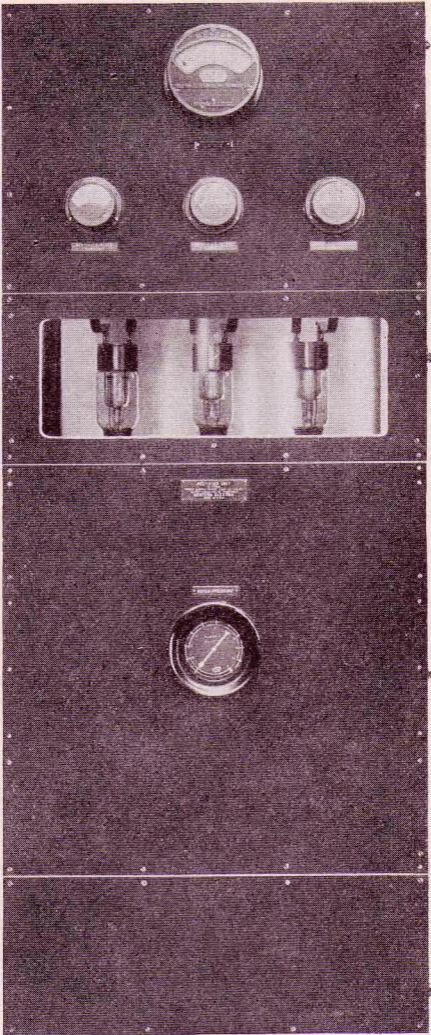


FIG. 201. Rectifier Unit.

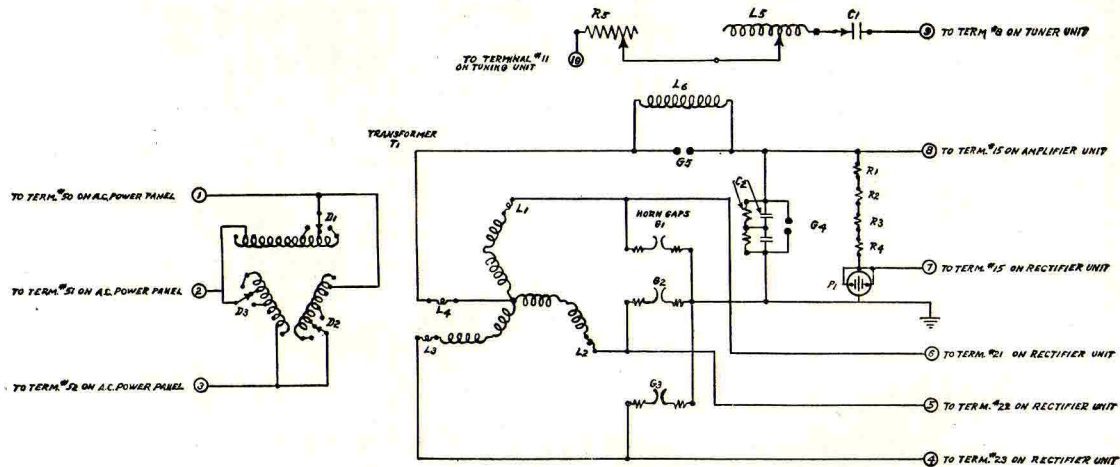


FIG. 199. Schematic of Transformer and Filter Circuit.

POSITION OF KNIFE SWITCHES			SECONDARY VOLTAGE TO NEUTRAL
D <sub>1</sub>	D <sub>2</sub>	D <sub>3</sub>	
4	10	16	4460V.
5	11	17	7000V.
6	12	18	10000V.

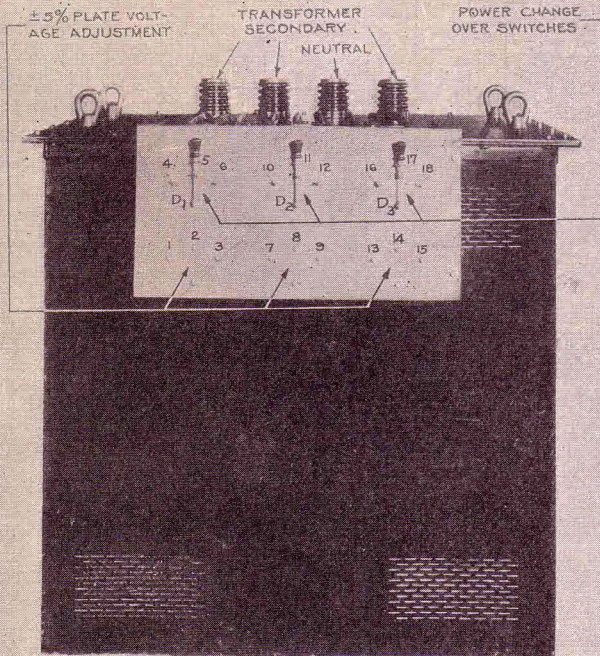


FIG. 200. High Voltage Transformer.

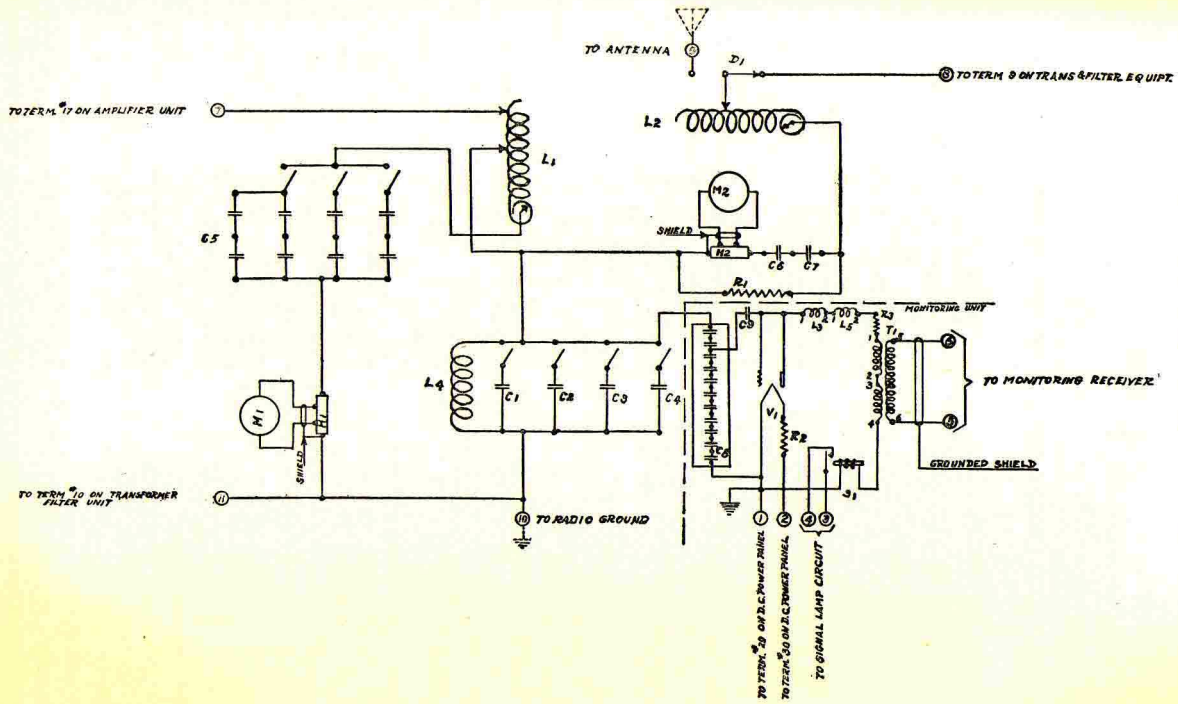


Fig. 206. Tuning Unit Schematic.



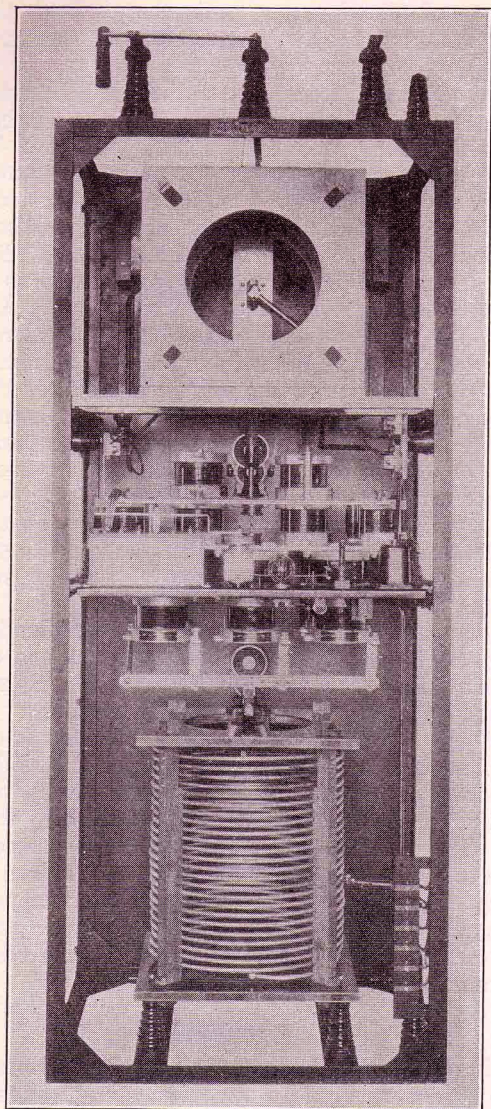


FIG. 207. Rear View of Tuning Unit.

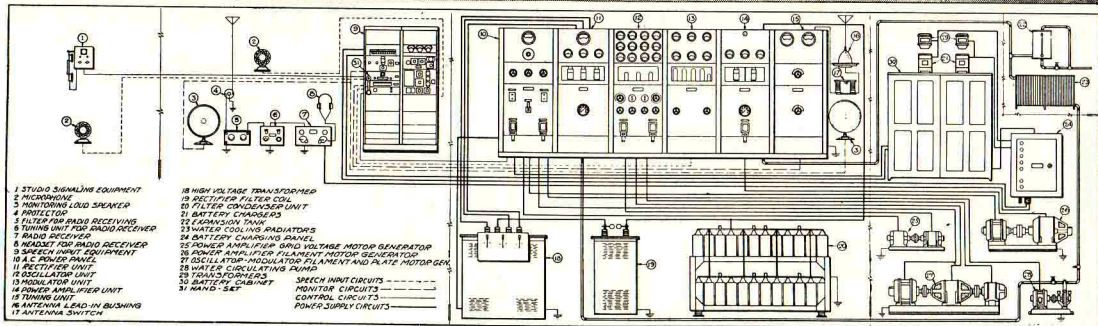
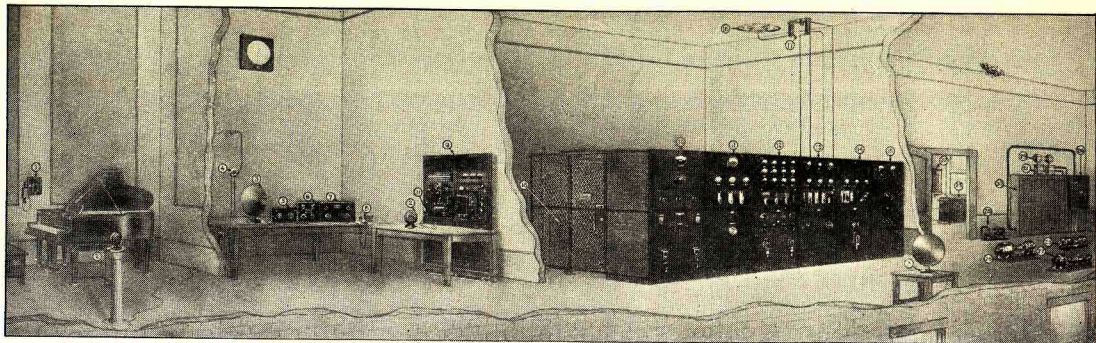


FIG. 194. Western Electric 104-B 5-KW. Radiotelephone Broadcasting Equipment.