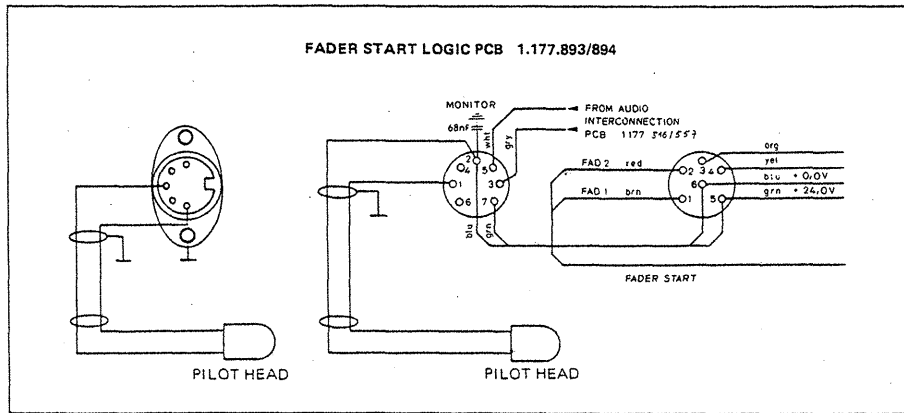


10.3. Dia-Steuerung, FREE HEAD KIT
1.177.090

10.3. Slide Show Control, FREE HEAD KIT
1.177.090

10.3. Commande de diapositives, FREE HEAD
KIT 1.177.090



Die Bandmaschinen PR99 MKI und MKII können - im Gegensatz zur B77 - nur mit einem Free-Head Kit ausgerüstet werden.

The PR99 MKI or MKII can - in contrast to the B77 - only be equipped with a free head kit.

Contrairement au B77 le PR99 MKI ou MKII ne peut être équipé que d'un Free Head Kit.

Das Anschlusskabel des Pilot-Tonkopfes kann, nach entsprechend angebrachter Verlängerung, entweder mit einer anstelle der symmetrischen Mikrofoneingänge zu montierenden 5-Pol 180 Grad DIN-Buchse oder mit den noch freien Anschlüssen der Monitorbuchse verbunden werden (siehe unten).

The connecting cable of the pilot head can, after a corresponding extension, be soldered to the 5 pole 180 degrees DIN socket, installed instead of the symmetrical mic input, or to the free pins of the monitor socket (see below).

Le câble de raccordement de la tête pilote doit être rallongé. Il peut ensuite être, soit raccordé à une prise DIN 5-pôles, 180 degrés que l'on aura installé à la place des entrées micros symétriques, soit être raccordé aux connexions encore libres de la prise monitor (voir ci-dessous).

Für die Montage des Pilot-Tonkopfes - nur bei der PR99 MKII - werden zusätzlich zum Kit 1.177.090.00 eine Montageplatte 1.177.790.01 und 3 Schrauben 21.01.2206 benötigt.

To install the pilot head - in the PR99 MKII only - additionally to the free head kit 1.177.090.00 a mounting plate 1.177.790.01 and 3 screws 21.01.2206 are needed.

Dans le cas du montage de la tête pilote dans le PR99 MKII il faudra, en plus au kit 1.177.090.00, prévoir une plaquette de montage 1.177.790.01 et 3 vis 21.01.2206.

10.4. Elektronisch selbsthaltende
Pausentaste

Diese Pausenfunktion bewirkt durch erneutes Antippen der Pause-Taste eine Rückkehr zur unterbrochenen Funktion. Der Einbau-Kit für die elektronisch selbsthaltende Pausentaste ist beim autorisierten Fachhändler erhältlich (Artikelnummer 74494).

10.4. Electronic controlled Looking Pause

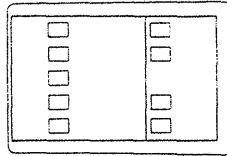
This pause function allows reactivating the function previously interrupted, by pressing the pause button again. The conversation kit for the electronically locking pause button is available at your authorised dealer (Order no.74494).

10.4. Pause à encliquetage électronique

Le circuit permet de maintenir la fonction Pause jusqu'à ce qu'une nouvelle pression soirdonnée sur la touche. Le kit de montage permettant cette fonction est disponible auprès des revendeurs autorisés (No. d'article 74494).

10.2.2. Tape Drive

Remote control
1.128.040



- PIN 1 = S-FORW
- PIN 2 = S-PAUSE
- PIN 3 = ---
- PIN 4 = + 0.0 V
- PIN 5 = S-REC
- PIN 6 = S-STOP
- PIN 7 = S-PLAY
- PIN 8 = S-24.0 V
- PIN 9 = S-REW

10.2.2. Tape Drive

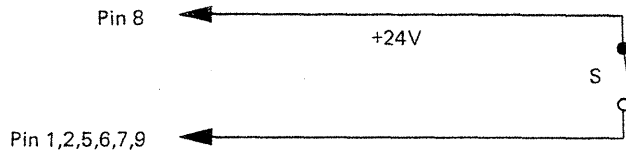
- PIN 1 = S-FORW
- PIN 2 = S-PAUSE
- PIN 3 = ---
- PIN 4 = + 0.0 V
- PIN 5 = S-REC
- PIN 6 = S-STOP
- PIN 7 = S-PLAY
- PIN 8 = S-24.0 V **
- PIN 9 = S-REW

10.2.2. Tape Drive

TAPE DRIVE



- PIN 1 = S-FORW
- PIN 2 = S-PAUSE
- PIN 3 = ---
- PIN 4 = + 0.0 V
- PIN 5 = S-REC
- PIN 6 = S-STOP
- PIN 7 = S-PLAY
- PIN 8 = S-24.0 V
- PIN 9 = S-REW



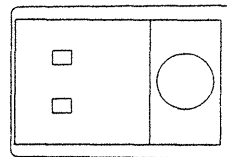
** S-24.0 V wird ausgeschaltet, wenn FADER START aktiv.

** S-24.0 V is switched OFF if FADER START is active.

** S-24.0 V est déclenché si FADER START est actif.

10.2.3. Capstan Speed

Variabel speed control
1.128.045



Wenn die interne Variable-Speed-Steuerung aktiv ist, wird die externe Steuerung ignoriert.

10.2.3. Capstan Speed

If the internal variable speed control is active, the external control is ignored.

10.2.3. Capstan Speed

CAPSTAN SPEED



Si le variateur de vitesse interne est enclenché, le variateur de vitesse externe est sans effet.

** +24 VDC: Die interne Versorgungsspannung dient lediglich zur Speisung von REVOX-Zubehör. Sie ist nicht für zusätzliche Fremdgeräte vorgesehen (Überlastung) !

** +24 VDC: The internal supply voltage is provided to supply REVOX accessories only. It cannot be used for additional other devices (overload).

** +24 VDC: Cette tension est usée pour alimenter les accessoires REVOX seulement. Elle n'est pas prévue pour des appareils étrangers supplémentaires (surcharge!)

10.2. REMOTE CONTROL

10.2. REMOTE CONTROL

10.2. REMOTE CONTROL

10.2.1. Fader Start

10.2.1. Fader Start

10.2.1. Fader Start

FADER START



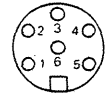
PIN 1 = Fad1
 PIN 2 = Fad2
 PIN 3 = ---
 PIN 4 = +5 VDC
 PIN 5 = +24 VDC **
 PIN 6 = Masse

FADER START



PIN 1 = Fad1
 PIN 2 = Fad2
 PIN 3 = ---
 PIN 4 = +5 VDC
 PIN 5 = +24 VDC **
 PIN 6 = Ground

FADER START



PIN 1 = Fad1
 PIN 2 = Fad2
 PIN 3 = ---
 PIN 4 = +5 VDC
 PIN 5 = +24 VDC **
 PIN 6 = Masse

Fader Start:

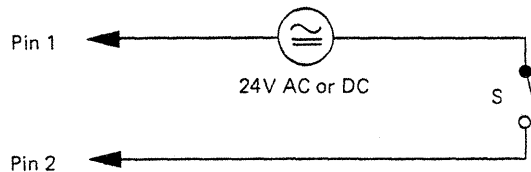
- Externe Speisung

Fader Start:

- External Supply:

Fader Start:

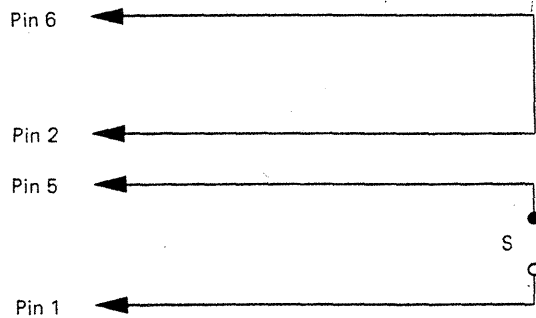
- Alimentation externe:



- Interne Speisung

- Internal Supply:

- Alimentation interne:



S = ON: Start (lokale Tastatur gesperrt)
 S = OFF: Stop

S = ON: Start (Loc. keyboard disabled)
 S = OFF: Stop

S = ON: Start (Clavier local bloqué)
 S = OFF: Stop

10.1.4. MONITOR

Anschluss für Monitorpanel oder einen externen Leistungsverstärker (Einmes- sen: siehe Serviceanleitung PR99 (Be- stell-Nr. 10.18.1964), Kapitel 6.4.10)

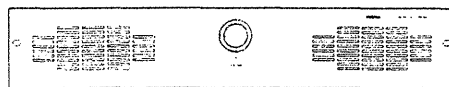
Monitor panels : 2-Track 1.177.927
Stereo 1.177.920
Mono 1.177.925

PIN 1 = --
PIN 2 = Masse
PIN 3 = CH 1
PIN 5 = CH 2
PIN 7 = Speisung **

Ausgangspegel:
Bei 0 VU = 0,775 V an $R_L = 10\text{ k}\Omega$
(0,775 V = 0 dBu)

10.1.4. MONITOR

Connector for monitor panel or external power amplifier (adjustment: refer to Service Instructions PR99 (Order No. 10.18.1964), Section 6.4.10).



PIN 1 = --
PIN 2 = Ground
PIN 3 = CH 1
PIN 5 = CH 2
PIN 7 = Supply **

Output level:
At 0 VU = 0.775 V on $R_L = 10\text{ k}\Omega$
(0.775 V = 0 dBu)

10.1.4. MONITOR

Connecteur pour panneau moniteur ou amplificateur de puissance (réglages: voir Instructions de Service PR99, (No. 10.18.1964) chapitre 6.4.10).

MONITOR



PIN 1 = --
PIN 2 = Masse
PIN 3 = CH 1
PIN 5 = CH 2
PIN 7 = Alimentation **

Niveau de sortie:
à 0 VU = 0,775 V avec $R_L = 10\text{ k}\Omega$
(0,775 V = 0 dBu)

10. BESCHREIBUNG DER BUCHSEN
(Beachte Bilder Seite 10/5)

10. DESCRIPTION OF SOCKETS
(See pictures page 10/5)

10. DESCRIPTION DES PRISES
(Voir les tableaux page 10/5)

10.1. Audio

10.1. Audio

10.1. Audio

10.1.1. LINE INPUT (Fig. 1)

10.1.1. LINE INPUT (Fig. 1)

10.1.1. LINE INPUT (Fig. 1)

Die symmetrischen Eingänge sind auf XLR-Buchsen geführt (beschrieben in der IEC-Empfehlung 268-14).

The balanced inputs are terminated on XLR-type sockets conforming to the IEC recommendation 268-14.

Les entrées ligne symétriques sont ramenées à des prises connues sous la désignation XLR et décrites dans la recommandation IEC 268-14.

- PIN 1 = Abschirmung
- PIN 2 = A-Leitung
- PIN 3 = B-Leitung

- PIN 1 = Screening
- PIN 2 = A-Line
- PIN 3 = B-Line

- PIN 1 = Blindage
- PIN 2 = Ligne A
- PIN 3 = Ligne B

(A-Leitung ist "heiss", wenn das Gerät asymmetrisch beschaltet wird.)

(A-Line is "hot" if the recorder is connected to an unbalanced source.)

(La ligne A est "chaude" quand l'appareil est raccordé en asymétrique).

10.1.2. LINE OUTPUT (Fig. 2)

10.1.2. LINE OUTPUT (Fig. 2)

10.1.2. LINE OUTPUT (Fig. 2)

Die symmetrischen Ausgänge sind auf XLR-Stecker geführt (beschrieben in der IEC-Empfehlung 268-14).

The balanced outputs are terminated on XLR-type sockets conforming to the IEC recommendation 268-14.

Les sorties ligne symétriques sont ramenées à des prises connues sous la désignation XLR et décrites dans la recommandation IEC 268-14.

- PIN 1 = Abschirmung
- PIN 2 = A-Leitung
- PIN 3 = B-Leitung

- PIN 1 = Screening
- PIN 2 = A-Line
- PIN 3 = B-Line

- PIN 1 = Blindage
- PIN 2 = Ligne A
- PIN 3 = Ligne B

10.1.3. Kopfhörerbuchse PHONES
(Fig. 3)

10.1.3. Headphones socket PHONES
(Fig. 3)

10.1.3. Prise pour casque PHONES
(Fig. 3)

- TIP = links (CH I)
- RING = rechts (CH II)
- SLEEVE = Abschirmung

- TIP = Left (CH I)
- RING = Right (CH II)
- SLEEVE = Ground

- TIP = Gauche (CH I)
- RING = Droite (CH II)
- SLEEVE = Masse

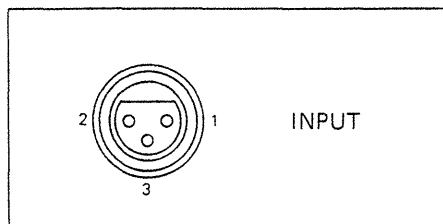


Fig. 1

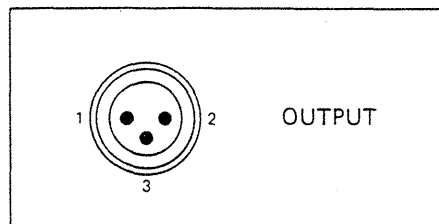


Fig. 2

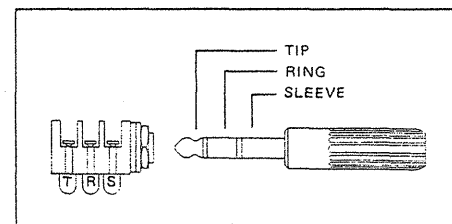


Fig. 3

PR99 MKIII UNIT

POS	QTY	ORDER NUMBER	PART NAME	SPECIFICATIONS
	1	1.177.511.00	Cabinet	
	1	1.177.511.02	Bottom plate	
	1	1.177.910.08	Bracket rack mounting	right
	1	1.177.910.09	Bracket rack mounting	left

ACCESSORIES

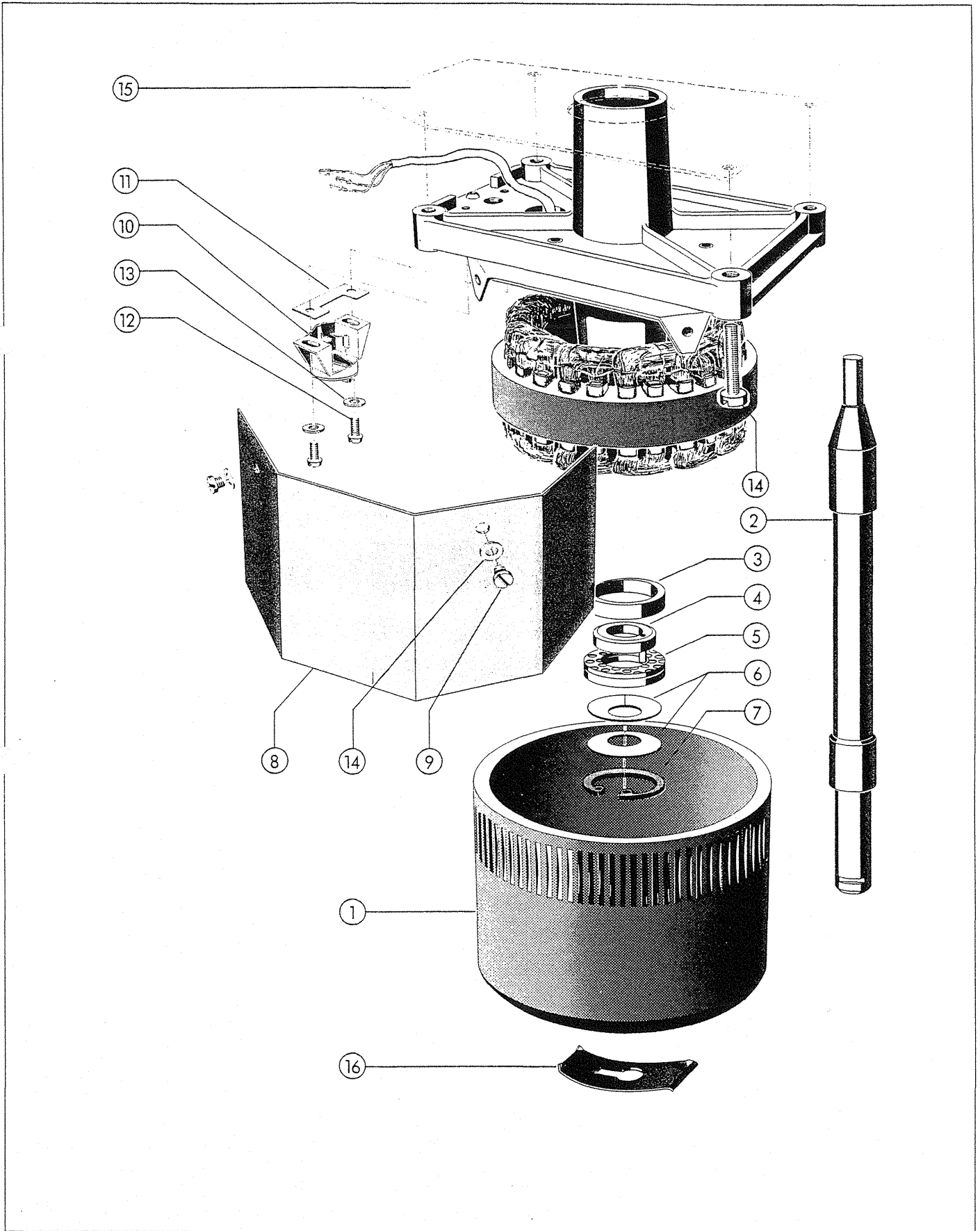
POS	QTY	ORDER NUMBER	PART NAME	SPECIFICATIONS
	1	31310	Carrying case	
	1	31315	Pivoting trolley	
	1	31316	Reel shelf for trolley	
	1	31318	Side panels wood	
	1	34509	Monitor Panel	
	1	34508	Blank panel	



CAPSTAN MOTOR

POS	QTY	ORDER NUMBER	PART NAME	SPECIFICATIONS
	1	1.021.300.00	Capstan motor, compl.	9,5/19
	1	1.021.302.00	Capstan motor, compl.	19/38
1	1	1.021.161.00	Rotor	
2	1	1.021.300.02	Capstan shaft	9,5/19
	1	1.021.302.03	Capstan shaft	19/38
3	1	1.021.160.08	Spacer	
4	1	1.021.166.00	Thrust bearing	
5	1	1.021.601.09	Low friction washer	
6	2	37.02.0106	Cup washer	
7	3	24.16.4220	Retaining ring, internal	
8	1	1.077.200.03	Shield	
9	2	21.01.0352	Screw	M3x4
10	1	1.077.240.00	Tacho head	
11	1	1.077.200.04	Antivibration shim	
12	2	21.99.0137	Screw nylon	M3x8
13	4	23.01.1032	Washer	
14	4	21.26.0459	Screw	M4x18
15	1	1.177.100.21	Screening plate	
16	1	1.021.160.10	Shaft lock	

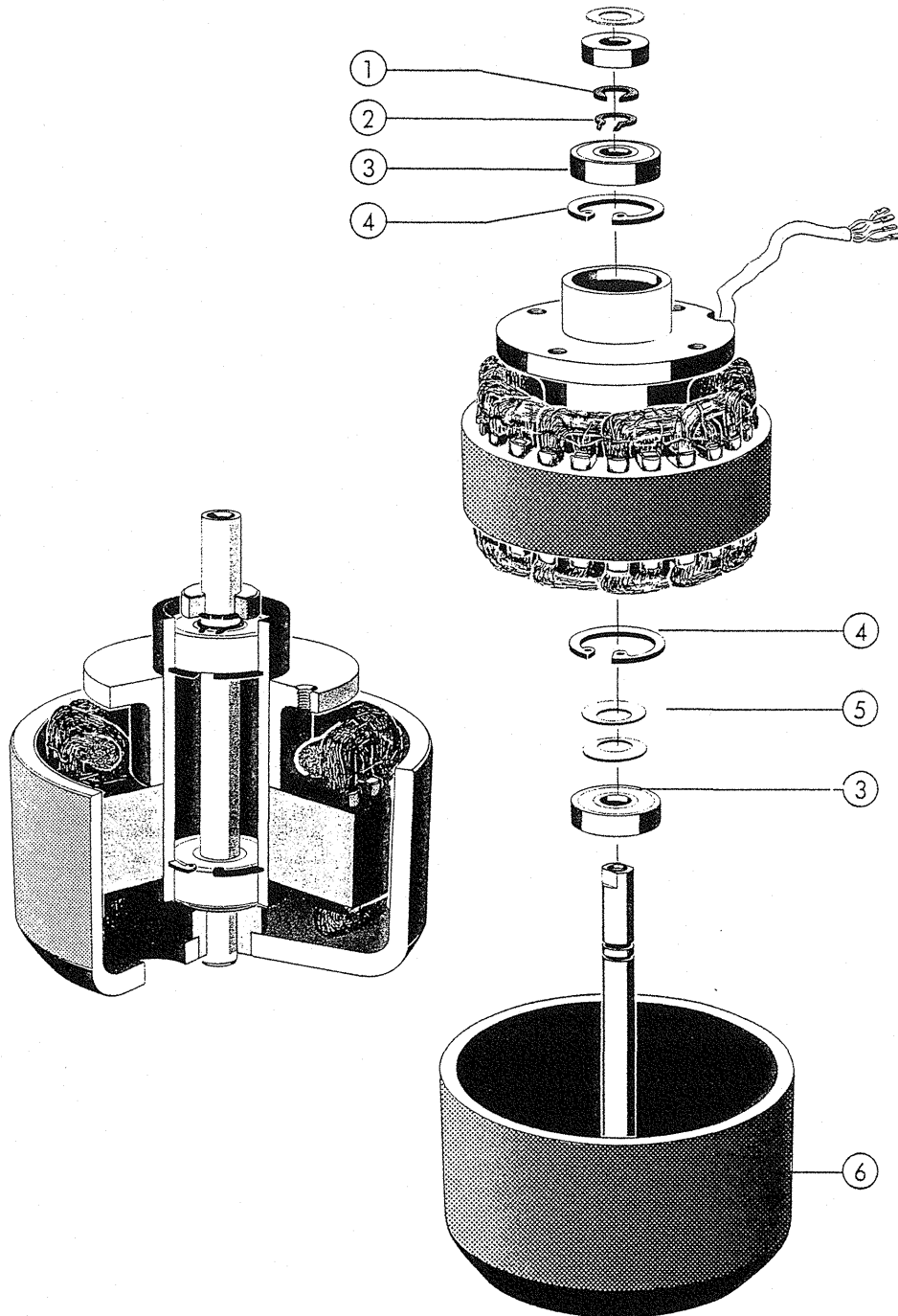
CAPSTAN MOTOR



SPOOLING MOTOR

POS	QTY	ORDER NUMBER	PART NAME	SPECIFICATIONS
		1.021.210.00	Spooling motor, compl.	
1	1	1.021.256.04	Circlip	
2	1	24.16.5080	Retaining ring, external	
3	2	41.99.0105	Ball bearing	
4	2	24.16.4220	Retaining ring, internal	
5	2	37.02.0206	Cup washer	
6	1	1.021.259.00	Rotor, compl.	

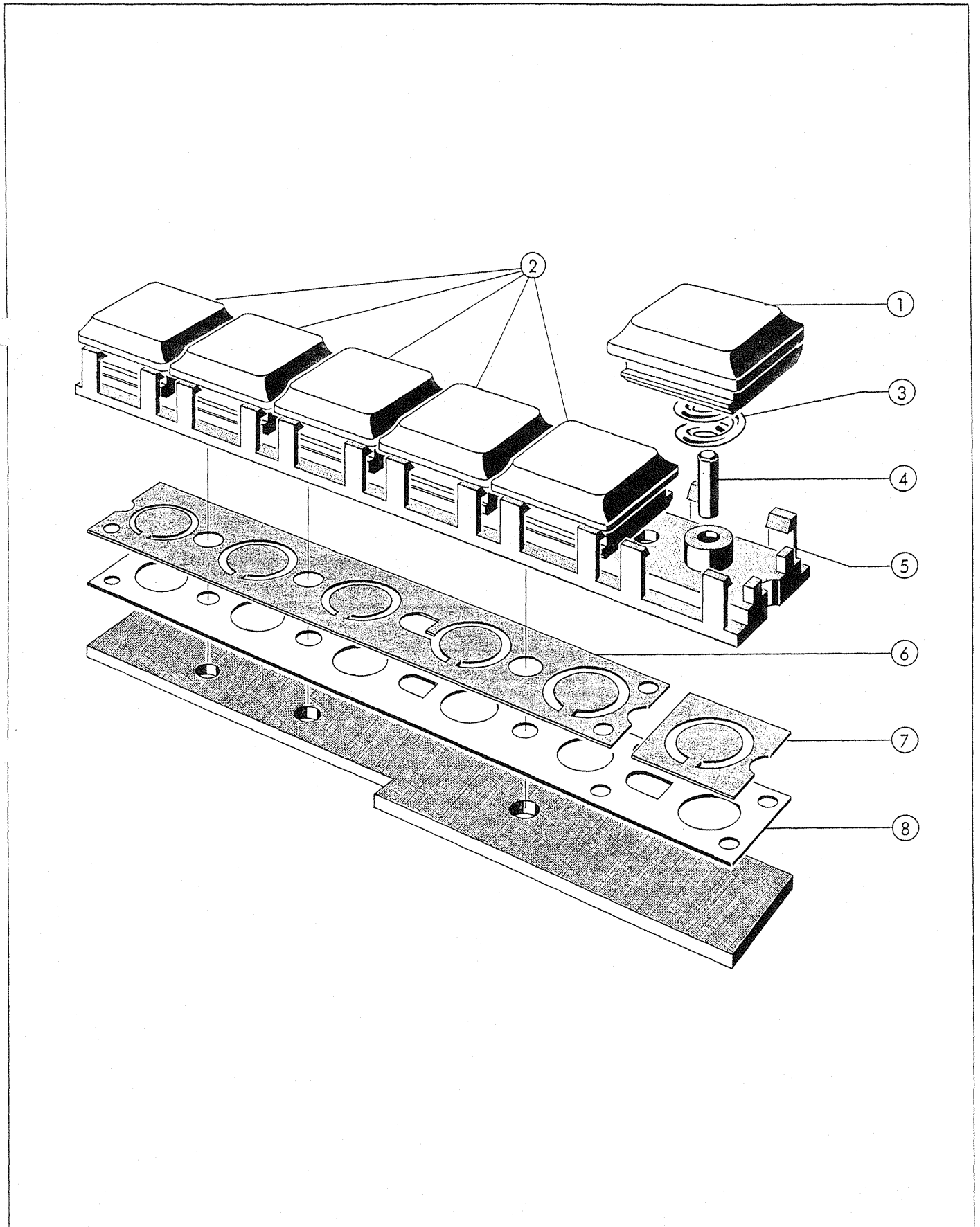
SPOOLING MOTOR



PUSH BUTTON UNIT

POS	QTY	ORDER NUMBER	PART NAME	SPECIFICATIONS
		1.011.220.00	Push button unit compl.	
1	1	1.011.201.06	Push button	red
2	5	1.011.201.05	Push button	grey
3	6	1.010.095.37	Pressure spring	8x18,3
4	6	1.011.220.03	Cylindrical pin	
5	1	1.011.206.01	Push button housing	
6	1	1.011.205.02	Snap spring	
8	1	1.011.206.03	Insulating strip	

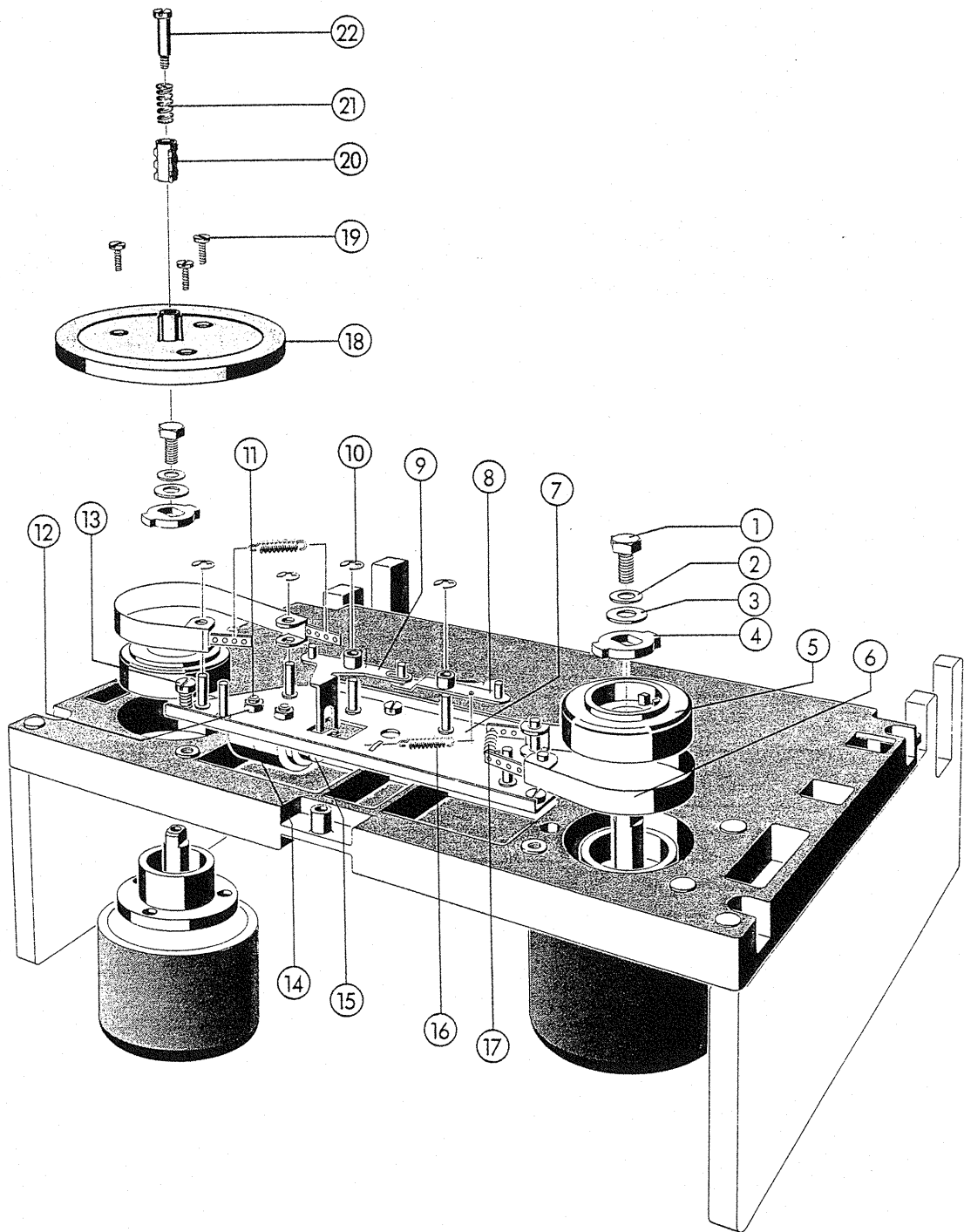
PUSH BUTTON UNIT



BRAKE SYSTEM

POS	QTY	ORDER NUMBER	PART NAME	SPECIFICATIONS
1	2	21.01.4455	Screw	M4x8
2	2	24.16.1040	Lock washer	
3	2	23.01.3043	Washer	
4	2	1.067.100.27	Driver	
5	2	1.077.562.00	Brake drum	
6	2	1.077.421.00	Brake band compl.	
7	1	1.077.406.00	Brake chassis compl.	
8	1	1.077.415.00	Brake lever	
9	1	1.077.411.00	Brake lever	
10	6	24.16.3032	Circlip	
11	2	21.26.0353	Screw	max. M3x5
12	2	23.01.2032	Washer	M3
13	3	21.26.0354	Screw	M3x6
14	1	1.014.852.00	Brake solenoid	
15	1	1.014.854.00	Plunger to brake solenoid	
16	1	1.062.210.06	Tension spring	
17	2	1.077.100.13	Tension spring	
18	2	1.067.688.00	Turntable compl.	
19	6	21.38.0355	Phillips head screw	M3x8
20	2	1.067.688.01	Guide sleeve	
21	2	1.067.688.02	Lock spring/reel	
22	2	1.062.390.02	Shaft screw	

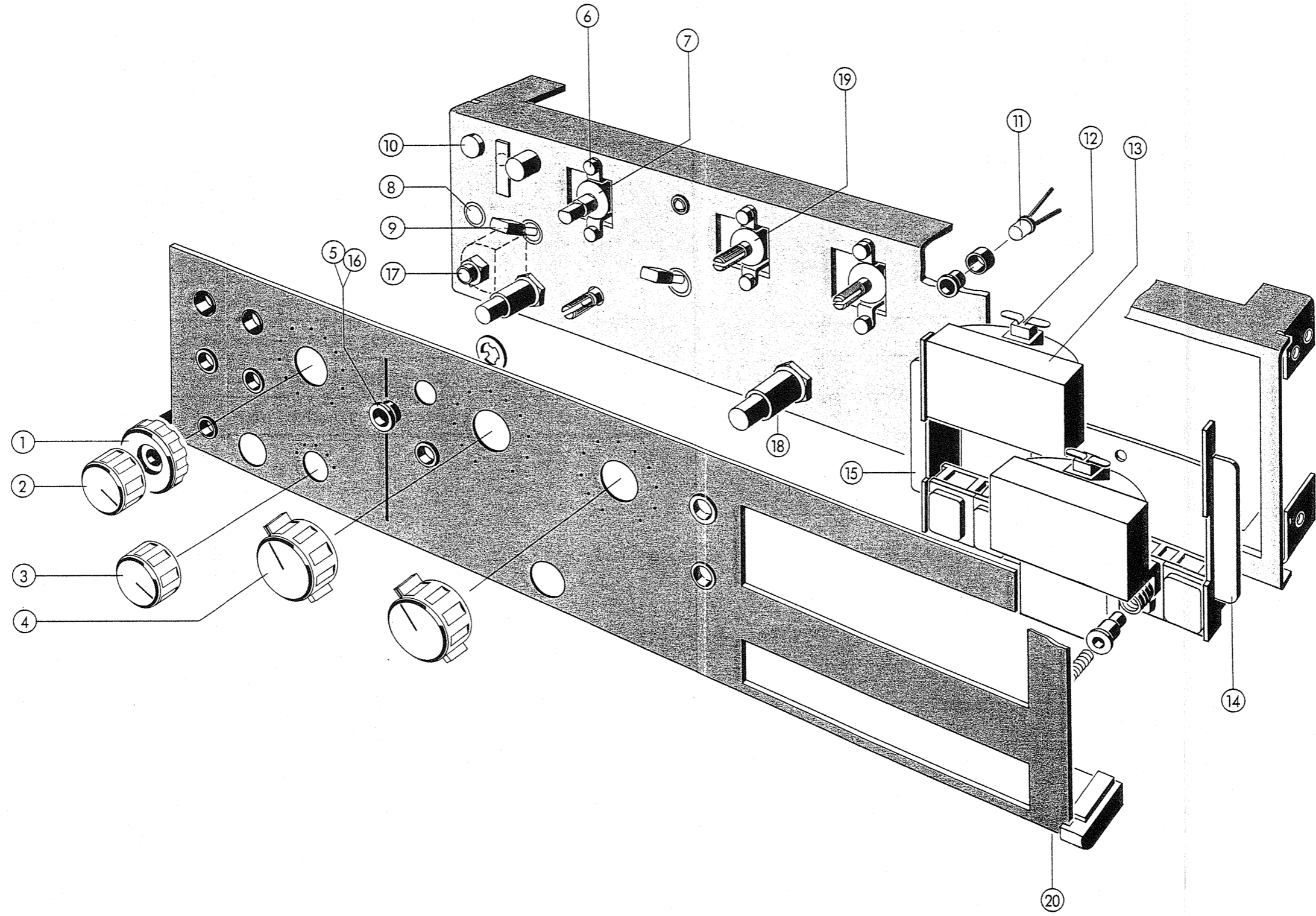
BRAKE SYSTEM



OPERATING SECTION

POS	QTY	ORDER NUMBER	PART NAME	SPECIFICATIONS
1	1	1.721.102.22	Knob, disk type	
2	1	42.01.0313	Knob	
	1	42.01.0265	Cap, dark-grey	D.21
3	1	42.01.0314	Knob	
3	1	42.01.0265	Cap, dark-grey	D.21
4	2	1.177.500.04	Knob	
	2	42.01.0272	Cap, dark-grey	D.28
5	2	1.166.450.03	Lens red	
6	2	21.26.0354	Screw	M3x6
7	1	1.177.200.02	Twin Potmeter	
8	1	55.03.0129	Mains switch, single pole	
9	3	1.011.120.00	Toggle switch	
10	2	1.177.190.03	Button	
11	2	50.04.2114	LED	
12	2	51.02.0142	Lamp type W2, 24V, 1W	
	2	53.99.0124	Lamp socket	
13	2	1.177.205.05	VU-Meter	
14	1	1.177.205.04	Bracket	right
15	1	1.177.205.03	Bracket	left
16	2	1.166.450.02	Lamp bezel	
17	1	54.24.0102	Stereo jack	
18	2	1.177.517.01	Push button UNCAL REC/REPRO	
19	2	1.177.200.01	Potentiometer	
20	1	1.177.512.00	Operating panel, stereo HS	19/38
	1	1.177.519.00	Operating panel, stereo NS	9,5/19
	1	1.177.556.00	Operating panel, mono	
	1	1.177.576.00	Operating panel, Line in/out	

OPERATING SECTION

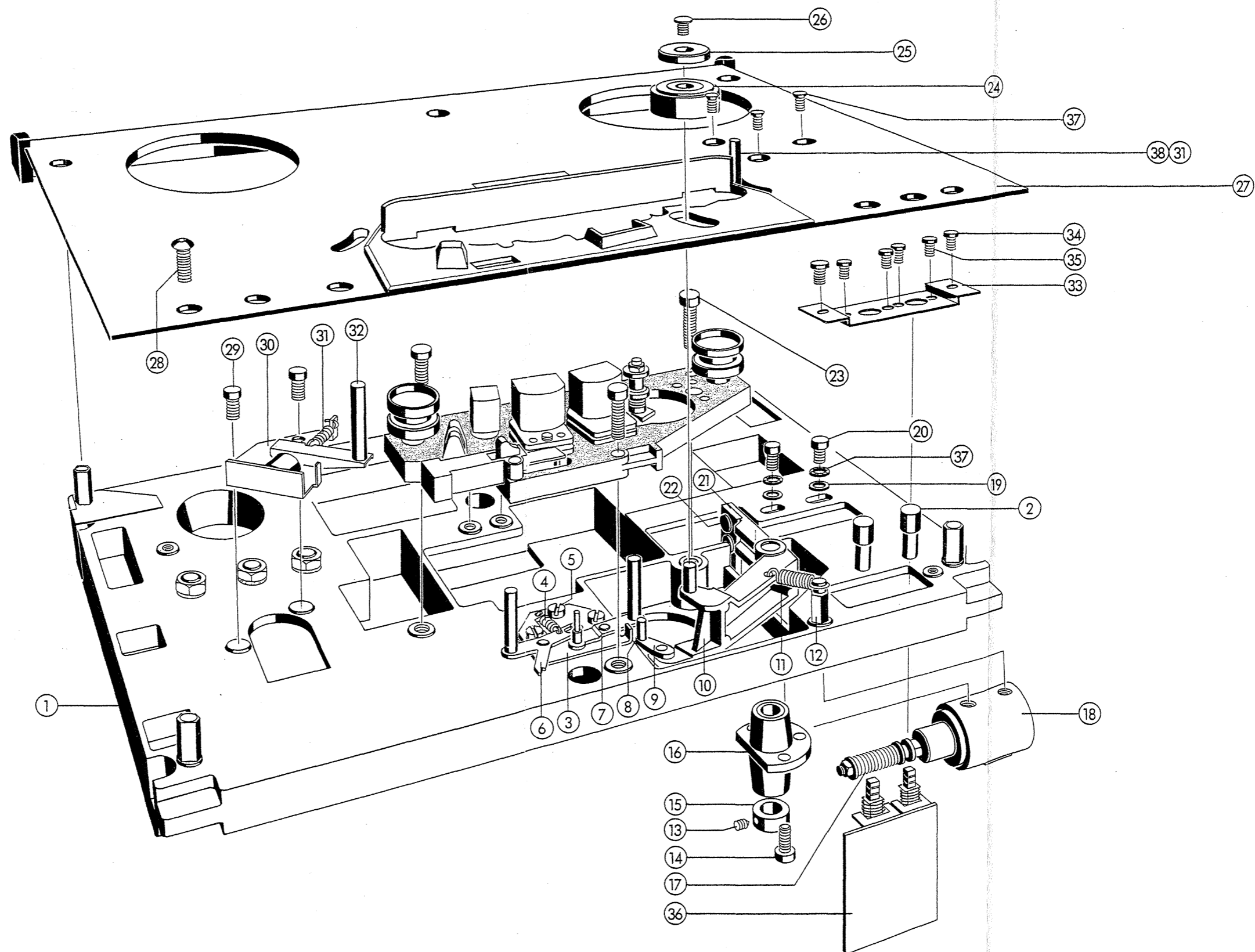


TAPE DRIVE

POS	QTY	ORDER NUMBER	PART NAME	SPECIFICATIONS
1	1	1.177.801.01	Tape drive chassis	
2	2	1.177.100.09	Push button	
3	1	1.177.813.00	Base plate compl.	
4	1	1.010.024.37	Tension spring	
5	3	21.26.0354	Screw	M3x6
6	1	1.177.132.00	Lever left, riveted	
7	1	1.177.811.00	Lever right, riveted	
8	1	1.177.120.01	Dog pin	
9	1	21.26.2354	Screw	M3x6
10	1	1.177.817.00	Pinch roller arm with shaft	
11	1	1.010.025.37	Tension spring	
12	1	1.067.100.06	Anchor pin	
13	1	21.59.5452	Set screw	M4
14	3	21.26.0356	Screw	M3x10
15	1	1.080.112.06	Adjusting ring	
16	1	1.177.125.00	Pinch roller arm bearing	
17	1	1.177.126.00	Plunger compl.	
18	1	1.014.710.00	Pinch roller solenoid, without plunger	
19	2	23.01.3043	Washer	
20	2	21.26.0454	Screw	M4x6
21	1	1.177.817.01	Lever	
22	2	21.26.0455	Screw	M4x8
23	3	21.26.0459	Screw	M4x18
24	1	1.167.178.82	Pinch roller compl.	
25	1	1.177.100.25	Pinch roller cover	
26	1	21.27.2355	Screw	M3x8
27	1	1.177.535.00	Tape transport cover	

28	5	21.51.8455	Screw	M4x8
		1.177.915.00	Tape guide pin	
29	2	21.26.0354	Screw	M3x6
30	1	1.177.916.00	Base plate	
31	2	1.010.025.37	Tension spring	
32	1	1.177.140.02	Guide	
33	1	1.177.701.03	Mounting bracket	
34	2	21.26.0354	Screw	M3x6
35	4	20.21.7153	Screw	
36	1	1.177.893.00	Fader start logic	9,5/19
	1	1.177.894.00	Fader start logic	19/38
	2	1.177.100.07	Push button switch	
37	3	21.51.2354	Screw	M3x6
38	1	1.177.905.00	Guide pin	

TAPE DRIVE

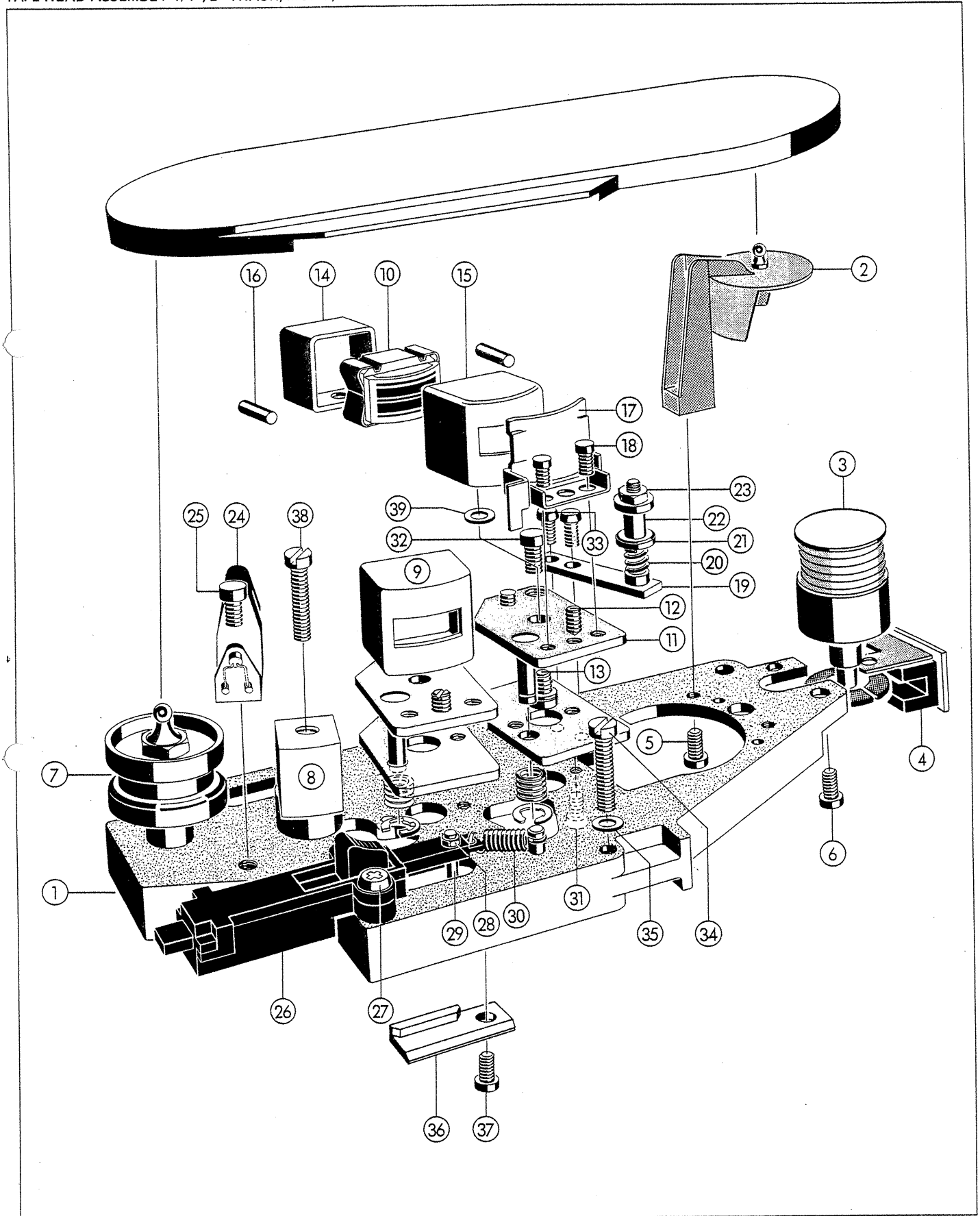


TAPE HEAD ASSEMBLY 1/4", 2-TRACK, MONO, LINE IN/OUT

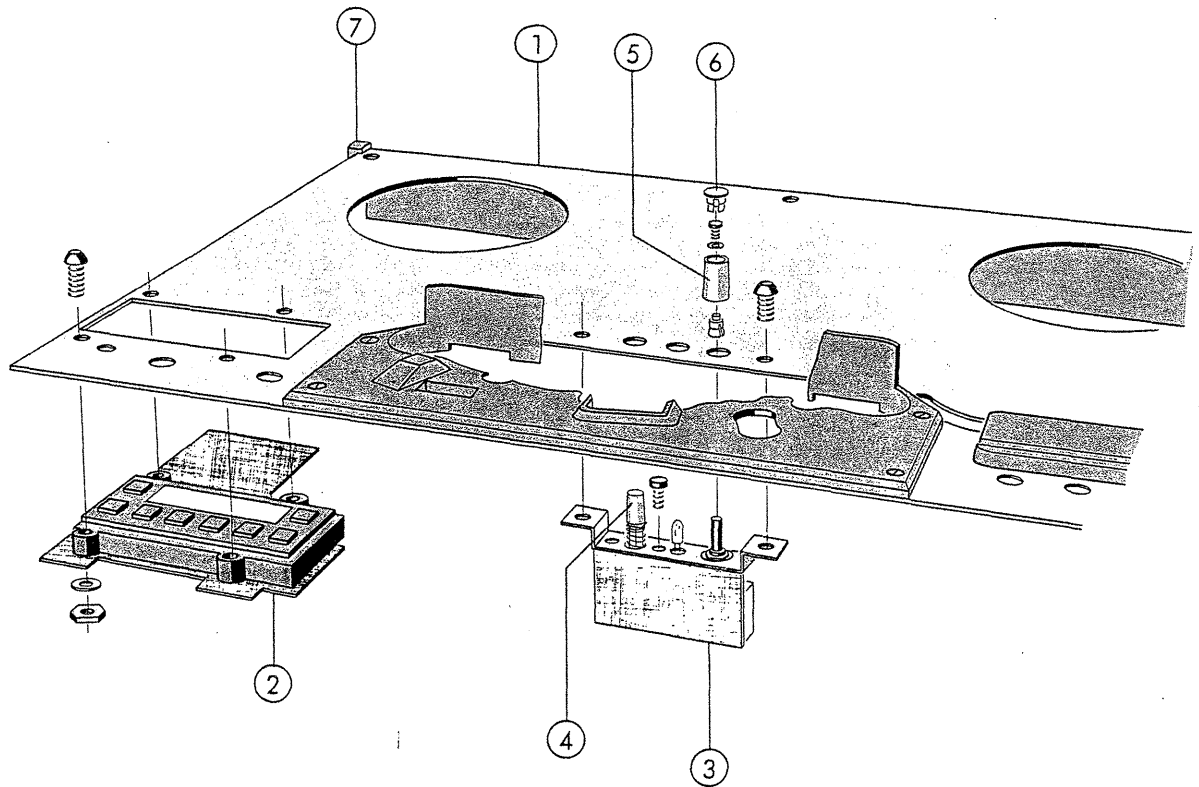
POS	QTY	ORDER NUMBER	PART NAME	SPECIFICATIONS
	1	1.020.325.00	Tape head assembly 1/4", 2-Track compl.	
	1	1.020.326.00	Tape head assembly mono, compl.	
1	1	1.020.325.01	Tape head chassis	
2	1	1.020.323.00	Yoke	
3	1	1.020.324.00	Tacho controller	
4	1	1.020.316.00	Move sensor	
5	1	21.26.0355	Screw	M3x8
6	2	21.26.0355	Screw	M3x8
7	1	41.99.0102	Ball bearing	
8	1	1.116.098.04	Erase head 1/4", 2-Track	
	1	1.116.089.04	Erase head 1/4", mono	
9	1	1.116.022.00	Record head 1/4", 2-Track	
9	1	1.116.012.00	Record head 1/4", mono	
10	1	1.116.027.00	Reproduce head 1/4", 2-Track	
	1	1.116.017.00	Reproduce head 1/4", mono	
11	2	1.020.801.00	Head mounting plate, compl.	

12	4	21.13.6354	Set screw	
13	2	21.14.0355	Screw	M3x7
14	2	1.077.155.05	Head housing, internal	
15	2	1.077.155.06	Head housing, external	
16	4	1.077.155.07	Plastic pin	
17	1	1.020.311.00	Shielding lid compl.	
18	2	21.01.0202	Screw	M2x4
19	1	1.020.310.00	Clamp, riveted	
20	1	1.020.820.12	Pressure spring	
21	2	1.077.145.01	Guide disk	
22	1	1.077.145.02	Spacer sleeve	
23	1	22.01.8030	Nut	M3
24	1	1.020.320.00	Light gate compl.	
25	1	21.26.0354	Screw	M3x6
26	1	1.020.318.00	Edit switch compl.	
27	2	21.26.2357	Screw	M3x12
28	1	22.01.8020	Nut	M2
29	1	1.020.318.04	Pin	
30	1	1.020.820.17	Tension spring	
31	4	21.26.0354	Screw	M3x6
32	2	21.26.0355	Screw	M3x8
33	2	21.26.0354	Screw	M3x6
34	3	21.26.0459	Screw	M3x18
35	3	23.01.1043	Washer	
36	1	1.020.300.07	Guide	
37	1	21.26.0354	Screw	M3x6
38	1	1.116.099.02	Mounting screw	
39	1	1.010.017.23	Washer	

TAPE HEAD ASSEMBLY 1/4", 2-TRACK, MONO, LINE IN/OUT



TAPE TRANSPORT COVER

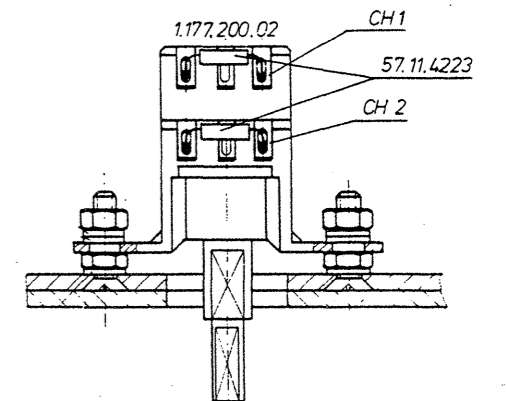
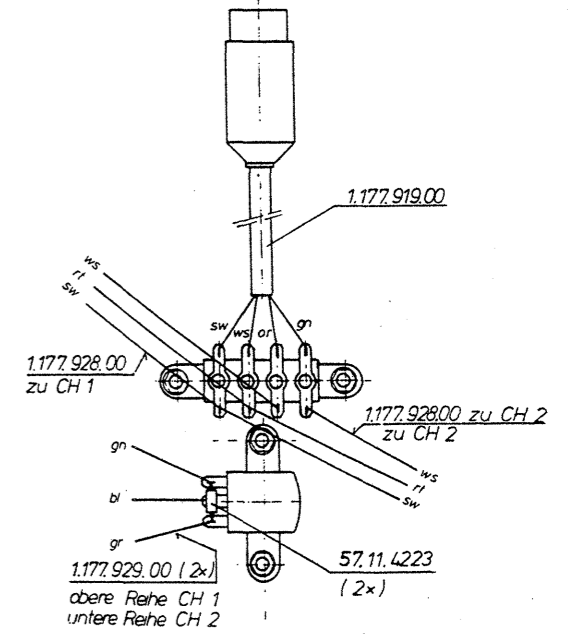
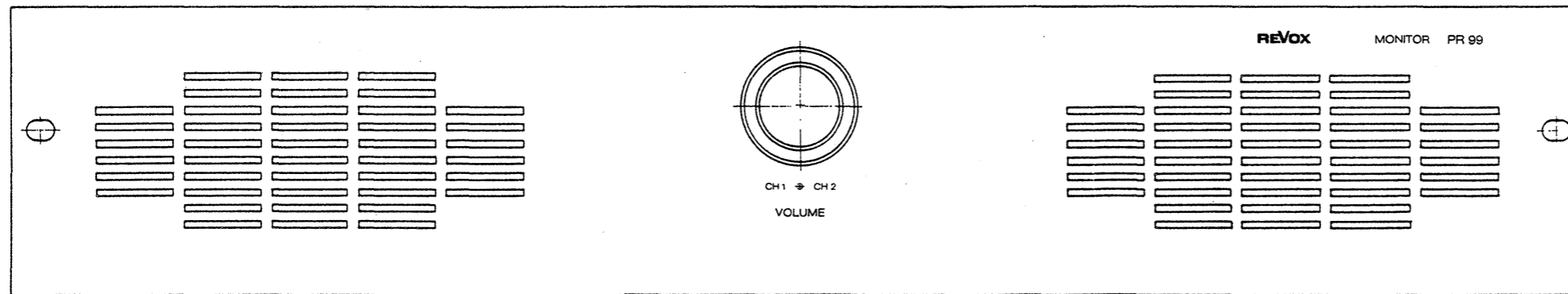
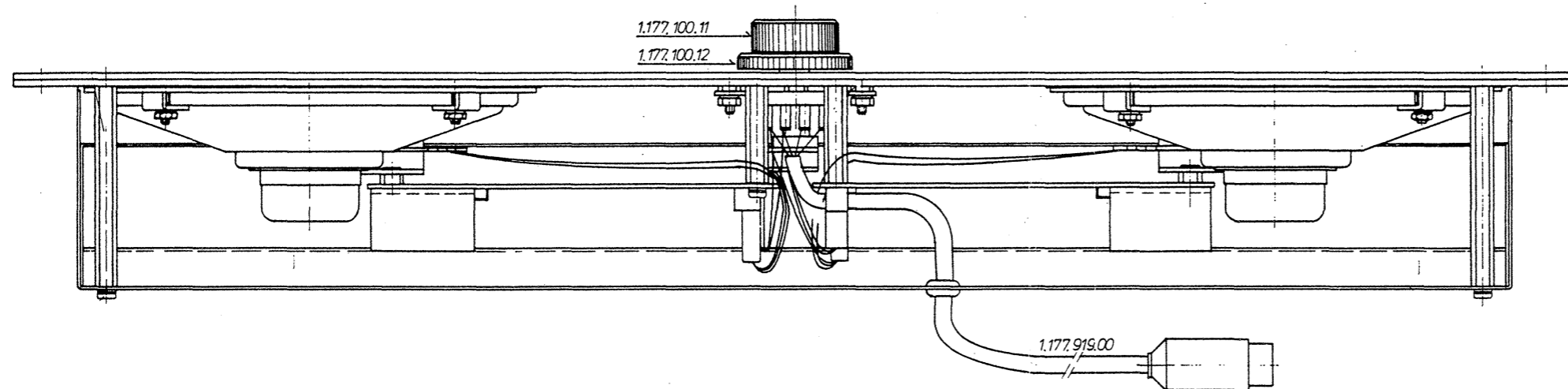
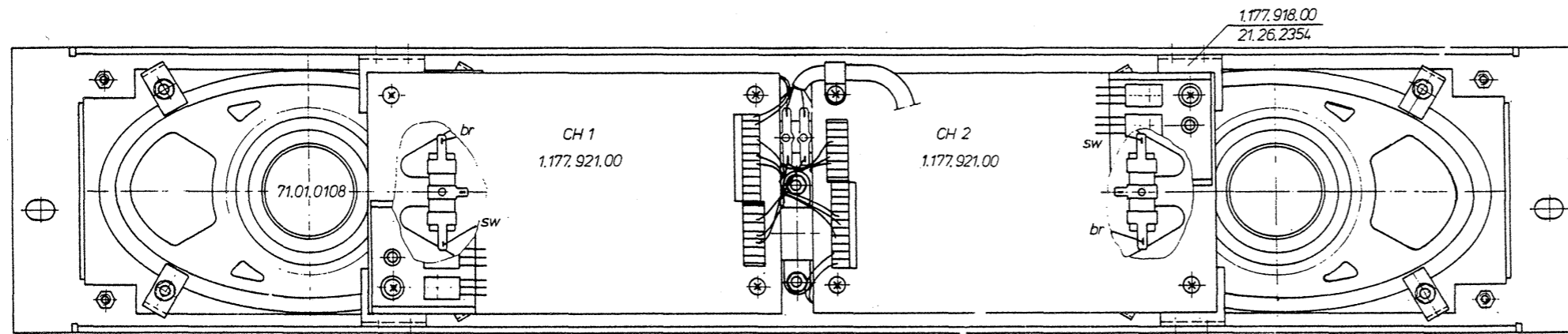


POS	QTY	ORDER NUMBER	PART NAME	SPECIFICATIONS
1	1	1.177.535.00	Tape transport cover	blank
2	1	1.177.750.00	Locator command	
3	1	1.177.966.00	Varispeed control	
4	1	1.710.010.13	Push button	
	1	1.177.100.07	Push button switch	
	1	1.177.965.01	Mounting bracket	
5	1	42.01.0200	Knob	
6	1	42.01.0251	Cap	
7	1	1.177.800.06	Corner	right
	1	1.177.800.07	Corner	left

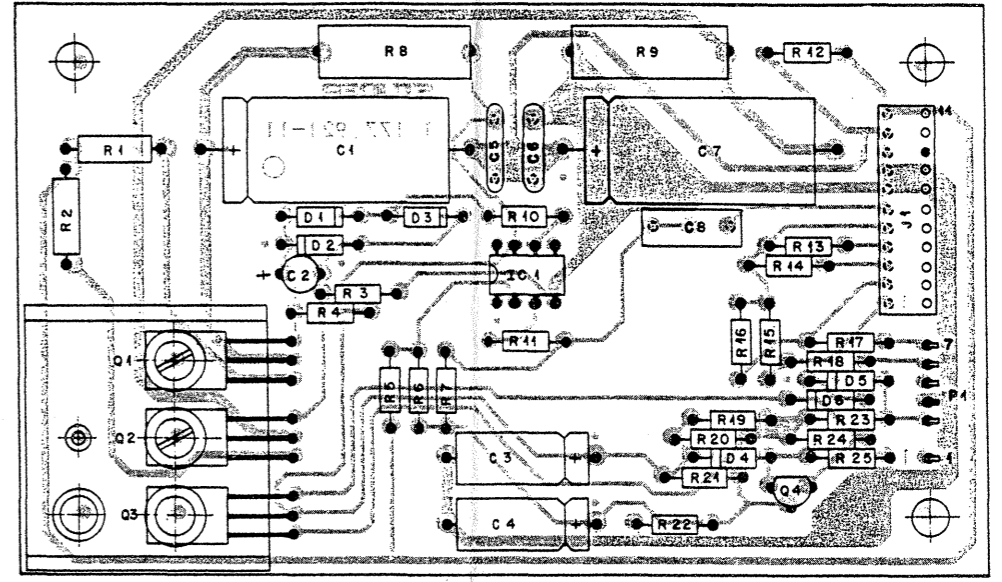
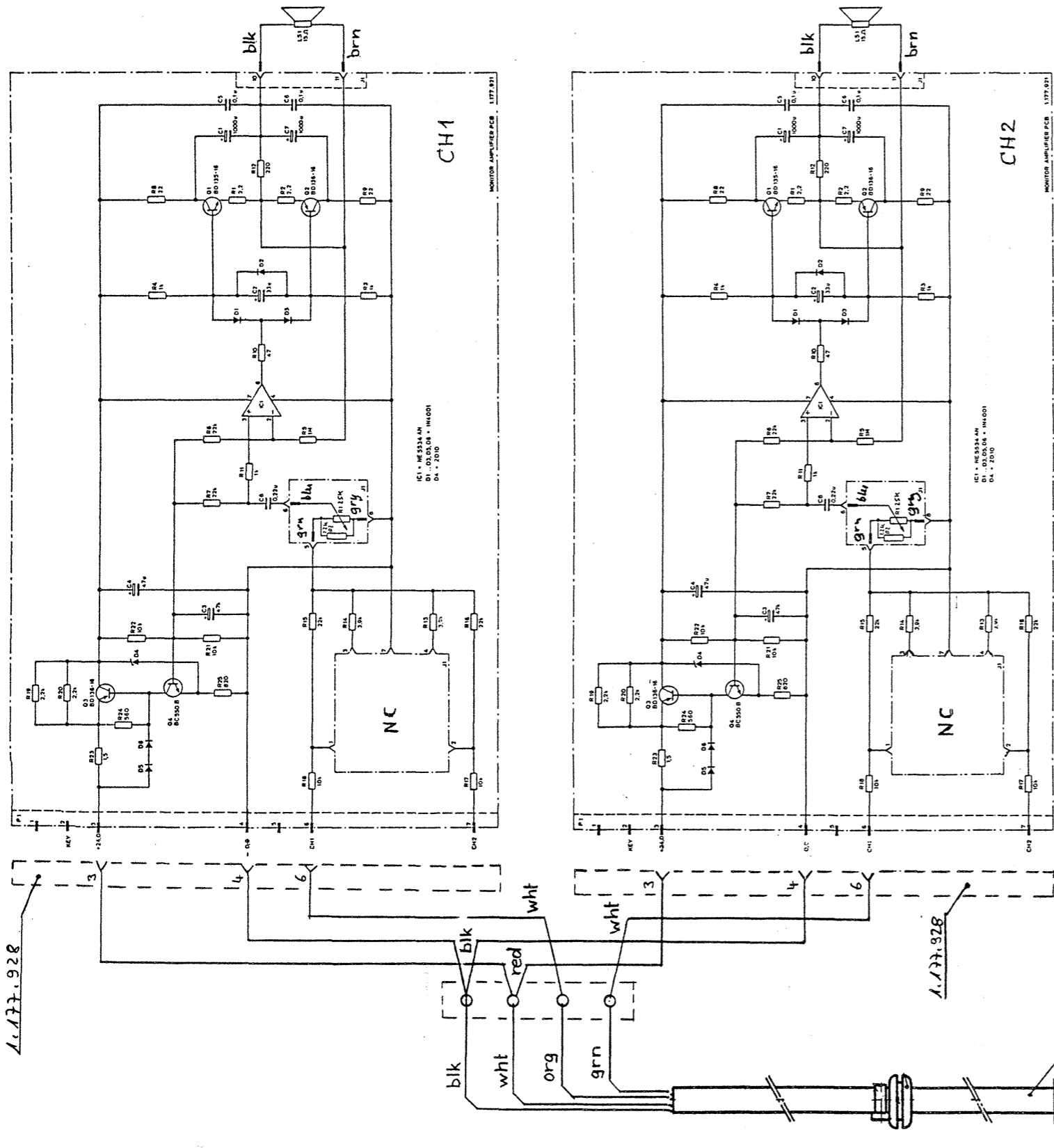
9. SPARE PARTS

CONTENTS	PAGE
TAPE TRANSPORT COVER	9/1
TAPE HEAD ASSEMBLY 1/4", 2-TRACK, MONO, LINE IN/OUT	9/2
TAPE DRIVE	9/4
OPERATING SECTION	9/6
BRAKE SYSTEM	9/8
PUSH BUTTON UNIT	9/10
SPOOLING MOTOR	9/12
CAPSTAN MOTOR	9/14
PR99 MKIII UNIT	9/16
ACCESSORIES	9/16

MONITOR PANEL / 2CH 1.177.927



MONITOR PANEL / 2CH 1.177.927

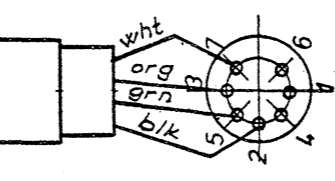


POS NO	PART NO	VALUE	SPECIFICATIONS	EQUIVALENT MFR
C1	58.25.4402	1000µ	-10% 25V EL	
C2	58.30.3330	33µ	-20% 50V TA	
C3	58.25.4470	47µ	-10% 25V EL	
C4	58.25.4470	47µ	-10% 25V EL	
C5	58.32.3104	0.1µ	+80% 25V KER	
C6	58.32.3104	0.1µ	+80% 25V KER	
C7	58.25.4402	1000µ	-10% 25V EL	
C8	62.12.2224	0.22µ	5% 100V MPEP	
DI...3	50.04.0122	1N4001		SI
DR	50.04.1114	2D10		SI
DS...6	50.04.0122	1N4001		SI
IC1	50.05.0244	NE5534AN	OP AMP	
J1	54.04.0291	71 POL	SOCKET STRIP AMP	
J2	54.04.0291	7 POL	SOCKET STRIP AMP	
Q1	50.05.0487	BD135/16	PNP	
Q2	50.03.0510	BD135/16	PNP	
Q3	50.03.0510	BD135/16	PNP	
Q4	50.03.0436	BC107B	PNP	8C107B
R1	57.13.4229	22		.5W
R2	57.13.4229	22		.5W
R3	57.11.4102	1K		
R4	57.11.4102	1K		
R5	57.11.4105	1K		
R6	57.11.4223	22K		
R7	57.11.4223	22K		
R8	57.11.4223	22K		
R9	57.58.5220	22		10% 4W DR
R10	57.11.4470	47		10% 4W DR
R11	57.11.4402	1K		
R12	57.11.4221	220		
R13	57.11.4392	3.9K		
R14	57.11.4392	3.9K		
R15	57.11.4223	22K		
R16	57.11.4223	22K		
R17	57.11.4103	10K		
R18	57.11.4103	10K		
R19	57.11.4222	2.2K		
R20	57.11.4222	2.2K		
R21	57.11.4103	10K		
R22	57.11.4103	10K		

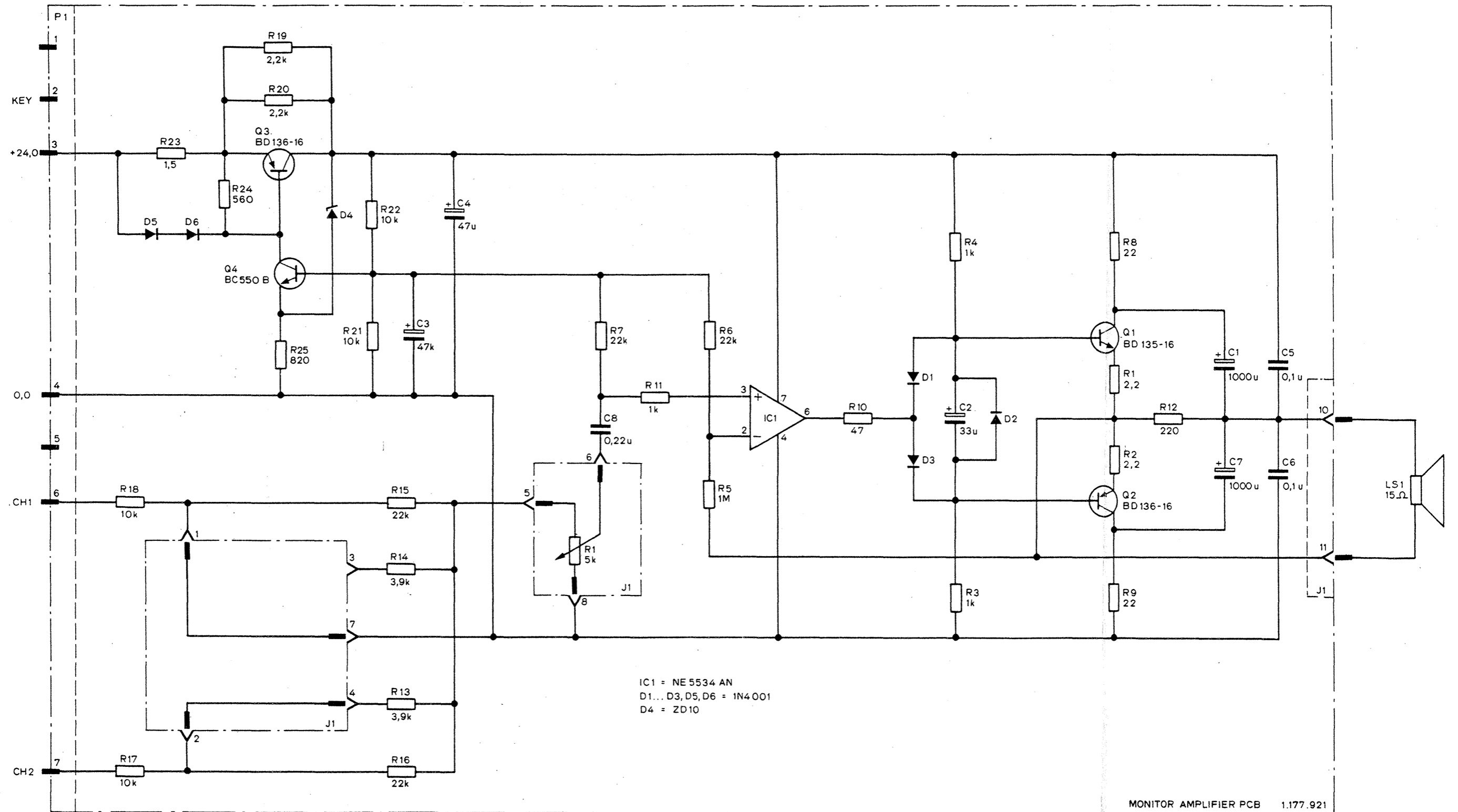
STUDER Monitor-Amplifier 1.177.921-00 PAGE 1 of 2

POS NO	PART NO	VALUE	SPECIFICATIONS	EQUIVALENT MFR
P23	57.11.4459	1.5		
P24	57.11.4561	560		
P25	57.11.4821	820		

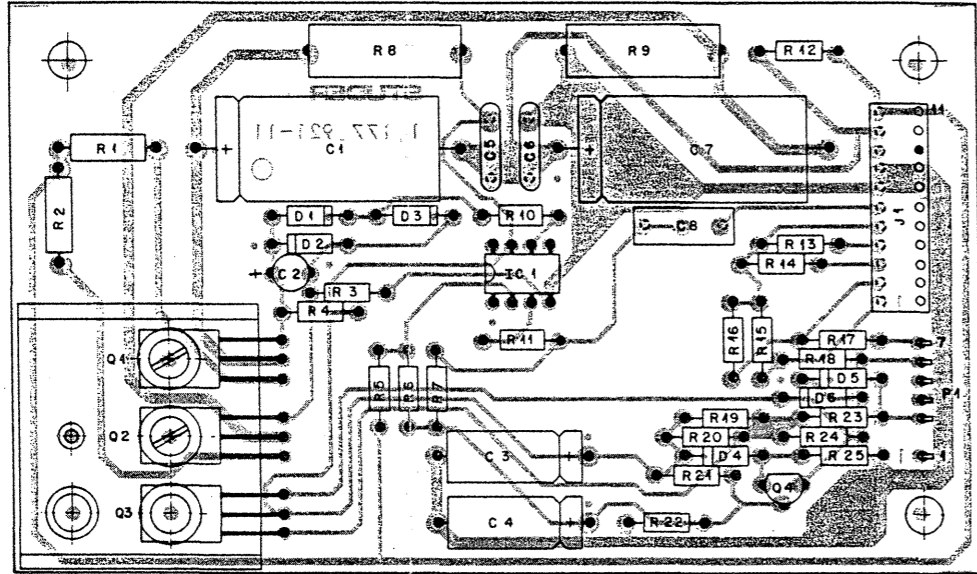
STUDER Monitor-Amplifier 1.177.921.00 PAGE 2 of 2



MONITOR PANEL / MONO 1.177.925



MONITOR PANEL / MONO 1.177.925



POS NO	PART NO	VALUE	SPECIFICATIONS	EQUIVALENT	MFR
C1	59.25.4402	1000H	-10% 25V EL		
C2	59.30.3330	33H	-20% 10V TR		
C3	59.25.4470	47H	-10% 25V EL		
C4	59.25.4470	47H	-10% 25V EL		
C5	59.32.3104	01H	+80% 25V KEP		
C6	59.32.3104	01H	+80% 25V KEP		
C7	59.25.4402	1000H	-10% 25V EL		
C8	59.12.2224	022H	5% 100V MRETP		
D1...3	50.04.0122	1N4001			SI
D4	50.04.1114	2D10			SI
D5...6	50.04.0122	1N4001			SI
IC1	50.05.0244	NE5534PM	OP AMP		
J1	54.01.0391	14 POL	SOCKET STRIP AMP		
P1	54.01.0317	7 POL	PIN STRIP AMP		
Q1	50.03.0485	BD1351M	NPN		
Q2	50.03.0510	BD1361M	PNP		
Q3	50.03.0510	BD1361M	PNP		
Q4	50.03.0436	BC550B	NPN		BC 107B
R1	57.13.4229	22	.5W		
R2	57.13.4229	22	.5W		
R3	57.11.4102	1K			
R4	57.11.4102	1K			
R5	57.11.4105	1K			
R6	57.11.4223	22K			
R7	57.11.4223	22K			
R8	57.56.5220	22	10% 4W DR		
R9	57.56.5220	22	10% 4W DR		
R10	57.11.4470	47			
R11	57.11.4102	1K			
R12	57.11.4221	220			
R13	57.11.4392	39K			
R14	57.11.4392	39K			
R15	57.11.4223	22K			
R16	57.11.4223	22K			
R17	57.11.4103	10K			
R18	57.11.4103	10K			
R19	57.11.4222	22K			
R20	57.11.4222	22K			
R21	57.11.4103	10K			
R22	57.11.4103	10K			

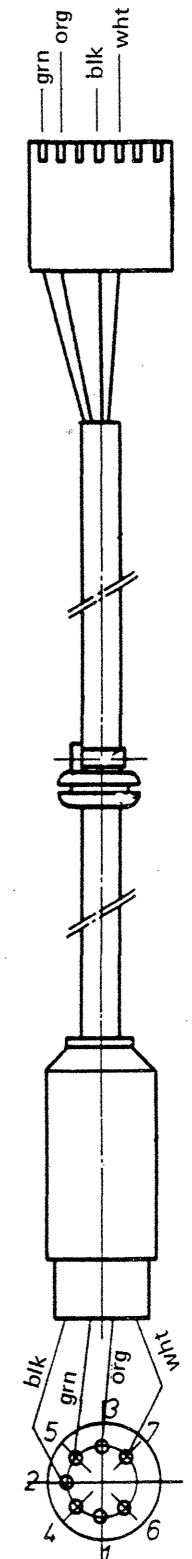
29.4.81 W. B. H. G.
4.12.80

POS NO	PART NO	VALUE	SPECIFICATIONS	EQUIVALENT	MFR
R23	57.11.4159	1.5			
R24	57.11.4561	560			
R25	57.11.4821	820			

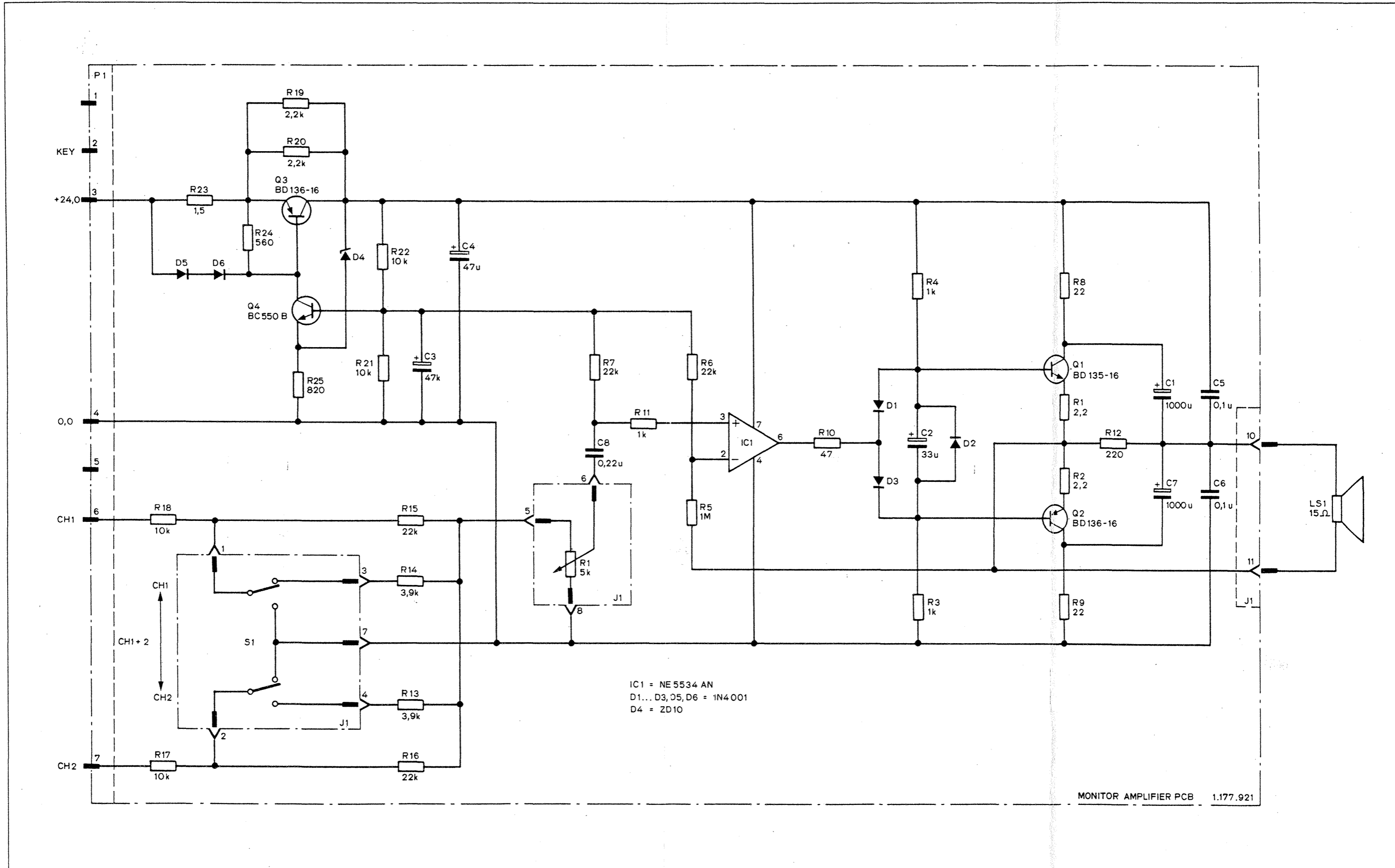
5.4.83 W. B. H. G.
4.12.80

IND	POS NO	PART NO	VALUE	SPECIFICATIONS/EQUIVALENT	MFR
A	1	1.177.921.00		Monitor Amplifier	
LS	1	71.01.0109	15ohms	Loudspeaker	
P	1	1.177.200.01	5Kohms	Potmeter	
IND	DATE	NAME			
④					
③					
②					
①					
○	20.2.83	W. B. H. G.			
STUDER Monitor Panel Mono PL 1.177.925.00 PAGE 1 of 1					

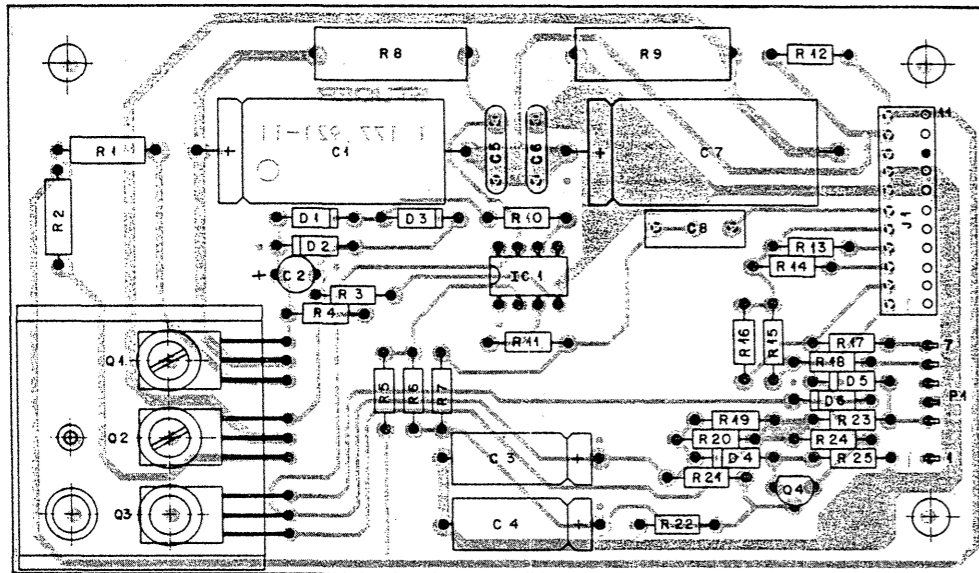
WIRE HARNESS TO MONITOR PANEL 1.177.923



MONITOR PANEL / STEREO 1.177.920



MONITOR PANEL / STEREO 1.177.920



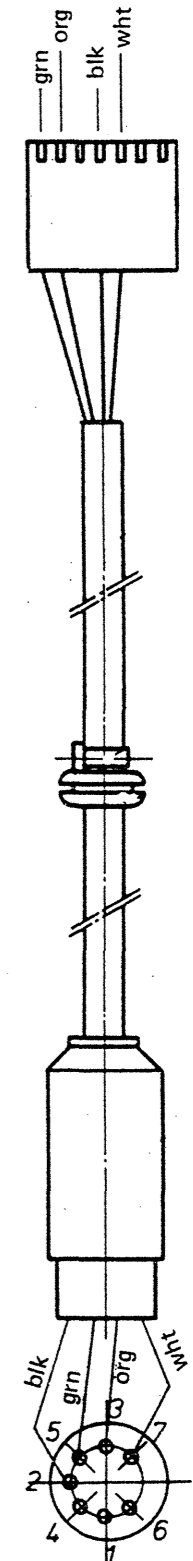
POS NO	PART NO	VALUE	SPECIFICATIONS	EQUIVALENT	MFR
C1	59.25.4402	1000M	-10% 25V EL		
C2	59.30.3330	33M	-20% 10V 7H		
C3	59.25.4470	47M	-10% 25V EL		
C4	59.25.4470	47M	-10% 25V EL		
C5	59.32.3104	0.1M	+80% 25V KER		
C6	59.32.3104	0.1M	+80% 25V KER		
C7	59.25.4402	1000M	-10% 25V EL		
C8	59.12.2224	0.22M	5% 100V HPETP		
D1...3	50.04.0422	1N4001		SI	
D4	50.04.1114	2D70		SI	
D5...6	50.04.0422	1N4001		SI	
IC1	50.05.0244	NE5534A	OP AMP		
J1	54.01.0291	14 POL	SOCKET STRIP AMP		
J2	54.01.0317	7 POL	PIN STRIP AMP		
Q1	50.03.0485	BD135/16	NPN		
Q2	50.03.0510	BD135/16	NPN		
Q3	50.03.0510	BD135/16	NPN		
Q4	50.03.0436	BC550B	NPN	BC 107B	
R1	57.13.4229	22	.5W		
R2	57.13.4229	22	.5W		
R3	57.11.4102	1K			
R4	57.11.4102	1K			
R5	57.11.4105	1M			
R6	57.11.4223	22K			
R7	57.11.4223	22K			
R8	57.56.3220	22	10% 4W DR		
R9	57.56.3220	22	10% 4W DR		
R10	57.11.4470	47			
R11	57.11.4102	1K			
R12	57.11.4221	220			
R13	57.11.4392	39K			
R14	57.11.4392	39K			
R15	57.11.4223	22K			
R16	57.11.4223	22K			
R17	57.11.4103	10M			
R18	57.11.4103	10M			
R19	57.11.4223	22K			
R20	57.11.4223	22K			
R21	57.11.4102	10K			
R22	57.11.4103	10K			

POS NO	PART NO	VALUE	SPECIFICATIONS	EQUIVALENT	MFR
P23	57.11.4159	1.5			
P24	57.11.4541	540			
P25	57.11.4821	820			

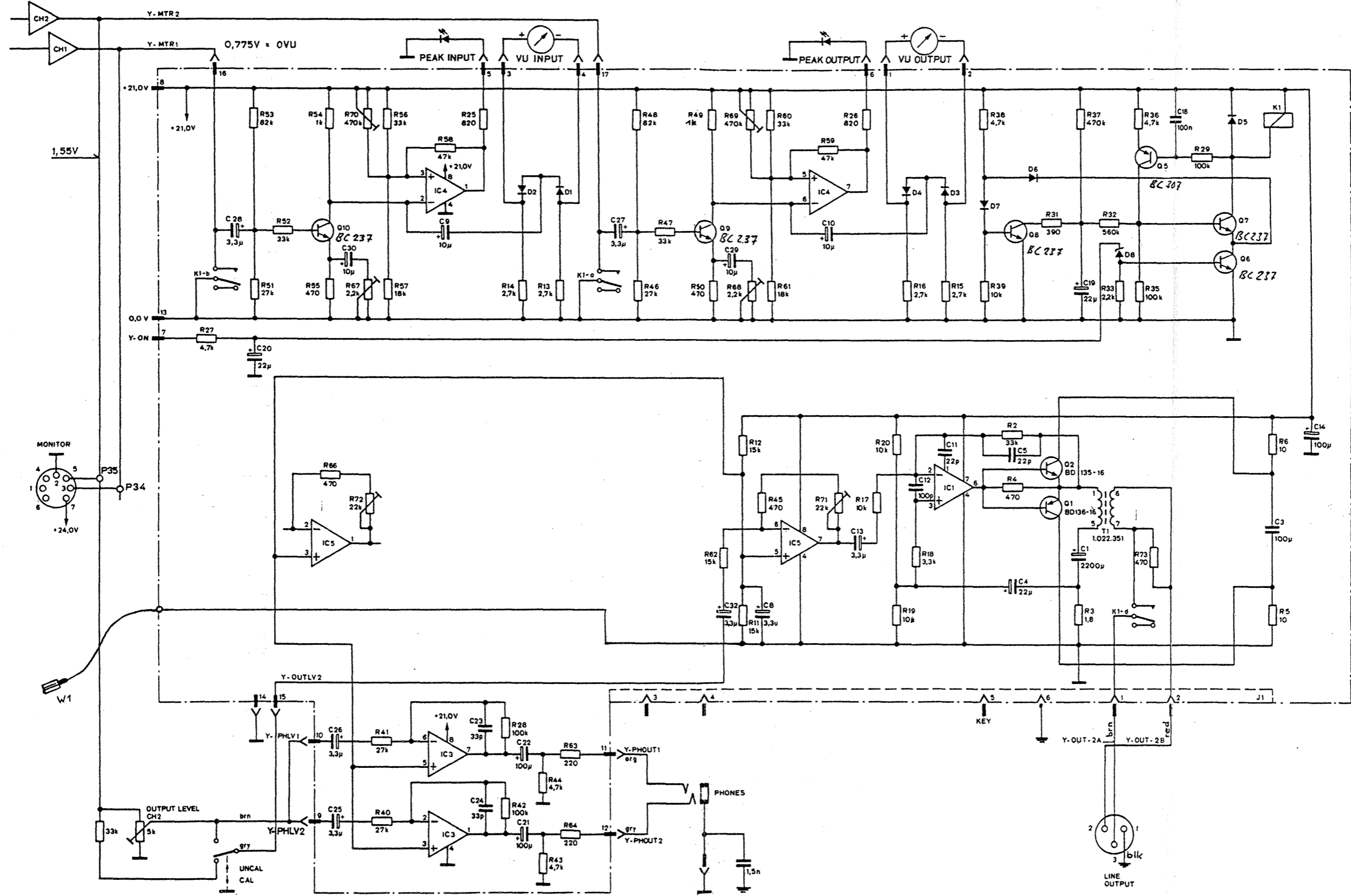
IND	POS NO	PART NO	VALUE	SPECIFICATIONS/EQUIVALENT	MFR
	A1	1.177.921.00		Monitor Amplifier	
	LS1	71.01.0108	15ohm	Loudspeaker	
	R1	1.177.200.01	5K	Potmeter	
	SA	55.01.0109	2XON	Switch	

IND	DATE	NAME
④		
③		
②		
①		
○	30.2.1981	W. K. H. H.

WIRE HARNESS TO MONITOR PANEL 1.177.923



OUTPUT AMPLIFIER PCB / MONO 1.177.883



6.9.88 M

STUDER

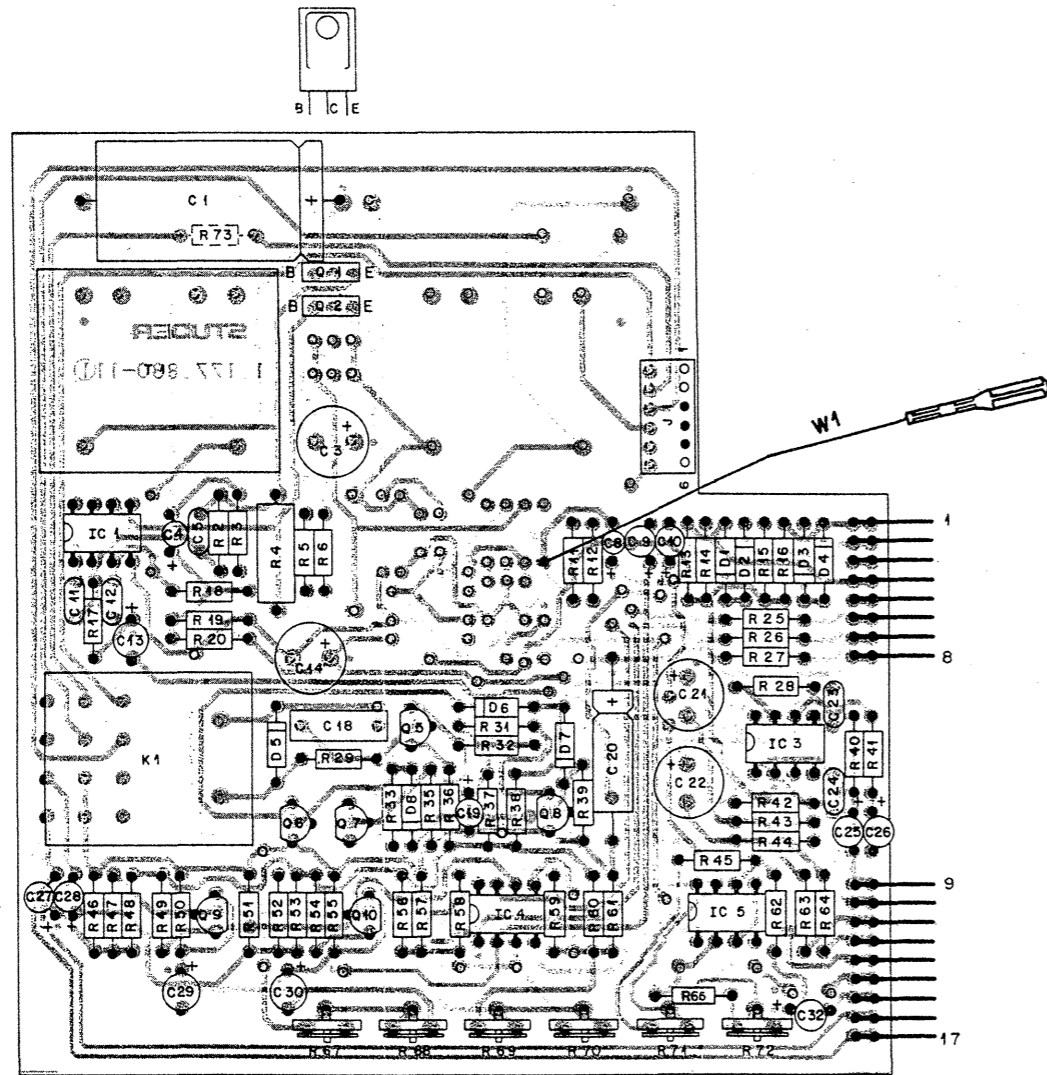
PR 99 MKIII

OUTPUT AMPLIFIER MONO

SC 1.177.883-00

PAGE 1 OF 1

OUTPUT AMPLIFIER PCB / MONO 1.177.883



IND.	POS.-NO.	PART NO.	VALUE	SPECIFICATIONS / EQUIVALENT	MANUF.
C.....1	59.25-3222	2200 uF	-20%, 25V, E1		
C.....2		not connected			
C.....3	59.22-5101	100 uF	-20%, 25V, E1		
C.....4	59.30-4220	22 uF	-20%, 25V, Ta		
C.....5	59.32-0220	22 pF	10%, 25V, Cer		
C.....6		not connected			
C.....7		not connected			
C.....8	59.30-4339	3.3 uF	-20%, 25V, Ta		
C.....9	59.30-4100	10 uF	-20%, 25V, Ta		
C.....10	59.30-4100	10 uF	-20%, 25V, Ta		
C.....11	59.32-0220	22 pF	10%, 25V, Cer		
C.....12	59.34-4101	100 pF	10%, 25V, Cer		
C.....13	59.30-4339	3.3 uF	-20%, 25V, Ta		
C.....14	59.22-5101	100 uF	-20%, 25V, E1		
C.....15		not connected			
C.....16		not connected			
C.....17		not connected			
C.....18	59.31-1104	100 nF	10%, 25V, NPEPT		
C.....19	59.30-4220	22 uF	-20%, 25V, Ta		
C.....20	59.25-5220	22 uF	-20%, 40V, E1		
C.....21	59.22-4101	100 uF	-20%, 16V, E1		
C.....22	59.22-4101	100 uF	-20%, 16V, E1		
C.....23	59.32-1330	33 pF	10%, 25V, Cer		
C.....24	59.32-1330	33 pF	10%, 25V, Cer		
C.....25	59.30-4339	3.3 uF	-20%, 25V, Ta		
C.....26	59.30-4339	3.3 uF	-20%, 25V, Ta		
C.....27	59.30-4339	3.3 uF	-20%, 25V, Ta		
C.....28	59.30-4339	3.3 uF	-20%, 25V, Ta		
C.....29	59.30-4100	10 uF	-20%, 25V, Ta		
C.....30	59.30-4100	10 uF	-20%, 25V, Ta		
C.....31		not connected			
C.....32	59.30-4339	3.3 uF	-20%, 25V, Ta		
D.....1	50.04-0953	AA 143			
D.....2	50.04-0953	AA 143			
D.....3	50.04-0953	AA 143			
D.....4	50.04-0953	AA 143			

STUDER (00) 88-09-05 OUTPUT AMPLIFIER MONO A PL 1.177.883-00 PAGE 1

IND.	POS.-NO.	PART NO.	VALUE	SPECIFICATIONS / EQUIVALENT	MANUF.
R.....44	57.11-3472	4.7 kOhm	5%, .25W, MF		
R.....45	57.11-3471	470 Ohm	5%, .25W, MF		
R.....46	57.11-3273	27 kOhm	5%, .25W, MF		
R.....47	57.11-3333	33 kOhm	5%, .25W, MF		
R.....48	57.11-3823	82 kOhm	5%, .25W, MF		
R.....49	57.11-3102	1 kOhm	5%, .25W, MF		
R.....50	57.11-3471	470 Ohm	5%, .25W, MF		
R.....51	57.11-3273	27 kOhm	5%, .25W, MF		
R.....52	57.11-3333	33 kOhm	5%, .25W, MF		
R.....53	57.11-3823	82 kOhm	5%, .25W, MF		
R.....54	57.11-3102	1 kOhm	5%, .25W, MF		
R.....55	57.11-3471	470 Ohm	5%, .25W, MF		
R.....56	57.11-3333	33 kOhm	5%, .25W, MF		
R.....57	57.11-3183	18 kOhm	5%, .25W, MF		
R.....58	57.11-3473	47 kOhm	5%, .25W, MF		
R.....59	57.11-3473	47 kOhm	5%, .25W, MF		
R.....60	57.11-3333	33 kOhm	5%, .25W, MF		
R.....61	57.11-3183	18 kOhm	5%, .25W, MF		
R.....62	57.11-3153	15 kOhm	5%, .25W, MF		
R.....63	57.11-3221	220 Ohm	5%, .25W, MF		
R.....64	57.11-3221	220 Ohm	5%, .25W, MF		
R.....65	57.11-3471	470 Ohm	5%, .25W, MF		
R.....66	58-02-4222	2.2 kOhm	20%, .1 W, PCSCH		
R.....67	58-02-4222	2.2 kOhm	20%, .1 W, PCSCH		
R.....68	58-02-4104	100 kOhm	20%, .1 W, PCSCH		
R.....69	58-02-4104	100 kOhm	20%, .1 W, PCSCH		
R.....70	58-02-4223	22 kOhm	20%, .1 W, PCSCH		
R.....71	58-02-4223	22 kOhm	20%, .1 W, PCSCH		
R.....72	58-02-4223	22 kOhm	20%, .1 W, PCSCH		
R.....73	57.11-3471	470 Ohm	5%, .25W, MF		
R.....74		not connected			
T.....1	1-022-351-00	1:2:7	Trafo	not connected	
W.....1	1.177-883-93		Wire List		

STUDER (00) 88-09-05 OUTPUT AMPLIFIER MONO A PL 1.177.883-00 PAGE 4

IND.	POS.-NO.	PART NO.	VALUE	SPECIFICATIONS / EQUIVALENT	MANUF.
D.....5	50.04-0125	1N4448			
D.....6	50.04-0125	1N4448			
D.....7	50.04-0125	1N4448			
D.....8	50.04-1109	Z 20 V	5%, 0.4W		
IC.....1	50-05-0144	LM 301 AN		OP AMP	Mot
IC.....2		not connected			
IC.....3	50-09-0107	RC 4559		Dual Op. Amp.	Ra+TI
IC.....4	50-09-0107	RC 4559		Dual Op. Amp.	Ra+TI
IC.....5	50-09-0107	RC 4559		Dual Op. Amp.	Ra+TI
J.....1	54-91-0216	6-Pole		CIS-Socket-Strip	AMP
K.....1	56-04-0120	PZ4		Relais	
MP.....1	1.177.880-11			OUTPUT AMPLIFIER PCB	St
P.....1	94-01-0270	8-Pole		Cis Pin Strip	AMP
P.....2	94-01-0270	9-Pole		Cis Pin Strip	AMP
U.....1	50-03-0510	BD 136-1e		PNP	ITT-TI
U.....2	50-03-0495	BD 135-1e		NPN	ITT-TI
U.....3		not connected			
U.....4		not connected			
U.....5	50-03-0515	BC 307		PNP	ITT-TI
U.....6	50-03-0436	BC 237		NPN	ITT-TI
U.....7	50-03-0436	BC 237		NPN	ITT-TI
U.....8	50-03-0436	BC 237		NPN	ITT-TI
U.....9	50-03-0436	BC 237		NPN	ITT-TI
U.....10	50-03-0436	BC 237		NPN	ITT-TI
R.....1				not connected	
R.....2	57.11.3333	33 kOhm	5%, .25W, MF		
R.....3	57.11.3189	1.8 Ohm	5%, .25W, MF		
R.....4	57.11.3471	470 Ohm	5%, .25W, MF		
R.....5	57.11.3100	10 Ohm	5%, .25W, MF		
R.....6	57.11.3100	10 Ohm	5%, .25W, MF		

Cer=Ceramic; E1=Electrolytic; Ta=Tantalum;
 MF=Metal Film; PCSCH=Pot.Meter
 MANUFACTURER: Mot=Motorola; TI=Texas Instruments; Ra=Raytheon
 St=Studer

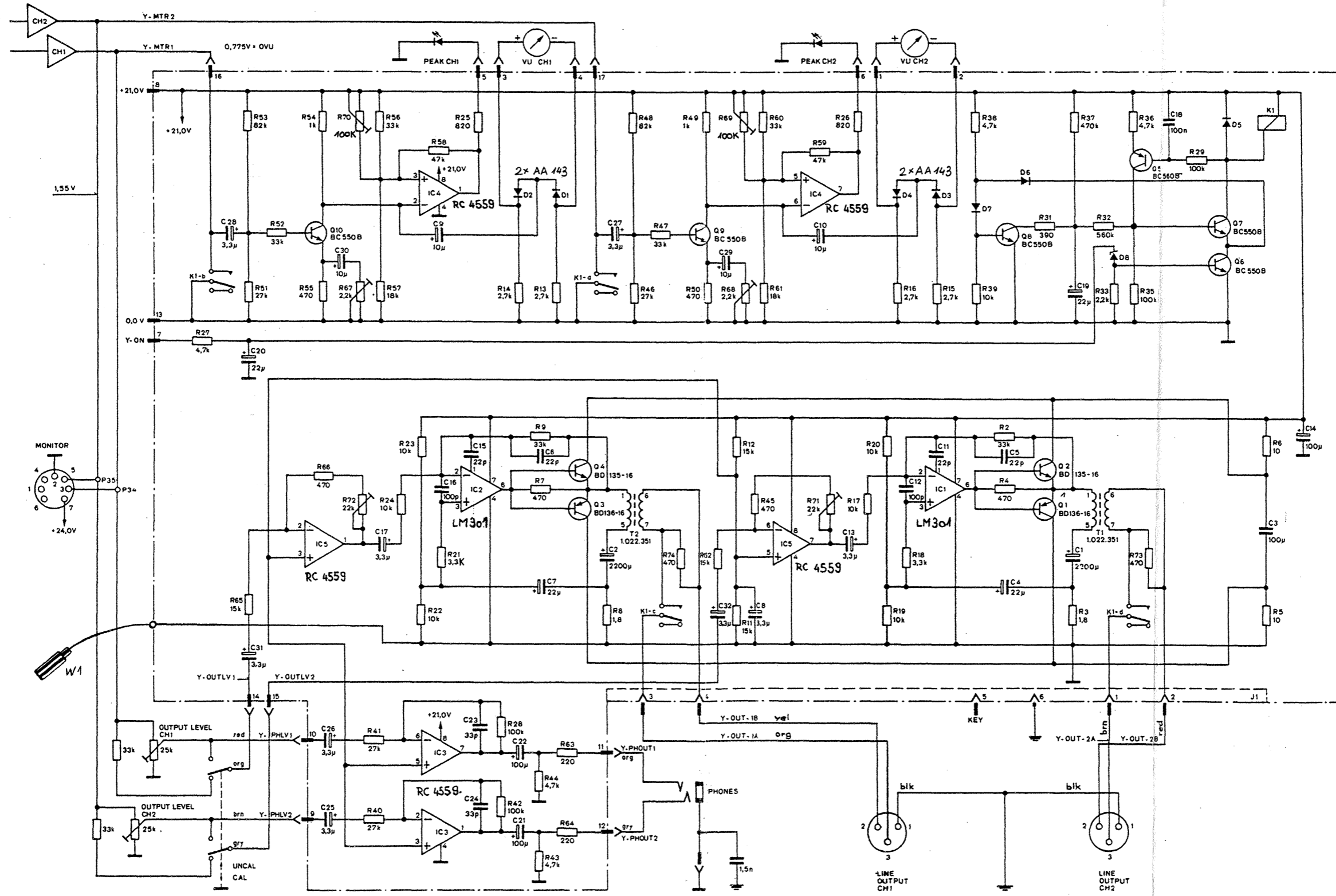
ORIG 88-09-05

STUDER (00) 88-09-05 OUTPUT AMPLIFIER MONO A PL 1.177.883-00 PAGE 5

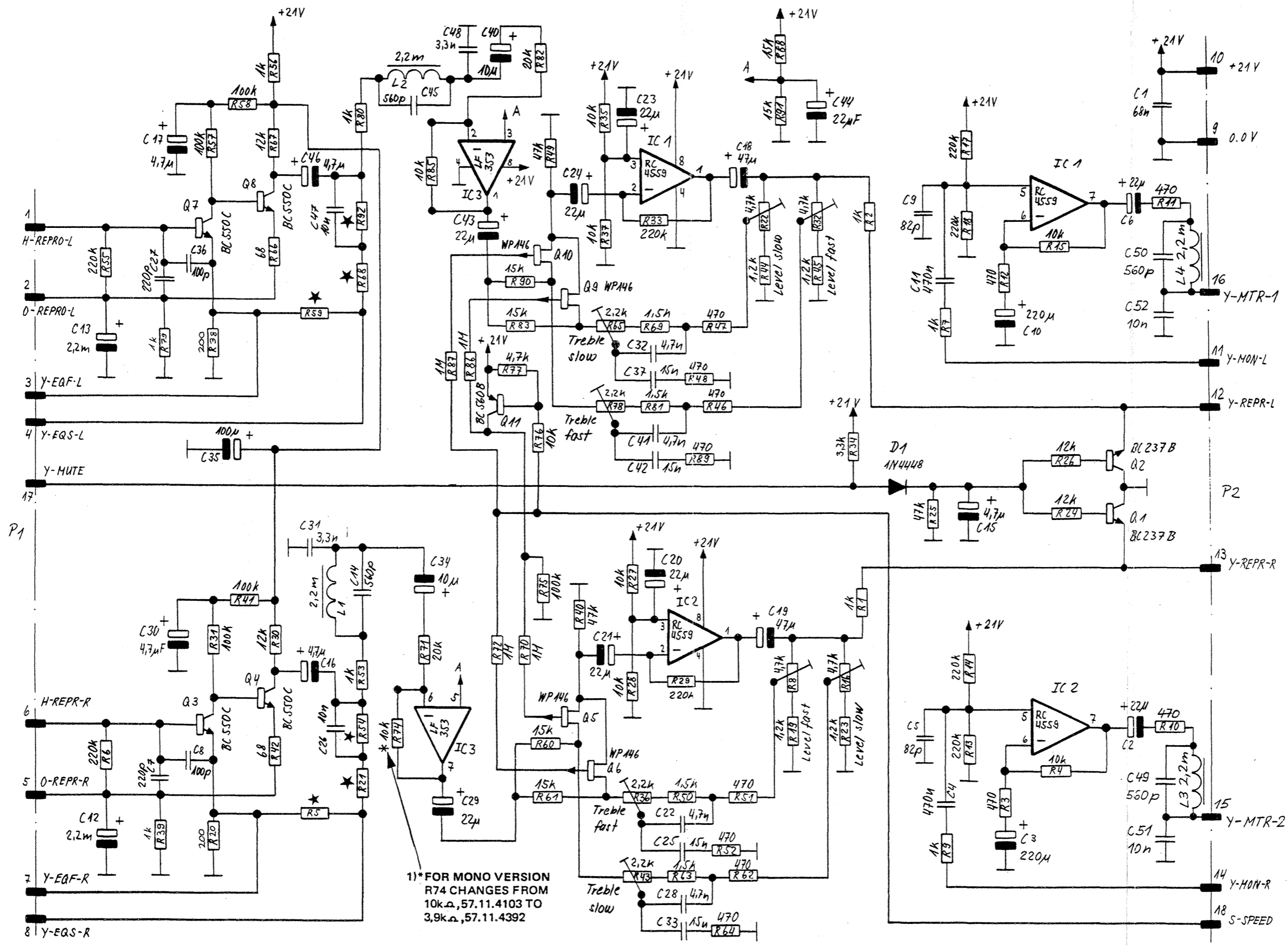
IND.	POS.-NO.	PART NO.	VALUE	SPECIFICATIONS / EQUIVALENT	MANUF.
R.....7				not connected	
R.....8				not connected	
R.....9				not connected	
R.....10				not connected	
R.....11	57.11.3153	15 kOhm	5%, .25W, MF		
R.....12	57.11.3153	15 kOhm	5%, .25W, MF		
R.....13	57.11.3272	2.7 kOhm	5%, .25W, MF		
R.....14	57.11.3272	2.7 kOhm	5%, .25W, MF		
R.....15	57.11.3272	2.7 kOhm	5%, .25W, MF		
R.....16	57.11.3272	2.7 kOhm	5%, .25W, MF		
R.....17	57.11.3103	10 kOhm	5%, .25W, MF		
R.....18	57.11.3332	3.3 kOhm	5%, .25W, MF		
R.....19	57.11.3103	10 kOhm	5%, .25W, MF		
R.....20	57.11.3103	10 kOhm	5%, .25W, MF		
R.....21				not connected	
R.....22				not connected	
R.....23				not connected	
R.....24				not connected	
R.....25	57.11.3821	820 Ohm	5%, .25W, MF		
R.....26	57.11.3821	820 Ohm	5%, .25W, MF		
R.....27	57.11.3472	4.7 kOhm	5%, .25W, MF		
R.....28	57.11.3104	100 kOhm	5%, .25W, MF		
R.....29	57.11.3104	100 kOhm	5%, .25W, MF		
R.....30				not connected	
R.....31	57.11.3391	390 Ohm	5%, .25W, MF		
R.....32	57.11.3564	960 kOhm	5%, .25W, MF		
R.....33	57.11.3222	2.2 kOhm	5%, .25W, MF		
R.....34				not connected	
R.....35	57.11.3104	100 kOhm	5%, .25W, MF		
R.....36	57.11.3472	4.7 kOhm	5%, .25W, MF		
R.....37	57.11.3474	470 kOhm	5%, .25W, MF		
R.....38	57.11.3472	4.7 kOhm	5%, .25W, MF		
R.....39	57.11.3103	10 kOhm	5%, .25W, MF		
R.....40	57.11.3273	27 kOhm	5%, .25W, MF		
R.....41	57.11.3273	27 kOhm	5%, .25W, MF		
R.....42	57.11.3104	100 kOhm	5%, .25W, MF		
R.....43	57.11.3472	4.7 kOhm	5%, .25W, MF		

STUDER (00) 88-09-05 OUTPUT AMPLIFIER MONO A PL 1.177.883-00 PAGE 3

OUTPUT AMPLIFIER PCB 1.177.882



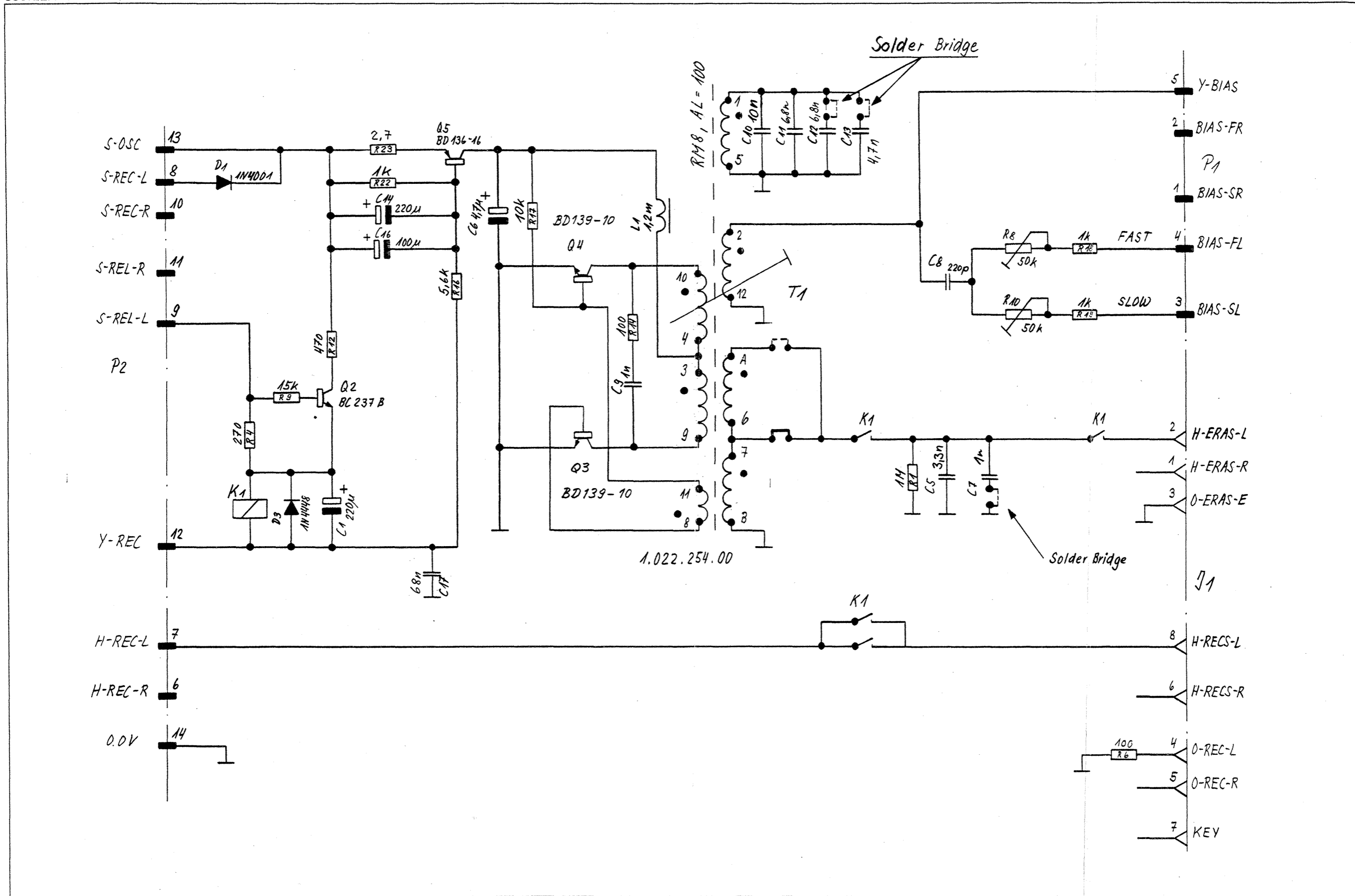
REPRODUCE AMPLIFIER PCB (NAB 3 3/4-7 1/2 ips) 1.177.875-82 / (NAB 7 1/2-15 ips) 1.177.876-82 / (IEC 7 1/2-15 ips) 1.177.877-82



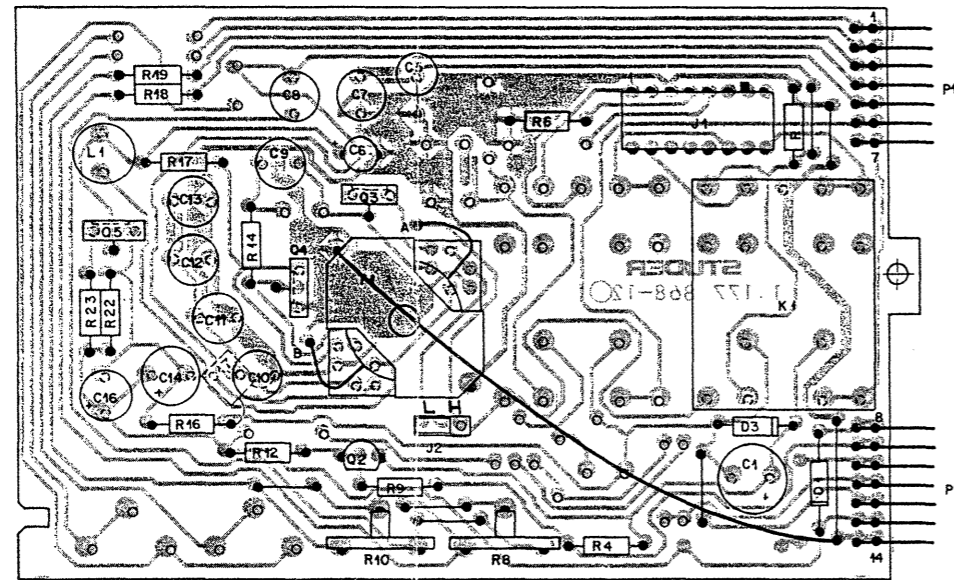
11* FOR MONO VERSION
R74 CHANGES FROM
10kΩ, 57.11.4103 TO
3.9kΩ, 57.11.4392

*SEE PART-LIST

OSCILLATOR PCB / MONO 1.177.867-82



OSCILLATOR PCB / MONO 1.177.867-82



IND.	POS.-NO.	PART NO.	VALUE	SPECIFICATIONS / EQUIVALENT	MANUF.
	C.....1	59.22.4221	220 uF	-10%, 16V, EL	
	C.....2				
	C.....3				
	C.....4				
(00)	C.....5	59.12.8472	4.7 nF	1%, 125V, PS	
	C.....5	59.05.2332	3.3 nF	2.5%, 160V, PP	
	C.....6	59.22.8479	4.7 uF	-10%, 50V, EL	
	C.....7	59.05.2132	1.5 nF	2.5%, 160V, PP	
(100)	C.....7	59.05.2102	1 nF	2.5%, 630V, PP	
	C.....8	59.05.2221	220 pF	2.5%, 630V, PP	
	C.....9	59.05.2102	1 nF	2.5%, 630V, PP	
(00)	C.....10	59.05.2582	6.8 nF	2.5%, 63V, PP	
	C.....10	59.05.2103	10 nF	2.5%, 63V, PP	
	C.....11	59.25.2582	6.8 nF	2.5%, 63V, PP	
	C.....12	59.05.2582	4.8 nF	2.5%, 63V, PP	
	C.....13	59.05.2472	4.7 nF	2.5%, 63V, PP	
	C.....14	59.22.3221	220 uF	-10%, 10V, EL	
	C.....15				
	C.....16	59.22.3101	100 uF	-10%, 10V, EL	
	C.....17	59.99.0246	68 nF	-20%, 63V, CER	
	D.....1	50.04.0122	1N4001	SI	
	D.....2				
	D.....3	50.04.0125	1N4448	SI	
	D.....4				
	J.....1	54.31.0306	8-Pole	Cis Socket Strip	AMP
	J.....2	54.01.0221		Jumper	
	K.....1	56.04.0149	12 V	LZN 403	
	K.....2				
	L.....1	62.02.2122	1.2 mH		
	P.....1	54.31.0223	7-Pole	Pin Strip	AMP
	P.....2	54.31.0223	7-Pole	Pin Strip	AMP

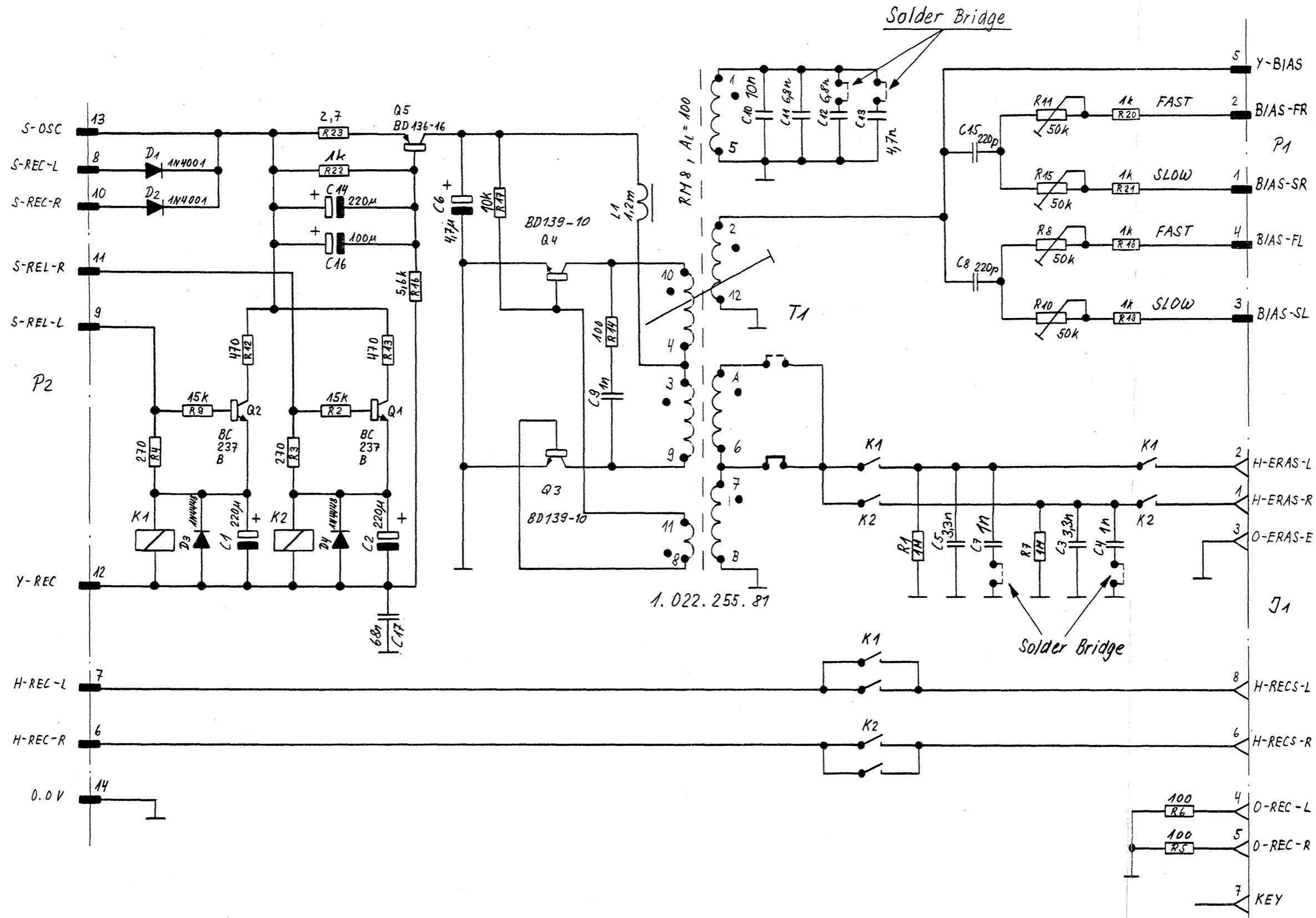
STUDER (01) 88/12/15 SDN OSCILLATOR MONO PL 1.177.867.82 PAGE 1

IND.	POS.-NO.	PART NO.	VALUE	SPECIFICATIONS / EQUIVALENT	MANUF.
	Q.....1				
	Q.....2	50.03.0436	BC 237 B	NPN	
	Q.....3	50.03.0451	BD 139-10	NPN	
	Q.....4	50.03.0451	BD 139-10	NPN	
	Q.....5	50.03.0510	BD 136-16	NPN	
	R.....1	57.11.3105	1 kOhm	2%, 0.25W, MF	
	R.....2				
	R.....3				
	R.....4	57.11.3271	270 Ohm	2%, 0.25W, MF	
	R.....5				
	R.....6	57.11.3101	100 Ohm	2%, 0.25W, MF	
	R.....7				
	R.....8	58.19.2503	50 kOhm	20%, PCSCHE	
	R.....9	57.11.3153	15 kOhm	2%, 0.25W, MF	
	R.....10	58.19.2503	50 kOhm	20%, PCSCHE	
	R.....11				
	R.....12	57.11.3471	470 Ohm	2%, 0.25W, MF	
	R.....13				
	R.....14	57.11.3101	100 Ohm	2%, 0.25W, MF	
	R.....15				
	R.....16	57.11.3562	5.6 kOhm	2%, 0.25W, MF	
(00)	R.....17	57.11.3153	15 kOhm	2%, 0.25W, MF	
	R.....17	57.11.3103	10 kOhm	2%, 0.25W, MF	
	R.....18	57.11.3102	1 kOhm	2%, 0.25W, MF	
	R.....19	57.11.3102	1 kOhm	2%, 0.25W, MF	
	R.....20				
	R.....21				
	R.....22	57.11.3102	1 kOhm	2%, 0.25W, MF	
(00)	R.....23	57.11.3109	1 Ohm	2%, 0.25W, MF	
(01)	R.....23	57.11.3279	2.7 Ohm	2%, 0.25W, MF	
	T.....1	1.222.254.00		Mono Oscillator Coil	
(01)	W.....1	1.177.868.93		Wire List	

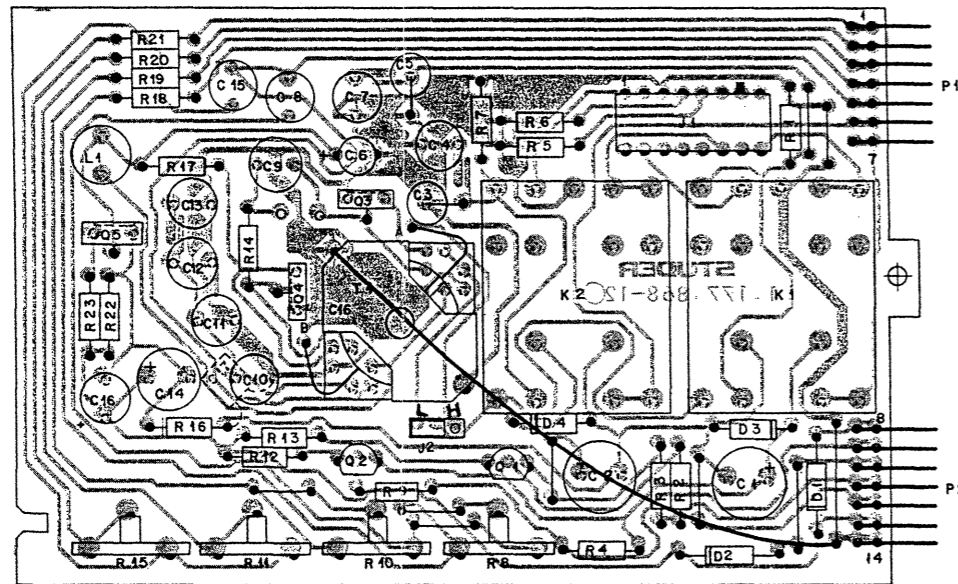
STUDER (01) 88/12/15 SDN OSCILLATOR MONO PL 1.177.867.82 PAGE 2

IND.	POS.-NO.	PART NO.	VALUE	SPECIFICATIONS / EQUIVALENT	MANUF.
(01)	15.12.88	SOFT REL-1N/DJT			
EL=Electrolytic, PP=Polypropylene, SI=Silicon, MF=Metal Film, PS=Polystyrol, PCSCHE=Carbon Film, CER=Ceramic					
MANUFACTURER: AMP=AMP					

OSCILLATOR PCB / STEREO 1.177.868-84



OSCILLATOR PCB / STEREO 1.177.868-84



IND.	POS.NO.	PART NO.	VALUE	SPECIFICATIONS / EQUIVALENT	MANUF.
C.....1		59.22.4221	220 uF	-10%, 16V, EL	
C.....2		59.22.4221	220 uF	-10%, 16V, EL	
C.....3		59.05.2332	3.3 nF	2.5%, 160V, PP	
C.....4		59.05.2102	1 nF	2.5%, 630V, PP	
C.....5		59.05.2332	3.3 nF	2.5%, 160V, PP	
C.....6		59.22.8479	4.7 uF	-10%, 50V, EL	
C.....7		59.05.2102	1 nF	2.5%, 630V, PP	
C.....8		59.05.2221	220 pF	2.5%, 630V, PP	
C.....9		59.05.2102	1 nF	2.5%, 630V, PP	
C.....10		59.05.2103	10 nF	2.5%, 63V, PP	
C.....11		59.05.2682	6.8 nF	2.5%, 63V, PP	
C.....12		59.05.2682	6.8 nF	2.5%, 63V, PP	
C.....13		59.05.2472	4.7 nF	2.5%, 63V, PP	
C.....14		59.22.3221	220 uF	-10%, 10V, PP	
C.....15		59.05.2221	220 pF	2.5%, 630V, PP	
C.....16		59.22.3101	100 uF	-10%, 10V, EL	
C.....17		59.99.0246	88 nF	-20%, 63V, CER	
D.....1		50.04.0122	1N4001	SI	
D.....2		50.04.0122	1N4001	SI	
D.....3		50.04.0125	1N4448	SI	
D.....4		50.04.0125	1N4448	SI	
J.....1		54.01.0306	8-Pole	Cis Socket Strip	AMP
J.....2		54.01.0021		Jumper	
K.....1		56.24.0149	12 V	LZN 403	
K.....2		56.04.0149	12 V	LZN 403	
L.....1		62.02.2122	1.2 mH		
P.....1		54.01.0223	7-Pole	Pin Strip	AMP
P.....2		54.01.0223	7-Pole	Pin Strip	AMP
Q.....1		50.03.0436	BC 237 B	NPN	
Q.....2		50.03.0436	BC 237 B	NPN	
Q.....3		50.03.0451	BD 139-10	NPN	

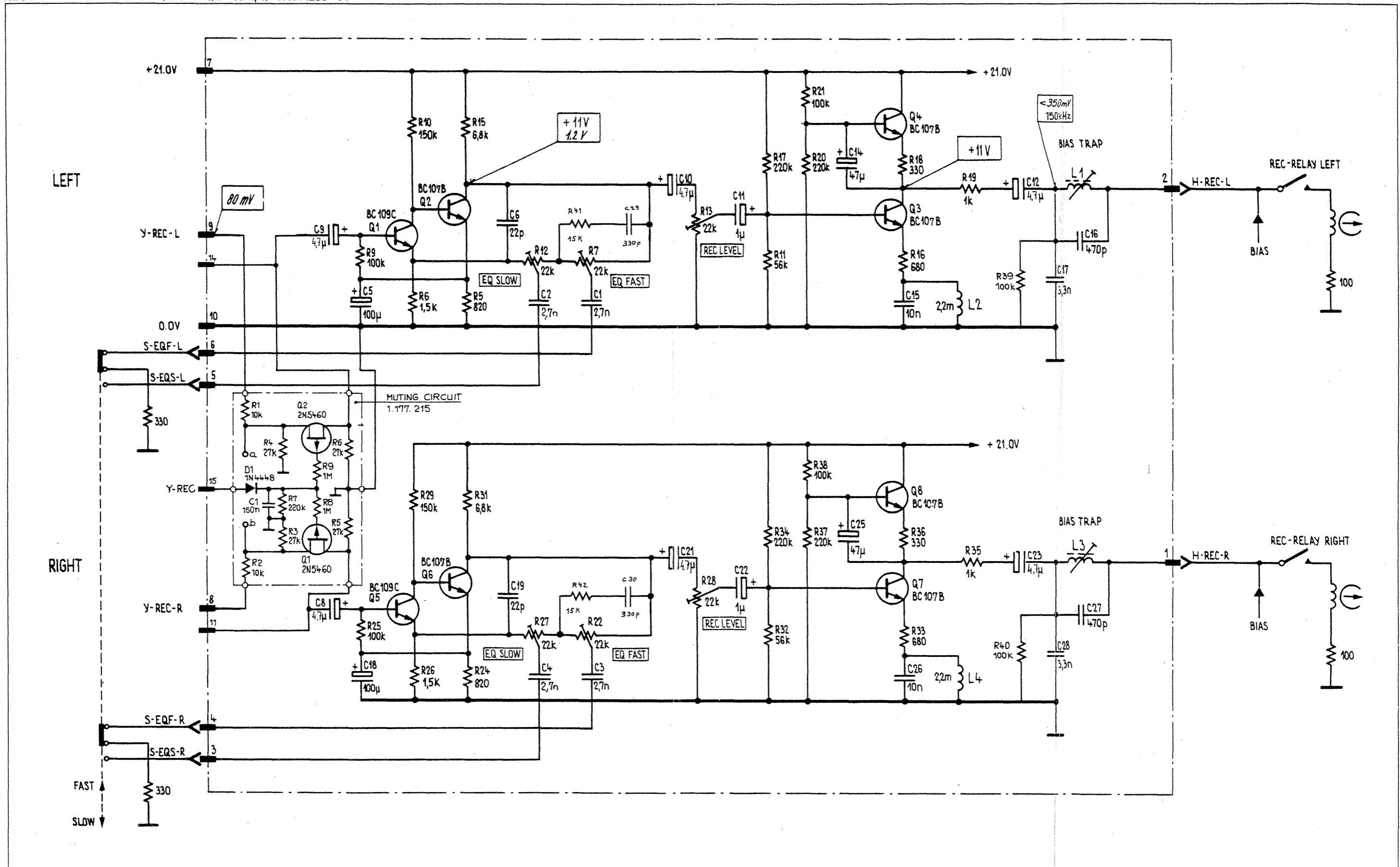
S T U D E R (01) 88/12/15 SDN OSCILLATOR STEREO PL 1.177.868.84 PAGE 1

IND.	POS.NO.	PART NO.	VALUE	SPECIFICATIONS / EQUIVALENT	MANUF.
Q.....4		50.03.0451	BD 139-10	NPN	
Q.....5		50.03.0510	BD 136-16	NPN	
R.....1		57.11.3105	1 MOhm	2%, 0.25W, MF	
R.....2		57.11.3153	15 kOhm	2%, 0.25W, MF	
R.....3		57.11.3271	270 Ohm	2%, 0.25W, MF	
R.....4		57.11.3271	270 Ohm	2%, 0.25W, MF	
R.....5		57.11.3101	100 Ohm	2%, 0.25W, MF	
R.....6		57.11.3101	100 Ohm	2%, 0.25W, MF	
R.....7		57.11.3105	1 MOhm	2%, 0.25W, MF	
R.....8		58.19.2503	50 kOhm	20%, PCSCHE	
R.....9		57.11.3153	15 kOhm	2%, 0.25W, MF	
R.....10		58.19.2503	50 kOhm	20%, PCSCHE	
R.....11		58.19.2503	50 kOhm	20%, PCSCHE	
R.....12		57.11.3471	470 Ohm	2%, 0.25W, MF	
R.....13		57.11.3471	470 Ohm	2%, 0.25W, MF	
R.....14		57.11.3101	100 Ohm	2%, 0.25W, MF	
R.....15		58.19.2503	50 kOhm	20%, PCSCHE	
R.....16		57.11.3562	5.6 kOhm	2%, 0.25W, MF	
R.....17		57.11.3103	10 kOhm	2%, 0.25W, MF	
R.....18		57.11.3102	1 kOhm	2%, 0.25W, MF	
R.....19		57.11.3102	1 kOhm	2%, 0.25W, MF	
R.....20		57.11.3102	1 kOhm	2%, 0.25W, MF	
R.....21		57.11.3102	1 kOhm	2%, 0.25W, MF	
R.....22		57.11.3102	1 kOhm	2%, 0.25W, MF	
R.....23		57.11.3109	1 Ohm	2%, 0.25W, MF	
R.....24		57.11.3279	2.7 Ohm	2%, 0.25W, MF	
T.....1		1.222.255.81		Stereo Oscillator Coil	
W.....1		1.177.868.93		Wire List	

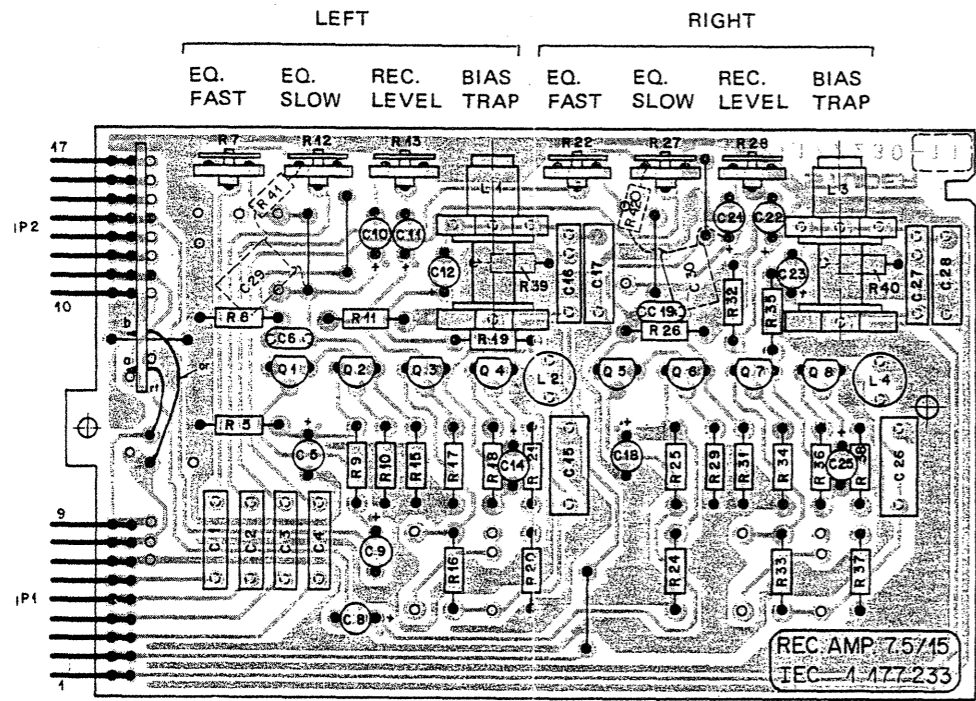
S T U D E R (01) 88/12/15 SDN OSCILLATOR STEREO PL 1.177.868.84 PAGE 2

IND.	POS.NO.	PART NO.	VALUE	SPECIFICATIONS / EQUIVALENT	MANUF.
(01) 15.12.88		SDPT REC-1N/OUT			
El=Electrolytic, PP=Polypropylen, SI=Silicon, MF=Metal Film, PS=Polystyrol, PCSCHE=Carbon Film, CER=Ceramic					
MANUFACTURER: AMP&					

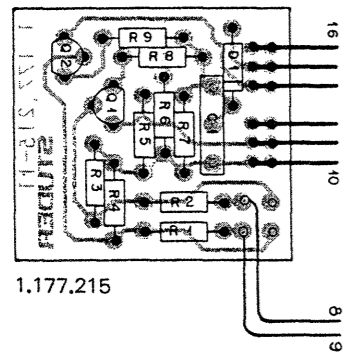
RECORD AMPLIFIER PCB (IEC 7 1/2-15 ips) 1.177.233-81



RECORD AMPLIFIER PCB (IEC 7 1/2-15 ips) 1.177.233-81



1.177.233-81



1.177.215

IND.	POS. NO.	PART NO.	VALUE	SPECIFICATIONS / EQUIVALENT	MANUF.
C.....1		59-11-6272	2700 pF	5%, 400V, PC	
C.....2		59-11-6272	2700 pF	5%, 400V, PC	
C.....3		59-11-6272	2700 pF	5%, 400V, PC	
C.....4		59-11-6272	2700 pF	5%, 400V, PC	
C.....5		59-22-3101	100 uF	10%, 12V, EI	
C.....6		59-32-0220	22 pF	20%, 500V, Cer	
C.....7		59-22-8479	4.7 uF	10%, 50V, EI	
C.....8		59-22-8479	4.7 uF	10%, 50V, EI	
C.....9		59-22-8479	4.7 uF	10%, 50V, EI	
C.....10		59-22-8479	4.7 uF	10%, 50V, EI	
C.....11		59-22-8109	1 uF	10%, 50V, EI	
C.....12		59-22-8479	4.7 uF	10%, 50V, EI	
C.....13		59-22-3470	47 uF	10%, 10V, EI	
C.....14		59-31-9103	0.01 uF	10%, 100V, PETP	
C.....15		59-11-6471	470 pF	5%, 400V, PC	
C.....16		59-11-6471	470 pF	5%, 400V, PC	
C.....17		59-11-6332	3300 pF	5%, 400V, PC	
C.....18		59-22-3101	100 uF	10%, 12V, EI	
C.....19		59-32-0220	22 pF	20%, 500V, Cer	
C.....20		59-22-8479	4.7 uF	10%, 50V, EI	
C.....21		59-22-8109	1 uF	10%, 50V, EI	
C.....22		59-22-8479	4.7 uF	10%, 50V, EI	
C.....23		59-22-8479	4.7 uF	10%, 50V, EI	
C.....24		59-22-3470	47 uF	10%, 10V, EI	
C.....25		59-31-9103	0.01 uF	10%, 100V, PETP	
C.....26		59-11-6471	470 pF	5%, 400V, PC	
C.....27		59-11-6322	3300 pF	5%, 400V, PC	
C.....28		59-34-4331	330 pF	5%, 63V, CER	
C.....29		59-34-4331	330 pF	5%, 63V, CER	
C.....30		59-34-4331	330 pF	5%, 63V, CER	
L.....1		1.177.231.00			S
L.....2		62-02-1222	2.2 mH	5%	S
L.....3		1.177.231.00			S
L.....4		62-02-1222	2.2 mH	5%	S
P.....1		54-01-0220	9-Pole	Pin-Strip	AMP

STUDER (03) 86/06/05 Mth RECORD AMPLIFIER 7.5-15 CCIR 1.177.233-81 PAGE 1

IND.	POS. NO.	PART NO.	VALUE	SPECIFICATIONS / EQUIVALENT	MANUF.
P.....2		54-01-0270	8-Pole	Pin-Strip	AMP
Q.....1		50-03-0439	BC 109 C	NPN	
Q.....2		50-03-0436	BC 107 B	NPN	
Q.....3		50-03-0436	BC 107 B	NPN	
Q.....4		50-03-0436	BC 107 B	NPN	
Q.....5		50-03-0439	BC 109 C	NPN	
Q.....6		50-03-0436	BC 107 B	NPN	
Q.....7		50-03-0436	BC 107 B	NPN	
Q.....8		50-03-0436	BC 107 B	NPN	
R.....1		57-11-4821	820 Ohm	5%, 0.25W, CF	
R.....2		57-11-4152	1.5 kOhm	5%, 0.25W, CF	
R.....3		58-02-4223	22 kOhm	10%, 0.1 W, CF	
R.....4		57-11-4104	100 kOhm	5%, 0.25W, CF	
R.....5		57-11-4154	150 kOhm	5%, 0.25W, CF	
R.....6		57-11-4563	56 kOhm	5%, 0.25W, CF	
R.....7		58-02-4223	22 kOhm	10%, 0.1 W, CF	
R.....8		58-02-4223	22 kOhm	10%, 0.1 W, CF	
R.....9		57-11-4682	6.8 kOhm	5%, 0.25W, CF	
R.....10		57-11-4681	680 Ohm	5%, 0.25W, CF	
R.....11		57-11-4224	220 kOhm	5%, 0.25W, CF	
R.....12		57-11-4331	330 Ohm	5%, 0.25W, CF	
R.....13		57-11-4102	1 kOhm	5%, 0.25W, CF	
R.....14		57-11-4224	220 kOhm	5%, 0.25W, CF	
R.....15		57-11-4104	100 kOhm	5%, 0.25W, CF	
R.....16		58-02-4223	22 kOhm	10%, 0.1 W, CF	
R.....17		57-11-4682	6.8 kOhm	5%, 0.25W, CF	
R.....18		57-11-4563	56 kOhm	5%, 0.25W, CF	
R.....19		57-11-4681	680 Ohm	5%, 0.25W, CF	
R.....20		57-11-4224	220 kOhm	5%, 0.25W, CF	
R.....21		57-11-4102	1 kOhm	5%, 0.25W, CF	
R.....22		57-11-4224	220 kOhm	5%, 0.25W, CF	
R.....23		57-11-4104	100 kOhm	5%, 0.25W, CF	
R.....24		57-11-4821	820 Ohm	5%, 0.25W, CF	
R.....25		57-11-4104	100 kOhm	5%, 0.25W, CF	
R.....26		57-11-4152	1.5 kOhm	5%, 0.25W, CF	

STUDER (03) 86/06/05 Mth RECORD AMPLIFIER 7.5-15 CCIR 1.177.233-81 PAGE 2

IND.	POS. NO.	PART NO.	VALUE	SPECIFICATIONS / EQUIVALENT	MANUF.
R.....27		58-02-4223	22 kOhm	10%, 0.1 W, CF	
R.....28		58-02-4223	22 kOhm	10%, 0.1 W, CF	
R.....29		57-11-4154	150 kOhm	5%, 0.25W, CF	
R.....30		57-11-4682	6.8 kOhm	5%, 0.25W, CF	
R.....31		57-11-4563	56 kOhm	5%, 0.25W, CF	
R.....32		57-11-4681	680 Ohm	5%, 0.25W, CF	
R.....33		57-11-4224	220 kOhm	5%, 0.25W, CF	
R.....34		57-11-4102	1 kOhm	5%, 0.25W, CF	
R.....35		57-11-4224	220 kOhm	5%, 0.25W, CF	
R.....36		57-11-4331	330 Ohm	5%, 0.25W, CF	
R.....37		57-11-4224	220 kOhm	5%, 0.25W, CF	
R.....38		57-11-4104	100 kOhm	5%, 0.25W, CF	
R.....39		57-11-4104	100 kOhm	5%, 0.25W, CF	
R.....40		57-11-4104	100 kOhm	5%, 0.25W, CF	
R.....41		57-11-4153	15 kOhm	5%, 0.25W, CF	
R.....42		57-11-4153	15 kOhm	5%, 0.25W, CF	

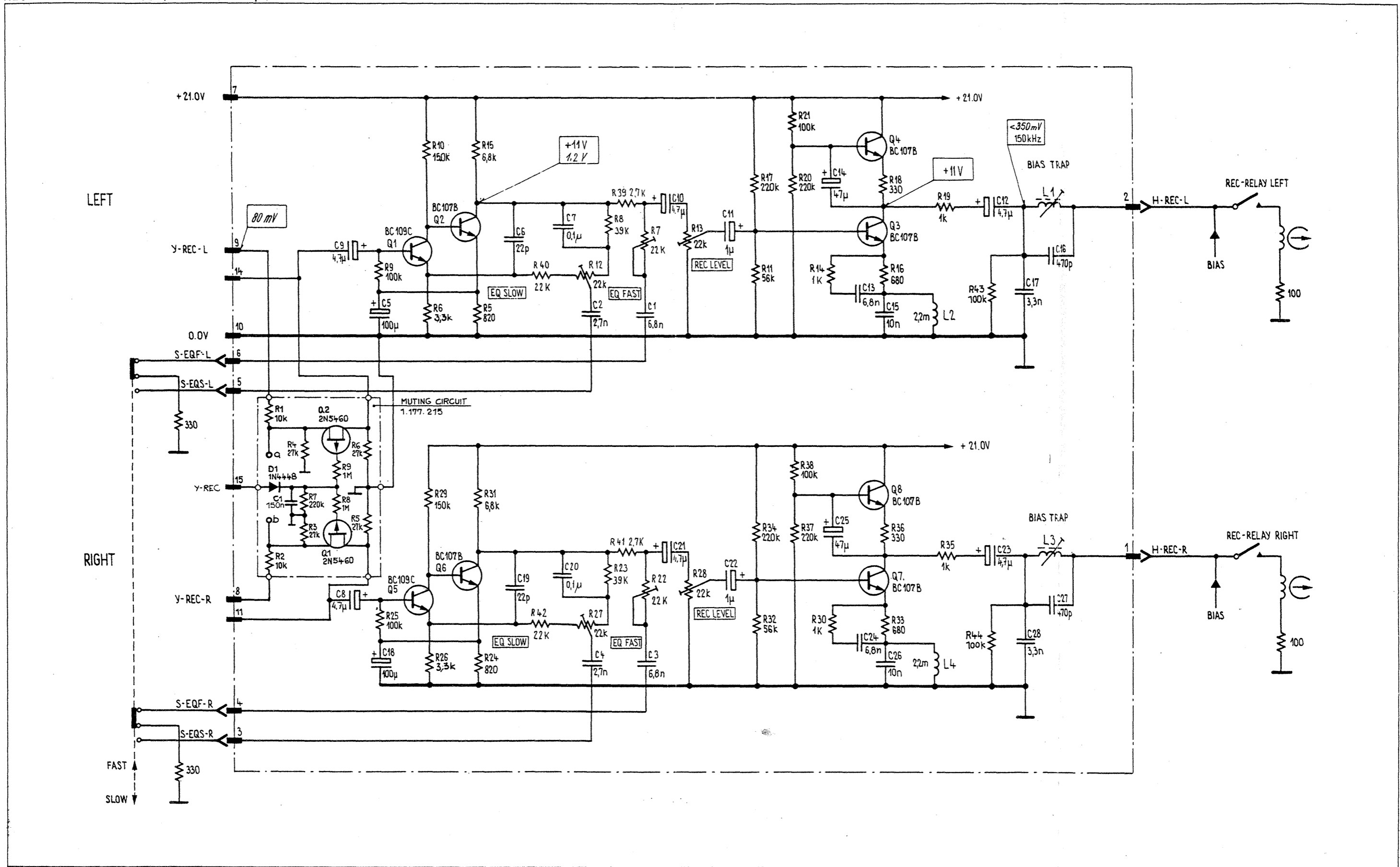
E1=Electrolytic, Cer=Ceramic, PC=Polycarbonate, MPETP=Metallized Polyester
 PETP=Polyester
 Manufacturer: S=STUDER
 ORIG 78/04/19 (01) 81/01/13 (02) 81/12/21 (03) 86/06/05
 STUDER (03) 86/06/05 Mth RECORD AMPLIFIER 7.5-15 CCIR 1.177.233-81 PAGE 3

IND/POS NO.	PART NO.	VALUE	SPECIFICATIONS/EQUIVALENT	MFR
CA	59.31.1154	150nF		
DA	50.04.0125	1N4428	S	
JA	59.01.0227	3P61	CIS	
J2	59.01.0227	3P61	CIS	
QA	50.03.0312	2N5460	PCH Fet	
Q2	50.03.0312	2N5460	PCH Fet	
PA	59.11.4103	10K		
P2	59.11.4103	10K		
R3	59.11.4273	27K		
R4	59.11.4273	27K		
R5	59.11.4273	27K		
R6	59.11.4273	27K		
R7	59.11.4224	220K		
RA	59.11.4105	1M		
RA	59.11.4105	1M		

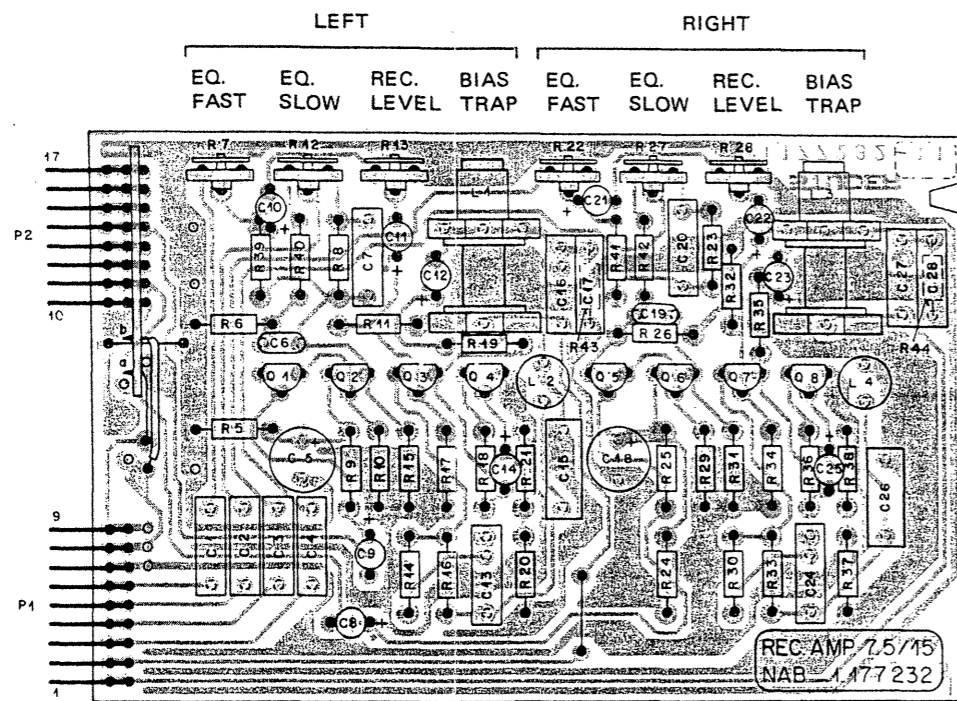
INDI	DATE	NAME
1	1.3.81	W. G. H. W.
2	2.8.1.81	W. G. H. W.
3	14.1.81	G. M. H. W.
4	18.12.80	G. M. H. W.

STUDER *Muting Circuit* PL 1.177.215-00 PAGE 1 OF 1

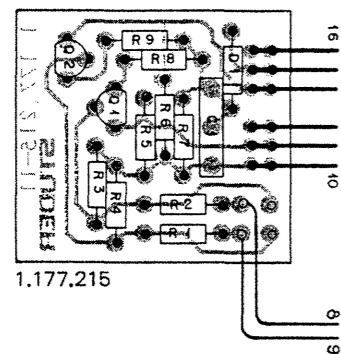
RECORD AMPLIFIER PCB (NAB 7 1/2-15ips) 1.177.232-81



RECORD AMPLIFIER PCB (NAB 7 1/2-15ips) 1.177.232-81



1.177.232-81



1.177.215

IND.	POS. NO.	PART NO.	VALUE	SPECIFICATIONS / EQUIVALENT	MANUF.
C.....1		59-11-3682	6800 pF	5%, 400V, PC	
C.....2		59-11-6272	2700 pF	5%, 400V, PC	
C.....3		59-11-3682	6800 pF	5%, 400V, PC	
C.....4		59-11-6272	2700 pF	5%, 400V, PC	
C.....5		59-22-3101	100 uF	10%, 12V, E1	
C.....6		59-12-0220	22 pF	20%, 500V, Cer	
C.....7		59-11-0104	0.1 uF	10%, 100V, MPETP	
C.....8		59-22-8479	4.7 uF	10%, 50V, E1	
C.....9		59-22-8479	4.7 uF	10%, 50V, E1	
C.....10		59-22-8479	4.7 uF	10%, 50V, E1	
C.....11		59-22-8109	1 uF	10%, 50V, E1	
C.....12		59-22-8479	4.7 uF	10%, 50V, E1	
C.....13		59-11-3682	6800 pF	5%, 400V, PC	
C.....14		59-22-3470	47 uF	10%, 10V, E1	
C.....15		59-11-9103	0.01 uF	10%, 100V, PETP	
C.....16		59-11-6471	470 pF	5%, 400V, PC	
C.....17		59-11-6332	3300 pF	5%, 400V, PC	
C.....18		59-22-3101	100 uF	10%, 12V, E1	
C.....19		59-12-0220	22 pF	20%, 500V, Cer	
C.....20		59-11-0104	0.1 uF	10%, 100V, MPETP	
C.....21		59-22-8479	4.7 uF	10%, 50V, E1	
C.....22		59-22-8109	1 uF	10%, 50V, E1	
C.....23		59-22-8479	4.7 uF	10%, 50V, E1	
C.....24		59-11-3682	6800 pF	5%, 400V, PC	
C.....25		59-22-3470	47 uF	10%, 10V, E1	
C.....26		59-11-9103	0.01 uF	10%, 100V, PETP	
C.....27		59-11-6471	470 pF	5%, 400V, PC	
C.....28		59-11-6322	3300 pF	5%, 400V, PC	
L.....1		1.177.231.00			S
L.....2		02-02-1222	2.2 mH	5%	
L.....3		1.177.231.00			S
L.....4		02-02-1222	2.2 mH	5%	
P.....1		54-01-0220	9-Pole	Pin-Strip	AMP
P.....2		54-01-0270	8-Pole	Pin-Strip	AMP

STUDEA (02) 31/12/21 RW RECORD AMPLIFIER 7.5-15 NAB PL 1.177.232.81 PAGE 1

IND.	POS. NO.	PART NO.	VALUE	SPECIFICATIONS / EQUIVALENT	MANUF.
R.....29		57-11-4154	150 kOhm	5%, 0.25W, CF	
R.....30		57-11-4102	1 kOhm	5%, 0.25W, CF	
R.....31		57-11-4082	6.8 kOhm	5%, 0.25W, CF	
R.....32		57-11-4563	56 kOhm	5%, 0.25W, CF	
R.....33		57-11-4081	680 Ohm	5%, 0.25W, CF	
R.....34		57-11-4224	220 kOhm	5%, 0.25W, CF	
R.....35		57-11-4102	1 kOhm	5%, 0.25W, CF	
R.....36		57-11-4331	330 Ohm	5%, 0.25W, CF	
R.....37		57-11-4224	220 kOhm	5%, 0.25W, CF	
R.....38		57-11-4104	100 kOhm	5%, 0.25W, CF	
R.....39		57-11-4272	2.7 kOhm	5%, 0.25W, CF	
R.....40		57-11-4223	22 kOhm	5%, 0.25W, CF	
R.....41		57-11-4272	2.7 kOhm	5%, 0.25W, CF	
R.....42		57-11-4223	22 kOhm	5%, 0.25W, CF	
R.....43		57-11-4104	100 kOhm	5%, 0.25W, CF	
R.....44		57-11-4104	100 kOhm	5%, 0.25W, CF	

E1=Electrolytic, Cer=Ceramic, PC=Polycarbonate, MPETP=Metalized Polyester
PETP=Polyester
Manufacturers: S=STUDER

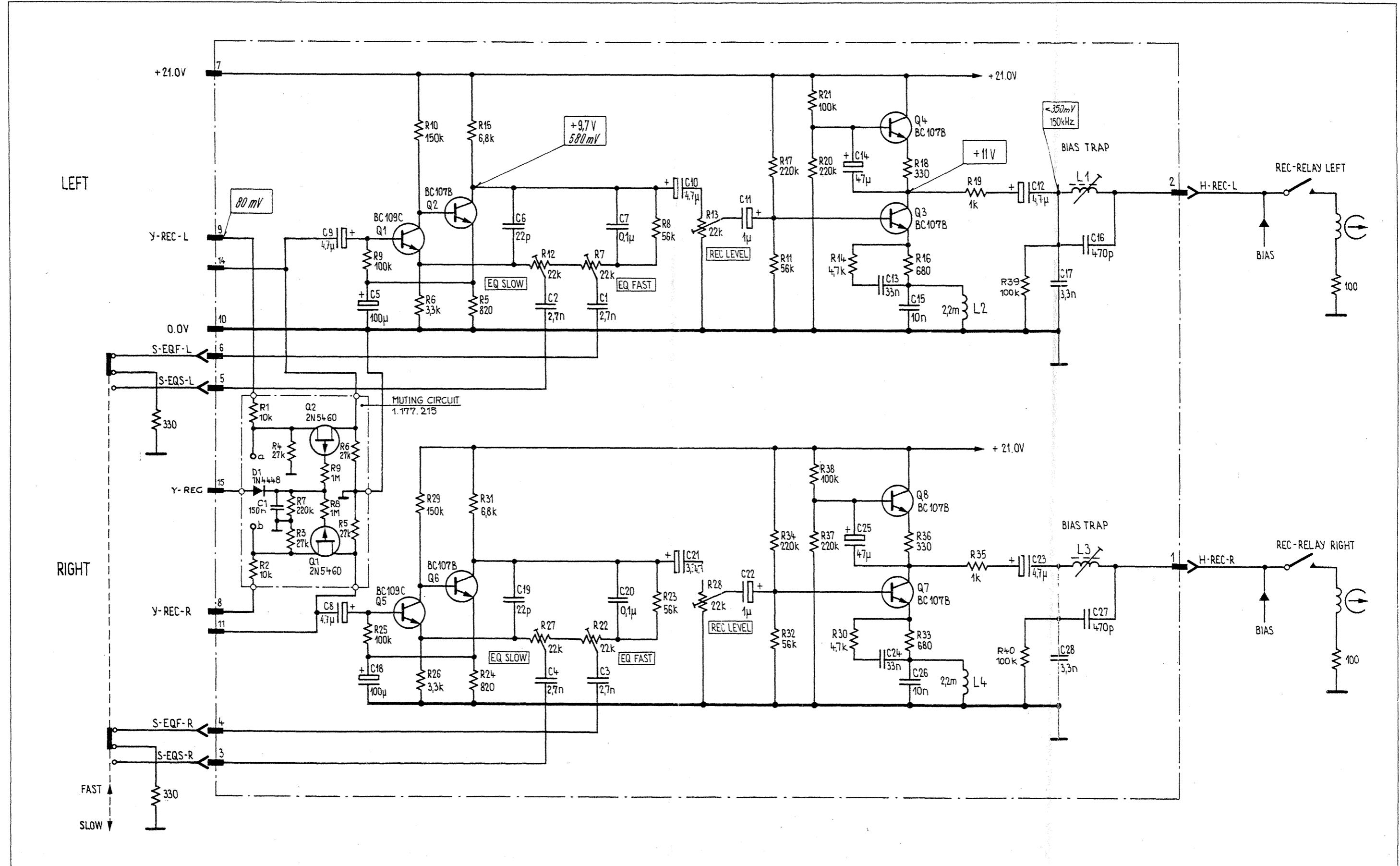
ORIG 78/04/19 (01) 81/01/13 (02) 81/12/21

STUDEA (02) 31/12/21 RW RECORD AMPLIFIER 7.5-15 NAB PL 1.177.232.81 PAGE 3

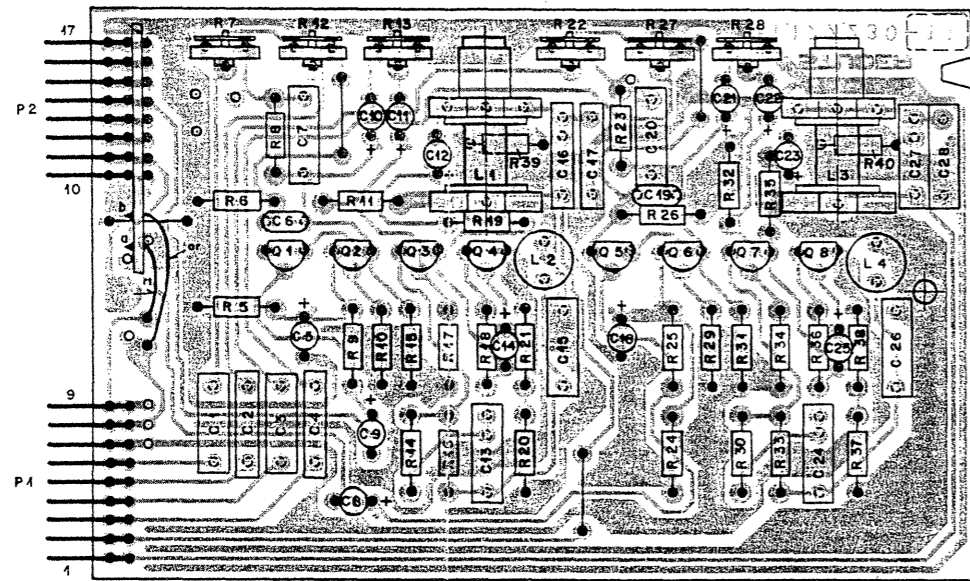
IND.	POS. NO.	PART NO.	VALUE	SPECIFICATIONS / EQUIVALENT	MANUF.
Q.....1		50-03-0439	BC 109 C	NPN	
Q.....2		50-03-0436	BC 107 B	NPN	
Q.....3		50-03-0436	BC 107 B	NPN	
Q.....4		50-03-0436	BC 107 B	NPN	
Q.....5		50-03-0439	BC 109 C	NPN	
Q.....6		50-03-0436	BC 107 B	NPN	
Q.....7		50-03-0436	BC 107 B	NPN	
Q.....8		50-03-0436	BC 107 B	NPN	
R.....1					
R.....2					
R.....3					
R.....4					
R.....5		57-11-4921	820 Ohm	5%, 0.25W, CF	
R.....6		57-11-4332	3.3 kOhm	5%, 0.25W, CF	
R.....7		58-02-4223	22 kOhm	10%, 0.1 W, CF	
R.....8		57-11-4393	39 kOhm	5%, 0.25W, CF	
R.....9		57-11-4104	100 kOhm	5%, 0.25W, CF	
R.....10		57-11-4154	150 kOhm	5%, 0.25W, CF	
R.....11		57-11-4563	56 kOhm	5%, 0.25W, CF	
R.....12		58-02-4223	22 kOhm	10%, 0.1 W, CF	
R.....13		58-02-4223	22 kOhm	10%, 0.1 W, CF	
R.....14		57-11-4102	1 kOhm	5%, 0.25W, CF	
R.....15		57-11-4082	6.8 kOhm	5%, 0.25W, CF	
R.....16		57-11-4081	680 Ohm	5%, 0.25W, CF	
R.....17		57-11-4224	220 kOhm	5%, 0.25W, CF	
R.....18		57-11-4331	330 Ohm	5%, 0.25W, CF	
R.....19		57-11-4102	1 kOhm	5%, 0.25W, CF	
R.....20		57-11-4224	220 kOhm	5%, 0.25W, CF	
R.....21		57-11-4104	100 kOhm	5%, 0.25W, CF	
R.....22		58-02-4223	22 kOhm	10%, 0.1 W, CF	
R.....23		57-11-4393	39 kOhm	5%, 0.25W, CF	
R.....24		57-11-4921	820 Ohm	5%, 0.25W, CF	
R.....25		57-11-4104	100 kOhm	5%, 0.25W, CF	
R.....26		57-11-4332	3.3 kOhm	5%, 0.25W, CF	
R.....27		58-02-4223	22 kOhm	10%, 0.1 W, CF	
R.....28		58-02-4223	22 kOhm	10%, 0.1 W, CF	

STUDEA (02) 31/12/21 RW RECORD AMPLIFIER 7.5-15 NAB PL 1.177.232.81 PAGE 2

RECORD AMPLIFIER PCB (NAB 3 3/4-7 1/2 ips) 1.177.230-81



RECORD AMPLIFIER PCB (NAB 3 3/4-7 1/2 ips) 1.177.230-81



1.177.215

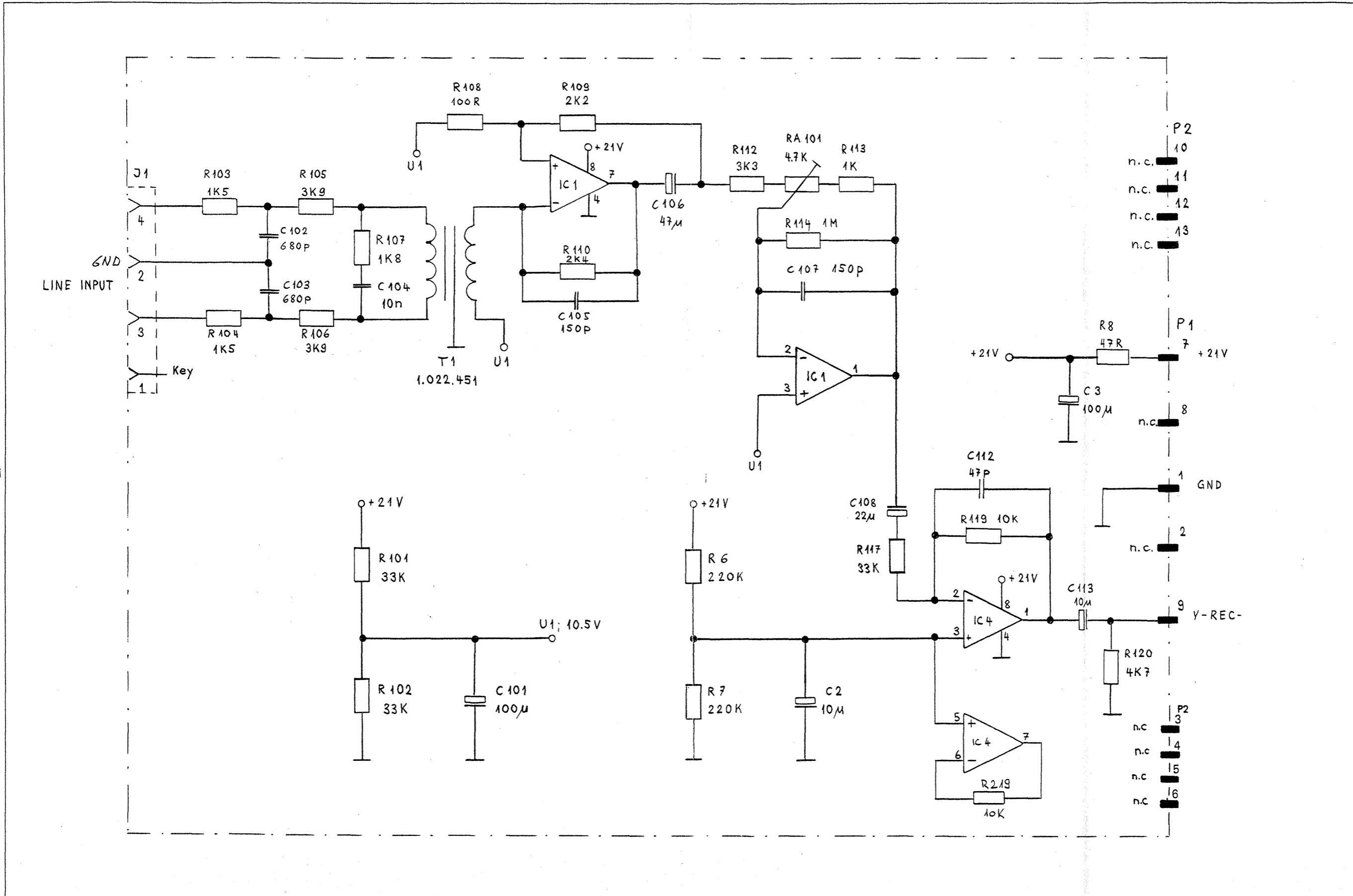
IND.	POS. NO.	PART NO.	VALUE	SPECIFICATIONS / EQUIVALENT	MANUF.	IND.	POS. NO.	PART NO.	VALUE	SPECIFICATIONS / EQUIVALENT	MANUF.
C.....1		59-11-6272	2700 pF	5%, 400V, PC		U.....1		50-03-0439	BC 109 C	NPN	
C.....2		59-11-6272	2700 pF	5%, 400V, PC		U.....2		50-03-0436	BC 107 B	NPN	
C.....3		59-11-6272	2700 pF	5%, 400V, PC		U.....3		50-03-0436	BC 107 B	NPN	
C.....4		59-11-6272	2700 pF	5%, 400V, PC		U.....4		50-03-0436	BC 107 B	NPN	
C.....5		59-22-3101	100 uF	10%, 12V, EI		U.....5		50-03-0439	BC 109 C	NPN	
C.....6		59-32-0220	22 pF	20%, 500V, Cer		U.....6		50-03-0436	BC 107 B	NPN	
C.....7		59-31-6104	0.1 uF	10%, 100V, MPETP		U.....7		50-03-0436	BC 107 B	NPN	
C.....8		59-22-8479	4.7 uF	10%, 50V, EI		U.....8		50-03-0436	BC 107 B	NPN	
C.....9		59-22-8479	4.7 uF	10%, 50V, EI		U.....9		50-03-0436	BC 107 B	NPN	
C.....10		59-22-8479	4.7 uF	10%, 50V, EI		R.....1					
C.....11		59-22-8109	1 uF	10%, 50V, EI		R.....2					
C.....12		59-22-8479	4.7 uF	10%, 50V, EI		R.....3					
C.....13		59-99-0257	0.033uF	10%, 160V, PETP		R.....4					
C.....14		59-22-3470	4.7 uF	10%, 10V, EI		R.....5		57-11-4921	820 Ohm	5%, 0.25W, CF	
C.....15		59-31-9103	0.01 uF	10%, 100V, PETP		R.....6		57-11-4932	3.3 Kohm	5%, 0.25W, CF	
C.....16		59-11-6471	470 pF	5%, 400V, PC		R.....7		58-02-4223	22 Kohm	10%, 0.1 W, CF	
C.....17		59-11-6332	3300 pF	5%, 400V, PC		R.....8		57-11-4963	56 Kohm	5%, 0.25W, CF	
C.....18		59-22-3101	100 uF	10%, 12V, EI		R.....9		57-11-4104	100 Kohm	5%, 0.25W, CF	
C.....19		59-32-0220	22 pF	20%, 500V, Cer		R.....10		57-11-4154	150 Kohm	5%, 0.25W, CF	
C.....20		59-31-6104	0.1 uF	10%, 100V, MPETP		R.....11		57-11-4963	56 Kohm	5%, 0.25W, CF	
C.....21		59-22-8479	4.7 uF	10%, 50V, EI		R.....12		58-02-4223	22 Kohm	10%, 0.1 W, CF	
C.....22		59-22-8109	1 uF	10%, 50V, EI		R.....13		58-02-4223	22 Kohm	10%, 0.1 W, CF	
C.....23		59-22-8479	4.7 uF	10%, 50V, EI		R.....14		57-11-4472	4.7 Kohm	5%, 0.25W, CF	
C.....24		59-99-0257	0.033uF	10%, 160V, PETP		R.....15		57-11-4682	6.8 Kohm	5%, 0.25W, CF	
C.....25		59-22-3470	4.7 uF	10%, 10V, EI		R.....16		57-11-4961	680 Ohm	5%, 0.25W, CF	
C.....26		59-31-9103	0.01 uF	10%, 100V, PETP		R.....17		57-11-4224	220 Kohm	5%, 0.25W, CF	
C.....27		59-11-6471	470 pF	5%, 400V, PC		R.....18		57-11-4331	330 Ohm	5%, 0.25W, CF	
C.....28		59-11-6332	3300 pF	5%, 400V, PC		R.....19		57-11-4102	1 Kohm	5%, 0.25W, CF	
L.....1		1.177.231-00	2.2 mH	5%	S	R.....20		57-11-4224	220 Kohm	5%, 0.25W, CF	
L.....2		62-02-1222	2.2 mH	5%	S	R.....21		57-11-4104	100 Kohm	5%, 0.25W, CF	
L.....3		1.177.231-00	2.2 mH	5%	S	R.....22		58-02-4223	22 Kohm	10%, 0.1 W, CF	
L.....4		72-02-1222	2.2 mH	5%	S	R.....23		57-11-4563	56 Kohm	5%, 0.25W, CF	
P.....1		54-01-0220	9-Pole	Pin-Strip	AMP	R.....24		57-11-4821	820 Ohm	5%, 0.25W, CF	
P.....2		54-01-0270	8-Pole	Pin-Strip	AMP	R.....25		57-11-4104	100 Kohm	5%, 0.25W, CF	
						R.....26		57-11-4332	3.3 Kohm	5%, 0.25W, CF	
						R.....27		58-02-4223	22 Kohm	10%, 0.1 W, CF	
						R.....28		58-02-4223	22 Kohm	10%, 0.1 W, CF	

S T U D E R (02) 81/12/21 RW RECORD AMPLIFIER PL 1.177-230-81 PAGE 1 S T U D E R (02) 81/12/21 RW RECORD AMPLIFIER PL 1.177-230-81 PAGE 2

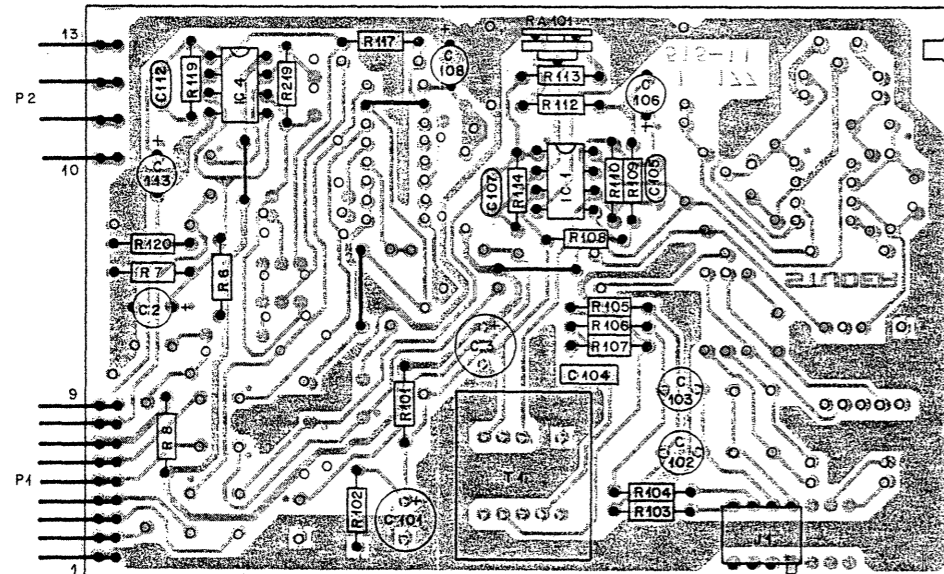
IND.	POS. NO.	PART NO.	VALUE	SPECIFICATIONS / EQUIVALENT	MANUF.
R.....29		57-11-4154	150 Kohm	5%, 0.25W, CF	
R.....30		57-11-4472	4.7 Kohm	5%, 0.25W, CF	
R.....31		57-11-4682	6.8 Kohm	5%, 0.25W, CF	
R.....32		57-11-4563	56 Kohm	5%, 0.25W, CF	
R.....33		57-11-4681	680 Ohm	5%, 0.25W, CF	
R.....34		57-11-4224	220 Kohm	5%, 0.25W, CF	
R.....35		57-11-4102	1 Kohm	5%, 0.25W, CF	
R.....36		57-11-4331	330 Ohm	5%, 0.25W, CF	
R.....37		57-11-4224	220 Kohm	5%, 0.25W, CF	
R.....38		57-11-4104	100 Kohm	5%, 0.25W, CF	
R.....39		57-11-4104	100 Kohm	5%, 0.25W, CF	
R.....40		57-11-4104	100 Kohm	5%, 0.25W, CF	

EI=Electrolytic, Cer=Ceramic, PC=Polycarbonate, MPETP=Metallized Polyester
 PETP=Polyester
 Manufacturer: S=STUDER
 DTG 77/74/07 (01) 81/01/13 (02) 81/12/21
 S T U D E R (02) 81/12/21 RW RECORD AMPLIFIER PL 1.177-230-81 PAGE 3

LINE INPUT MONO 1.177.521-00



LINE INPUT MONO 1.177.521-00

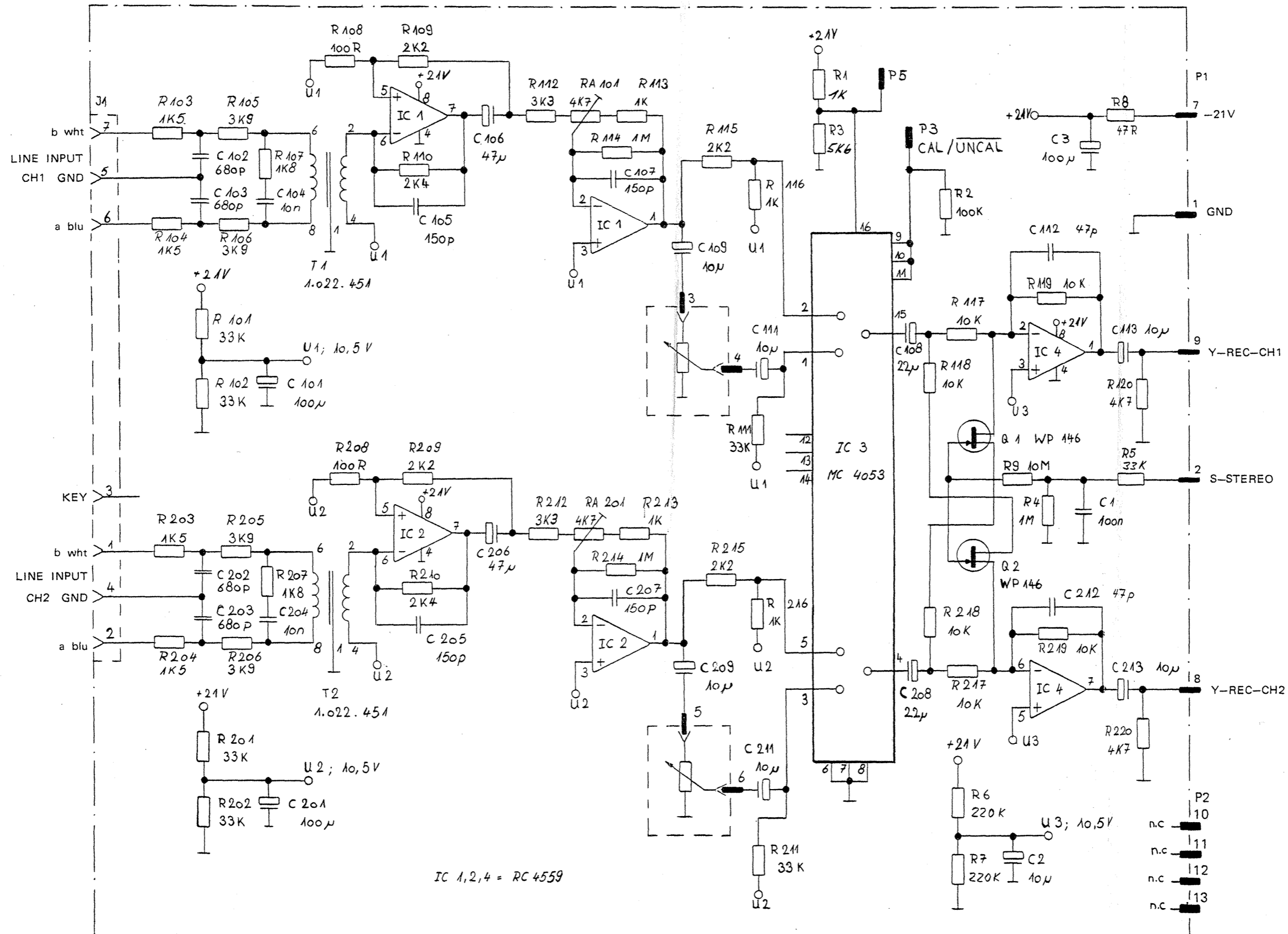


IND.	POS.NO.	PART NO.	VALUE	SPECIFICATIONS / EQUIVALENT	MANUF.
C.....2		59.22-6100	10 uF	-20%, 25V, E1	
C.....3		59.22-5101	100 uF	-20%, 25V, E1	
C....101		59.22-4101	100 uF	-20%, 16V, E1	
C....102		59.05-1681	680 pF	1%, 25V, PP	
C....103		59.05-1681	680 pF	1%, 25V, PP	
C....104		59.06-0103	10 nF	20%, 25V, PE	
C....105		59.34-4151	150 pF	20%, 25V, Cer	
C....106		59.22-3470	47 uF	-20%, 10V, E1	
C....107		59.34-4151	150 pF	20%, 25V, Cer	
C....108		59.22-5220	22 uF	-20%, 25V, E1	
C....112		59.34-2470	47 pF	20%, 25V, Cer	
C....113		59.22-6100	10 uF	-20%, 25V, E1	
IC....1		50.09-0107	RC 4559	Dual Op. Amp	TI
IC....4		50.09-0107	RC 4559	Dual Op. Amp	Ra, TI
J.....1		54.01-0304	4-Pole	Cis-Pin Case	
MP....1		1-177-515-11		LINE INPUT PCB	St
P.....1		54.01-0220	9-Pole	Pin-Strip	
P.....2		54.01-0470	4-Pole	Pin-Strip	
R.....6		57.11-3224	220 kOhm	5 %, .25W, MF	
R.....7		57.11-3224	220 kOhm	5 %, .25W, MF	
R.....8		57.11-3470	47 Ohm	5 %, .25W, MF	
R....101		57.11-3333	33 kOhm	5 %, .25W, MF	
R....102		57.11-3333	33 kOhm	5 %, .25W, MF	
R....103		57.11-3152	1.5 kOhm	1 %, .25W, MF	
R....104		57.11-3152	1.5 kOhm	1 %, .25W, MF	
R....105		57.11-3392	3.9 kOhm	5 %, .25W, MF	
R....106		57.11-3392	3.9 kOhm	5 %, .25W, MF	
R....107		57.11-3182	1.8 kOhm	5 %, .25W, MF	
R....108		57.11-3101	100 Ohm	5 %, .25W, MF	
R....109		57.11-3222	2.2 kOhm	5 %, .25W, MF	
R....110		57.11-3242	2.4 kOhm	2 %, .25W, MF	
R....112		57.11-3332	3.3 kOhm	5 %, .25W, MF	
R...113		57.11-3102	1 kOhm	5 %, .25W, MF	
R...114		57.11-3105	1 MOhm	5 %, .25W, MF	
R...117		57.11-3333	33 kOhm	5 %, .25W, MF	
R...118		57.11-3103	10 kOhm	5 %, .25W, MF	
R...120		57.11-3472	4.7 kOhm	5 %, .25W, MF	
R...219		57.11-3103	10 kOhm	5 %, .25W, MF	
Ra...101		58.02-4472	4.7 kOhm	20 %, .1 W, PCer	
T.....1		1-222-451-00		Trafo	

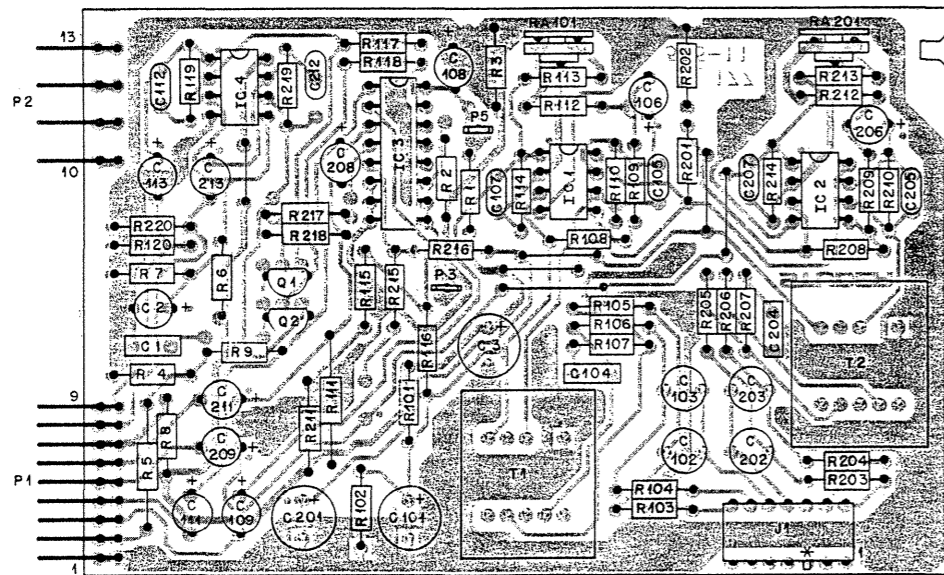
IND.	POS.NO.	PART NO.	VALUE	SPECIFICATIONS / EQUIVALENT	MANUF.
R...113		57.11-3102	1 kOhm	5 %, .25W, MF	
R...114		57.11-3105	1 MOhm	5 %, .25W, MF	
R...117		57.11-3333	33 kOhm	5 %, .25W, MF	
R...118		57.11-3103	10 kOhm	5 %, .25W, MF	
R...120		57.11-3472	4.7 kOhm	5 %, .25W, MF	
R...219		57.11-3103	10 kOhm	5 %, .25W, MF	
Ra...101		58.02-4472	4.7 kOhm	20 %, .1 W, PCer	
T.....1		1-222-451-00		Trafo	

Cer=Ceramic; E1=Electrolytic; PE=Polyester; PP=Polypropylen
 MF=Metal Film; PCer=Pot. Meter Cermet
 MANUFACTURER: TI=Texas Instruments; Ra=Raytheon;
 St=Studer
 ORIG 88-05-02
 STUDER (00) 88-05-02 LINE INPUT MONO AMPLIFIER PL 1.177.521.00 PAGE 2

LINE INPUT 1.177.515-00



LINE INPUT 1.177.515-00



IND.	POS.NO.	PART NO.	VALUE	SPECIFICATIONS / EQUIVALENT	MANUF.
C.....1	59.06.0104	100 nF	20% 25V	PE	
C.....2	59.22.6100	10 uF	-20% 25V	E1	
C.....3	59.22.5101	100 uF	-20% 25V	E1	
C...101	59.22.4101	100 uF	-20% 16V	E1	
C...102	59.05.1681	680 pF	1% 25V	PP	
C...103	59.05.1581	680 pF	1% 25V	PP	
C...104	59.06.0103	10 nF	20% 25V	PE	
C...105	59.34.4151	150 pF	20% 25V	Cer	
C...106	59.22.3470	47 uF	-20% 10V	E1	
C...107	59.34.4151	150 pF	20% 25V	Cer	
C...108	59.22.5220	22 uF	-20% 25V	E1	
C...109	59.22.6100	10 uF	-20% 25V	E1	
C...111	59.22.6100	10 uF	-20% 25V	E1	
C...112	59.34.2470	47 pF	20% 25V	Cer	
C...113	59.22.6100	10 uF	-20% 25V	E1	
C...201	59.22.4101	100 uF	-20% 16V	E1	
C...202	59.05.1681	680 pF	1% 25V	PP	
C...203	59.05.1581	680 pF	1% 25V	PP	
C...204	59.06.0103	10 nF	20% 25V	PE	
C...205	59.34.4151	150 pF	20% 25V	Cer	
C...206	59.22.3470	47 uF	-20% 10V	E1	
C...207	59.34.4151	150 pF	20% 25V	Cer	
C...208	59.22.5220	22 uF	-20% 25V	E1	
C...209	59.22.6100	10 uF	-20% 25V	E1	
C...211	59.22.6100	10 uF	-20% 25V	E1	
C...212	59.34.2470	47 pF	20% 25V	Cer	
C...213	59.22.6100	10 uF	-20% 25V	E1	
IC....1	50.09.0107	RC 4559		Dual Op. Amp	TI
IC....2	50.09.0107	RC 4559		Dual Op. Amp	TI
IC....3	50.07.0015	MC 14053		CMOS	Not
IC....4	50.09.0107	RC 4559		Dual Op. Amp	Rav TI
J.....1	54.01.0244	7-Pole		Cis-Pin Case	
MP....1	1.177.515.11			LINE INPUT PCB	St

STUDER (01) 88.06.01 AL LINE INPUT AMPLIFIER PL 1.177.515.00 PAGE 1

IND.	POS.NO.	PART NO.	VALUE	SPECIFICATIONS / EQUIVALENT	MANUF.
R...119	57.11.4103	10 kOhm	5% ±25% MF		
R...120	57.11.4472	4.7 kOhm	5% ±25% MF		
R...201	57.11.4333	33 kOhm	5% ±25% MF		
R...202	57.11.4333	33 kOhm	5% ±25% MF		
R...203	57.11.3152	1.5 kOhm	1% ±25% MF		
R...204	57.11.3152	1.5 kOhm	1% ±25% MF		
R...205	57.11.4392	3.9 kOhm	5% ±25% MF		
R...206	57.11.4392	3.9 kOhm	5% ±25% MF		
R...207	57.11.4182	1.8 kOhm	5% ±25% MF		
R...208	57.11.4101	100 Ohm	5% ±25% MF		
R...209	57.11.4222	2.2 kOhm	5% ±25% MF		
R...210	57.11.3242	2.4 kOhm	2% ±25% MF		
R...211	57.11.4333	33 kOhm	5% ±25% MF		
R...212	57.11.4332	3.3 kOhm	5% ±25% MF		
R...213	57.11.4102	1 kOhm	5% ±25% MF		
R...214	57.11.4105	1 MOhm	5% ±25% MF		
R...215	57.11.4222	2.2 kOhm	5% ±25% MF		
R...216	57.11.4102	1 kOhm	5% ±25% MF		
R...217	57.11.4103	10 kOhm	5% ±25% MF		
R...218	57.11.4103	10 kOhm	5% ±25% MF		
R...219	57.11.4103	10 kOhm	5% ±25% MF		
R...220	57.11.4472	4.7 kOhm	5% ±25% MF		
RA...101	58.02.4472	4.7 kOhm	20% ±1% PCer		
RA...201	58.02.4472	4.7 kOhm	20% ±1% PCer		
T.....1	1.022.451.00			Trafo	
T.....2	1.022.451.00			Trafo	

STUDER (01) 88.06.01 AL LINE INPUT AMPLIFIER PL 1.177.515.00 PAGE 3

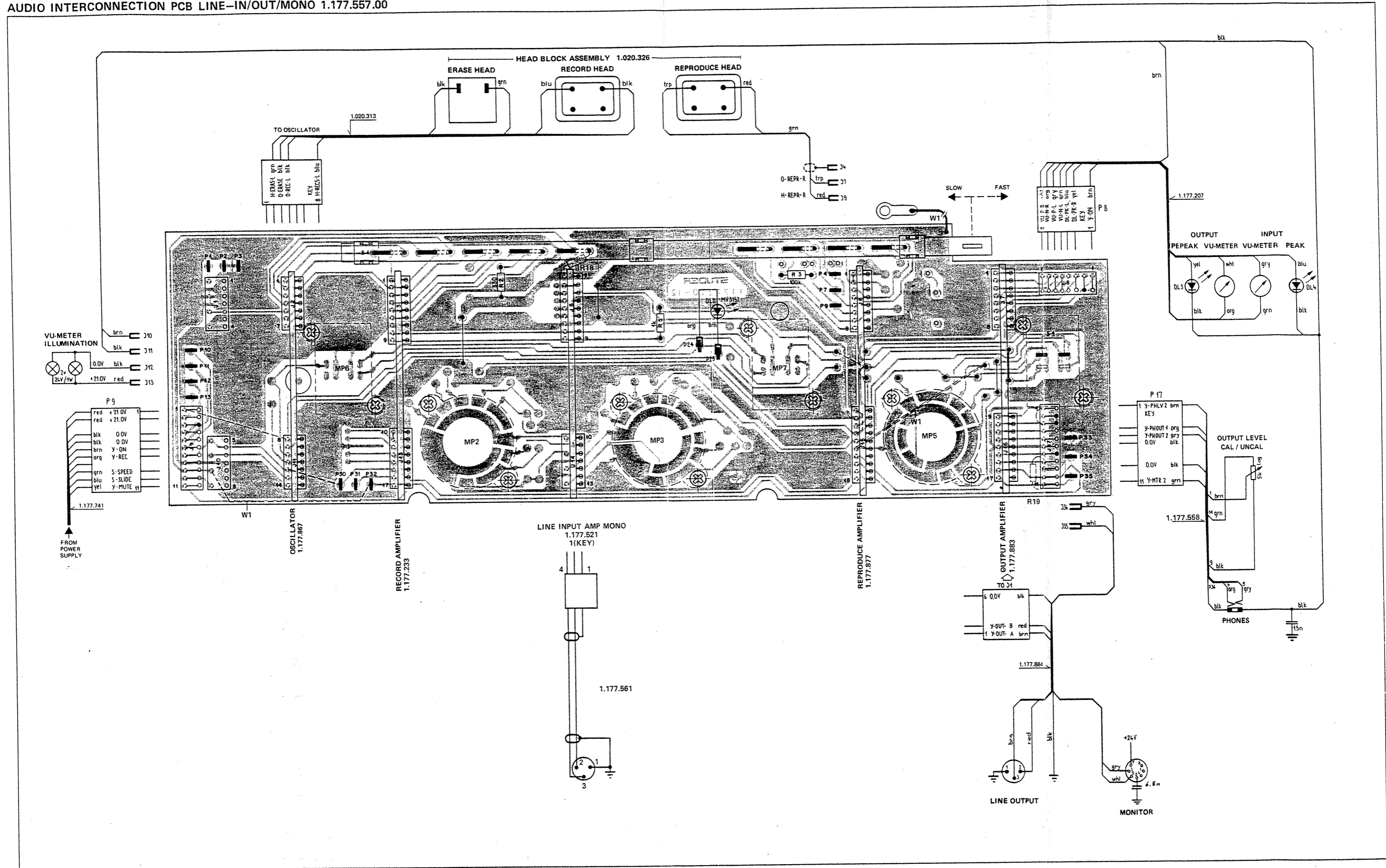
IND.	POS.NO.	PART NO.	VALUE	SPECIFICATIONS / EQUIVALENT	MANUF.
P.....1	54.01.0220	9-Pole		Pin-Strip	
P.....2	54.21.0470	4-Pole		Pin-Strip	
P.....3	54.02.0320			AMP-Connector	
P.....5	54.02.0320			AMP-Connector	
U.....1	50.03.0329	MP 146		FET	
U.....2	50.03.0329	MP 146		FET	
(00) R.....1	57.11.4472	4.7 kOhm	5% ±25% MF		
(01) R.....1	57.11.3102	1 kOhm	5% ±25% MF		
R.....2	57.11.4104	100 kOhm	5% ±25% MF		
(00) R.....3	57.11.4153	15 kOhm	5% ±25% MF		
(01) R.....3	57.11.3562	5.6 kOhm	5% ±25% MF		
R.....4	57.11.4105	1 MOhm	5% ±25% MF		
R.....5	57.11.4333	33 kOhm	5% ±25% MF		
R.....6	57.11.4224	220 kOhm	5% ±25% MF		
R.....7	57.11.4224	220 kOhm	5% ±25% MF		
R.....8	57.11.4470	47 Ohm	5% ±25% MF		
R.....9	57.11.5106	10 MOhm	10% ±25% MF		
R...101	57.11.4333	33 kOhm	5% ±25% MF		
R...102	57.11.4333	33 kOhm	5% ±25% MF		
R...103	57.11.3152	1.5 kOhm	1% ±25% MF		
R...104	57.11.3152	1.5 kOhm	1% ±25% MF		
R...105	57.11.4392	3.9 kOhm	5% ±25% MF		
R...106	57.11.4392	3.9 kOhm	5% ±25% MF		
R...107	57.11.4182	1.8 kOhm	5% ±25% MF		
R...108	57.11.4101	100 Ohm	5% ±25% MF		
R...109	57.11.4222	2.2 kOhm	5% ±25% MF		
R...110	57.11.3242	2.4 kOhm	2% ±25% MF		
R...111	57.11.4333	33 kOhm	5% ±25% MF		
R...112	57.11.4332	3.3 kOhm	5% ±25% MF		
R...113	57.11.4102	1 kOhm	5% ±25% MF		
R...114	57.11.4105	1 MOhm	5% ±25% MF		
R...115	57.11.4222	2.2 kOhm	5% ±25% MF		
R...116	57.11.4102	1 kOhm	5% ±25% MF		
R...117	57.11.4103	10 kOhm	5% ±25% MF		
R...118	57.11.4103	10 kOhm	5% ±25% MF		

STUDER (01) 88.06.01 AL LINE INPUT AMPLIFIER PL 1.177.515.00 PAGE 2

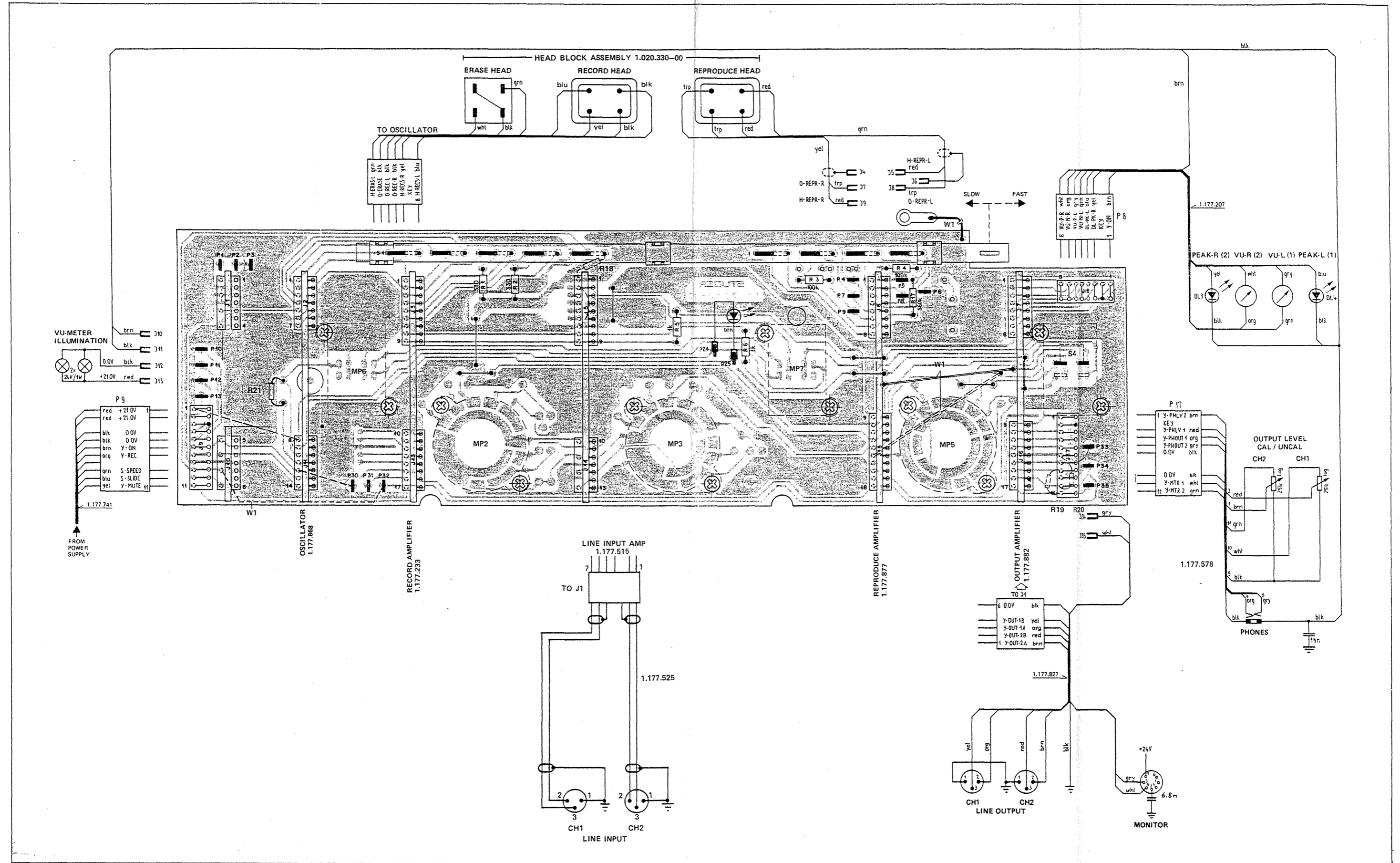
IND.	POS.NO.	PART NO.	VALUE	SPECIFICATIONS / EQUIVALENT	MANUF.
(01) 1. 0-88					
Cer=				Ceramic	
El=				Electrolytic	
PE=				Polyester	
PP=				Polypropylen	
MF=				Metal Film	
PCer=				Pot.Meter Cermet	
MANUFACTURER:				TI=Texas Instruments, Ra=Raytheon, St=Studer	

STUDER (01) 88.06.01 AL LINE INPUT AMPLIFIER PL 1.177.515.00 PAGE 4

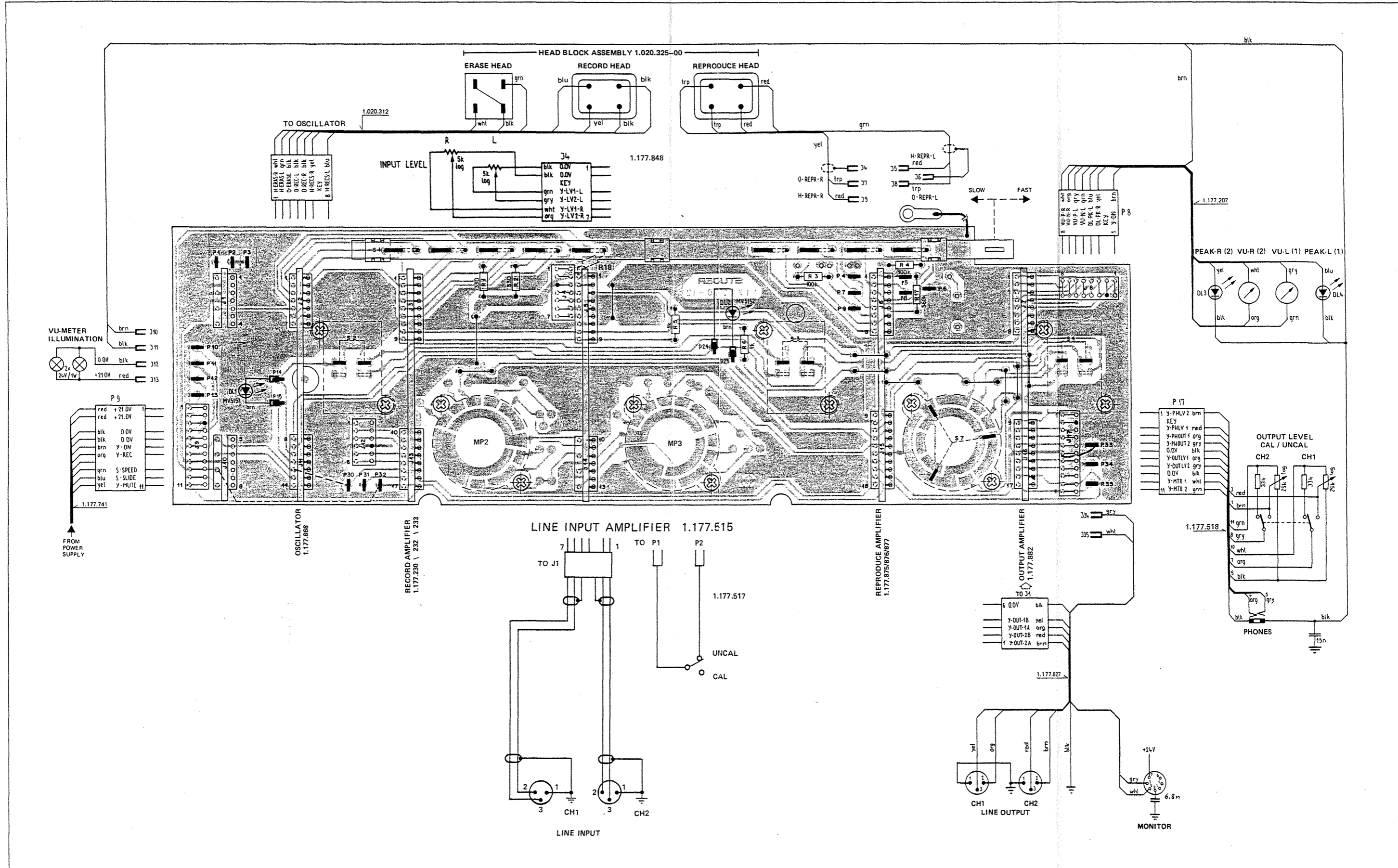
AUDIO INTERCONNECTION PCB LINE-IN/OUT/MONO 1.177.557.00



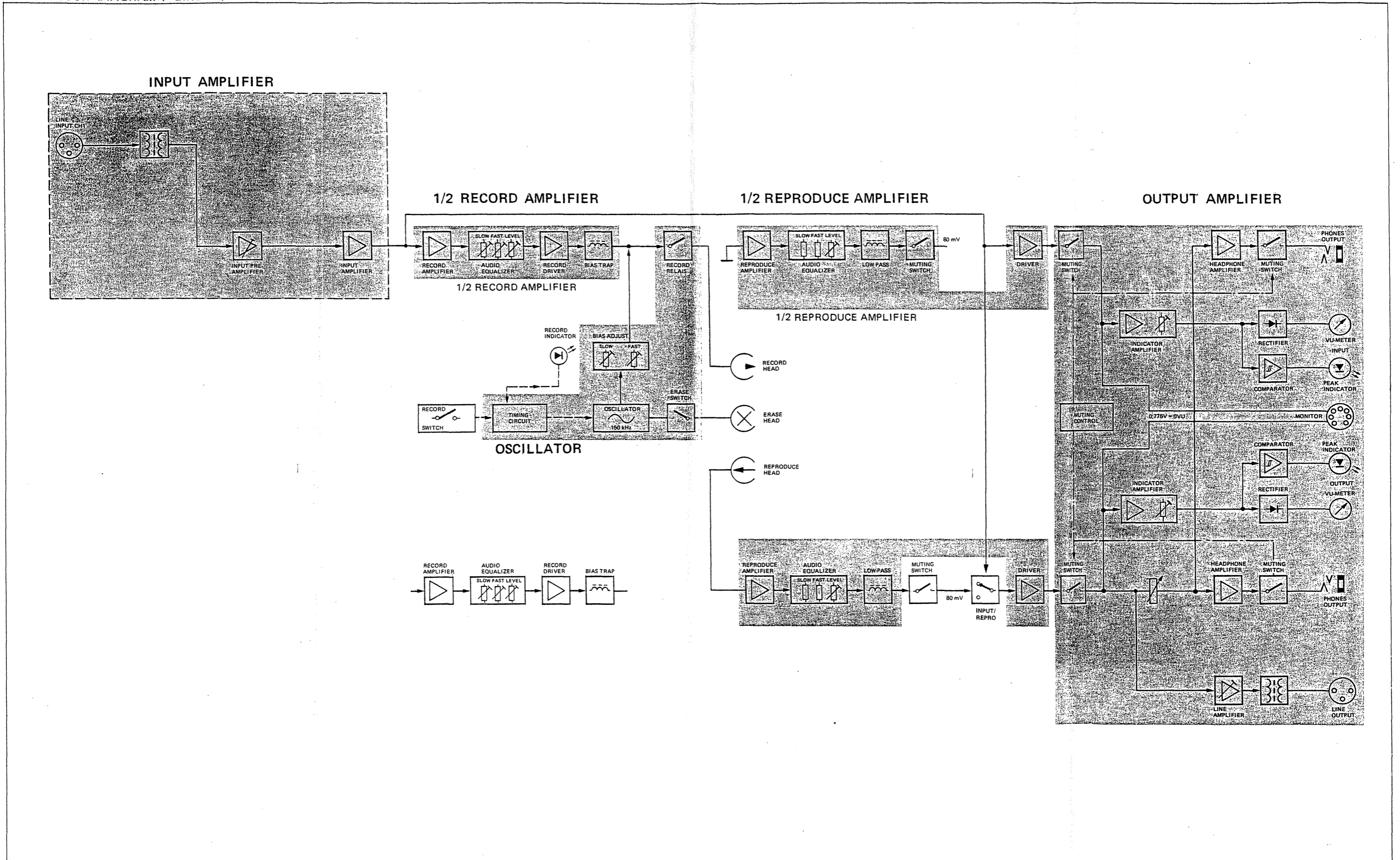
AUDIO INTERCONNECTION PCB LINE-IN/OUT/STEREO 1.177.577.00



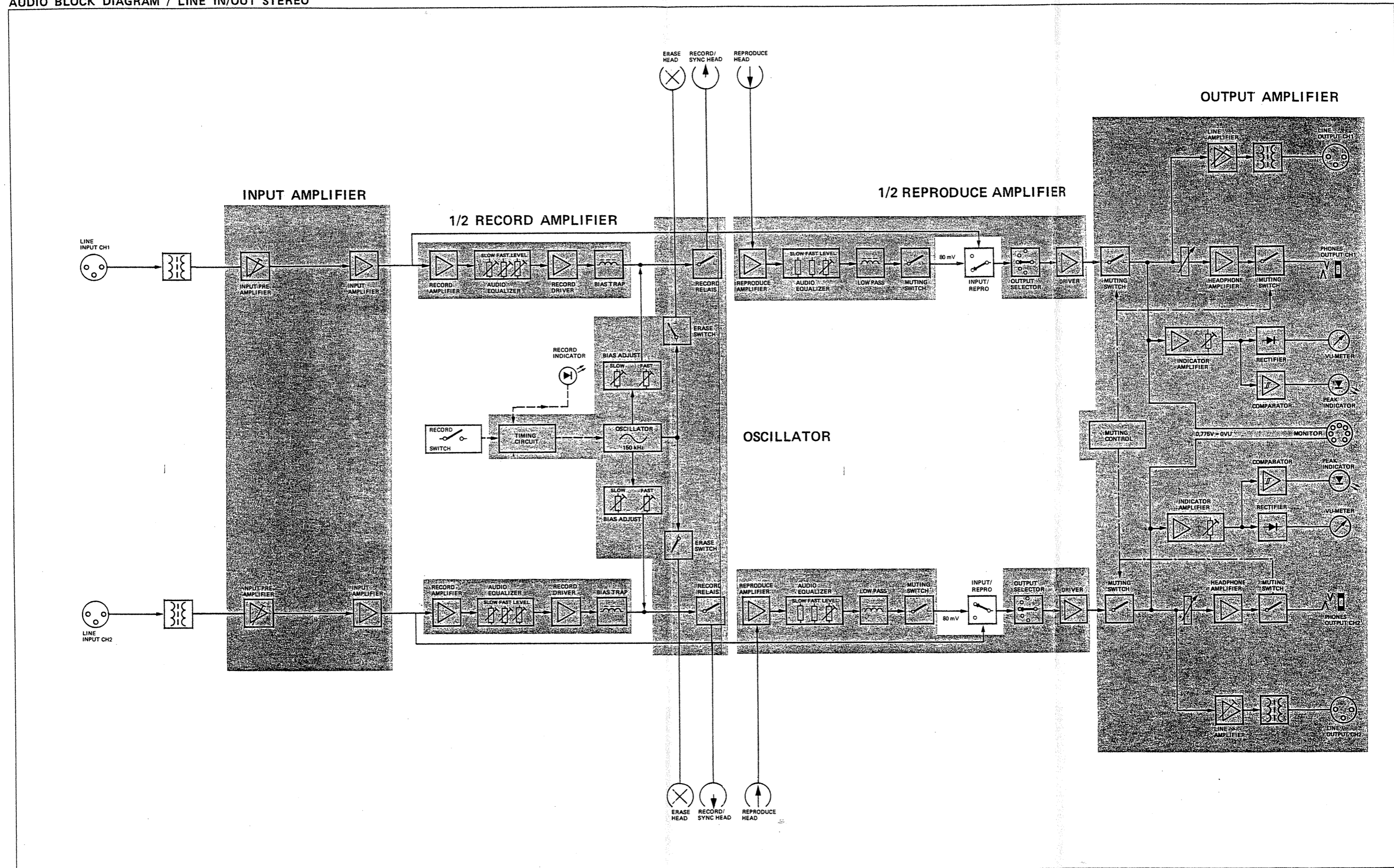
AUDIO INTERCONNECTION PCB / STEREO 1.177.516-00



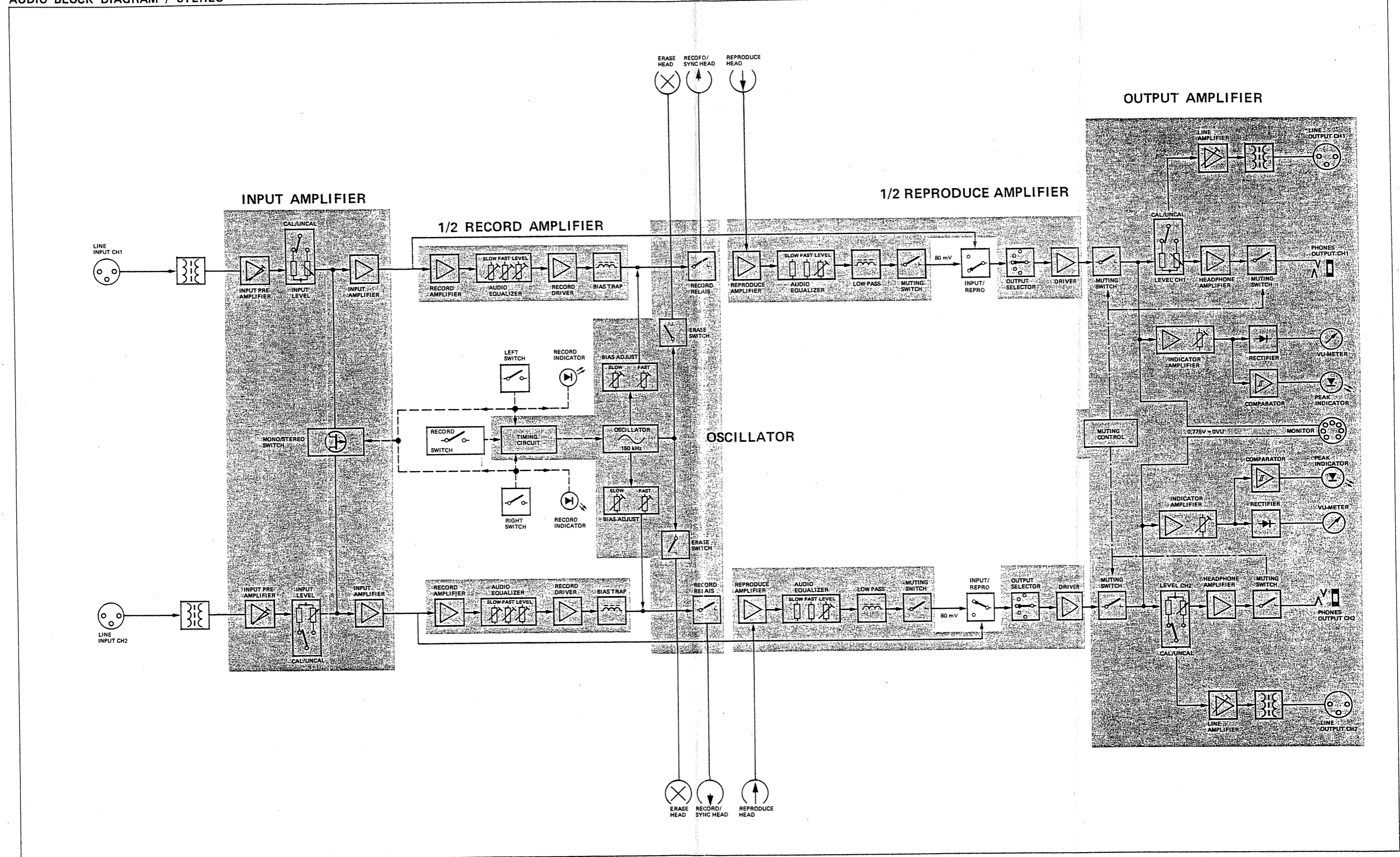
AUDIO BLOCK DIAGRAM / LINE IN/OUT MONO



AUDIO BLOCK DIAGRAM / LINE IN/OUT STEREO



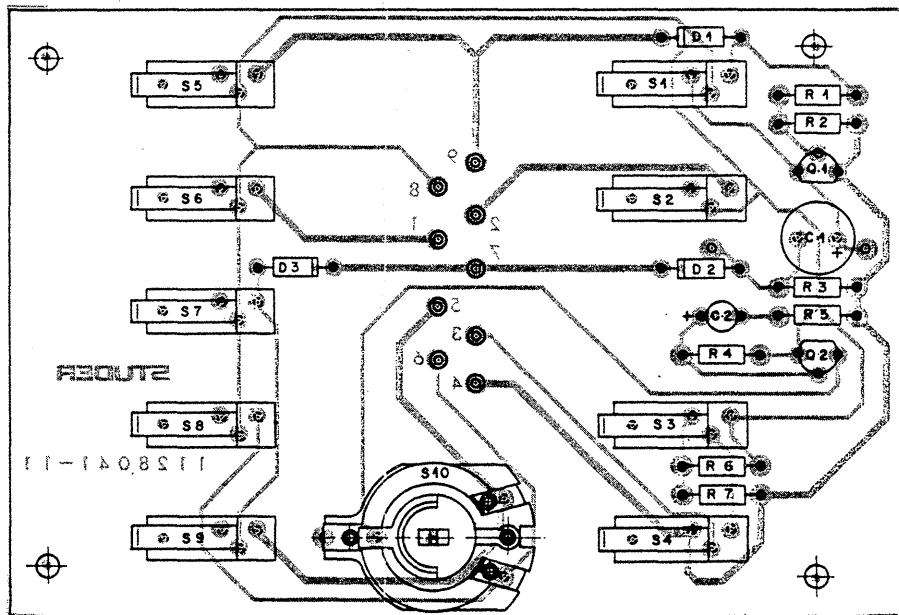
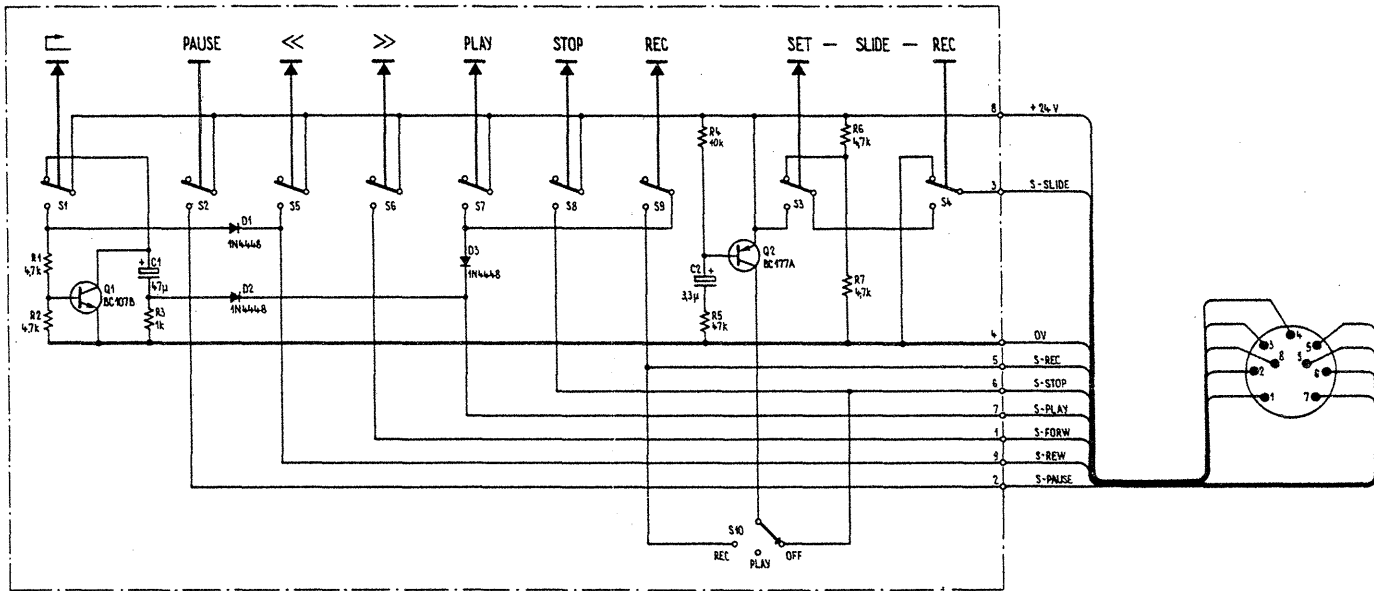
AUDIO BLOCK DIAGRAM / STEREO



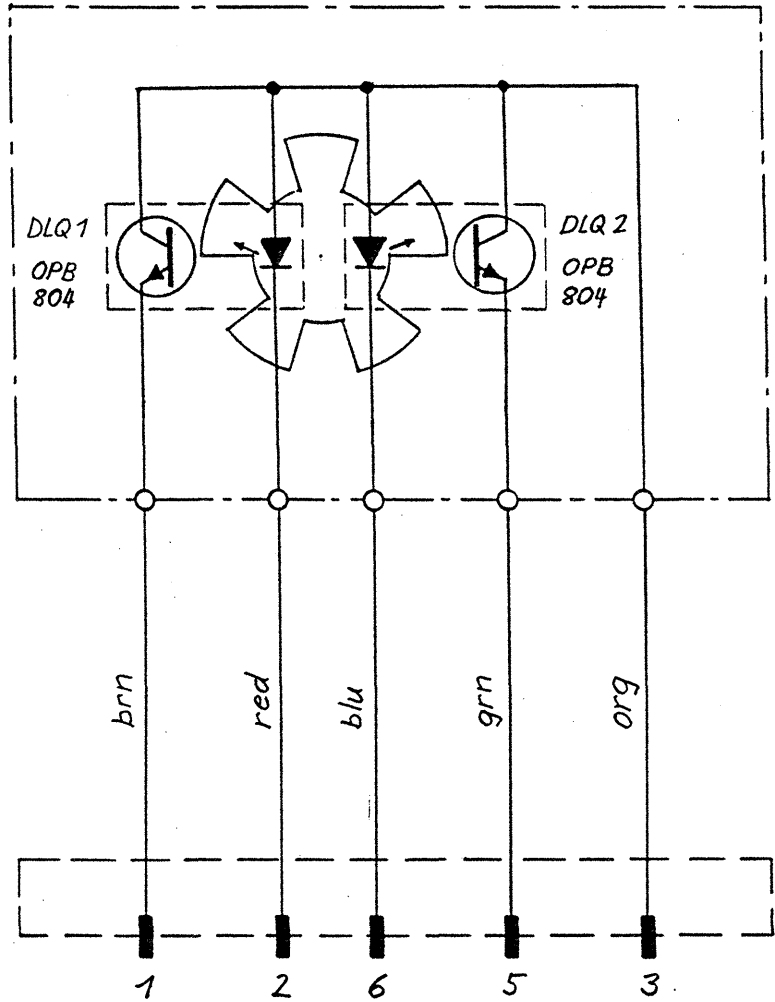
CONTENTS

DESCRIPTION	SCHEMATIC NO.	SECTION/PAGE
AUDIO		
AUDIO BLOCK DIAGRAM / STEREO		8/2
AUDIO BLOCK DIAGRAM / STEREO LINE LINE IN/OUT		8/3
AUDIO BLOCK DIAGRAM / MONO LINE IN/OUT		8/4
AUDIO INTERCONNECTION PCB / STEREO	1.177.516.00	8/5
AUDIO INTERCONNECTION PCB / STEREO LINE IN/OUT	1.177.577.00	8/6
AUDIO INTERCONNECTION PCB / MONO LINE LINE IN/OUT	1.177.557.00	8/7
INPUT AMPLIFIER PCB STEREO	1.177.515.00	8/8
INPUT AMPLIFIER PCB MONO	1.177.521.00	8/10
RECORD AMPLIFIER PCB (NAB 3 3/4 - 7 1/2 ips)	1.177.230.81	8/12
RECORD AMPLIFIER PCB (NAB 7 1/2 - 15 ips)	1.177.232.81	8/14
RECORD AMPLIFIER PCB (IEC 7 1/2 - 15 ips)	1.177.233.81	8/16
OSCILLATOR PCB / STEREO	1.177.868.84	8/18
OSCILLATOR PCB / MONO	1.177.867.82	8/20
REPRODUCE AMPL. PCB (NAB 3 3/4 - 7 1/2 ips)	1.177.875.82	8/22
REPRODUCE AMPL. PCB (NAB 7 1/2 - 15 ips)	1.177.876.82	8/22
REPRODUCE AMPL. PCB (IEC 7 1/2 - 15 ips)	1.177.877.82	8/22
OUTPUT AMPLIFIER PCB / STEREO	1.177.882.00	8/24
OUTPUT AMPLIFIER PCB / MONO	1.177.883.00	8/26
MONITOR PANEL / STEREO	1.177.920.00	8/28
- WIRE HARNESS TO MONITOR PANEL	1.177.923.00	8/28
- MONITOR AMPLIFIER PCB	1.177.921.00	8/29
MONITOR PANEL / MONO	1.177.925.00	8/30
- WIRE HARNESS TO MONITOR PANEL	1.177.923.00	8/30
- MONITOR AMPLIFIER PCB	1.177.921.00	8/31
MONITOR PANEL / 2CH	1.177.927.00	8/32
- MONITOR AMPLIFIER PCB	1.177.921.00	8/32
- WIRE HARNESS TO MONITOR PANEL	1.177.919.00	8/32

REMOTE CONTROL UNIT / COMMAND SWITCHES 1.128.040

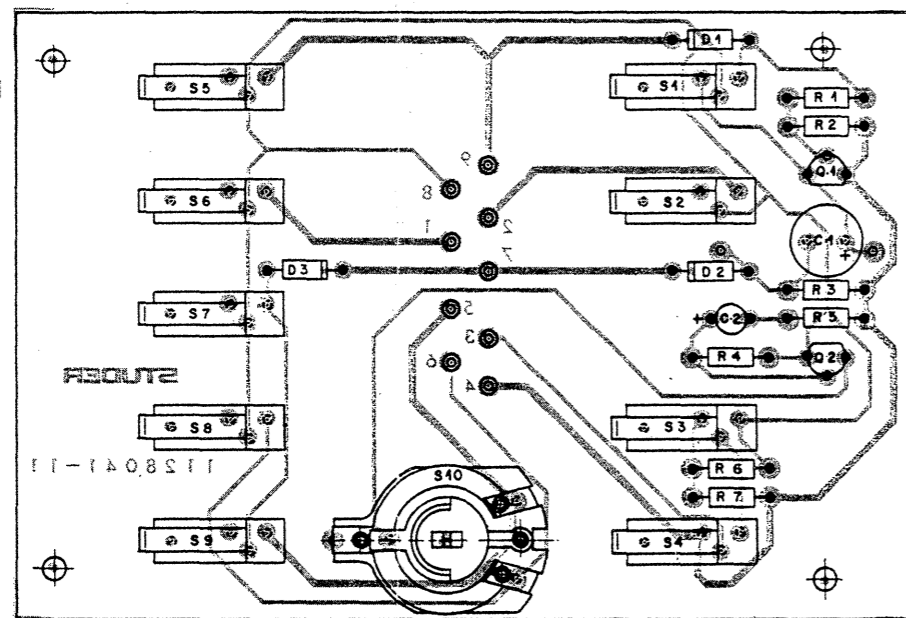
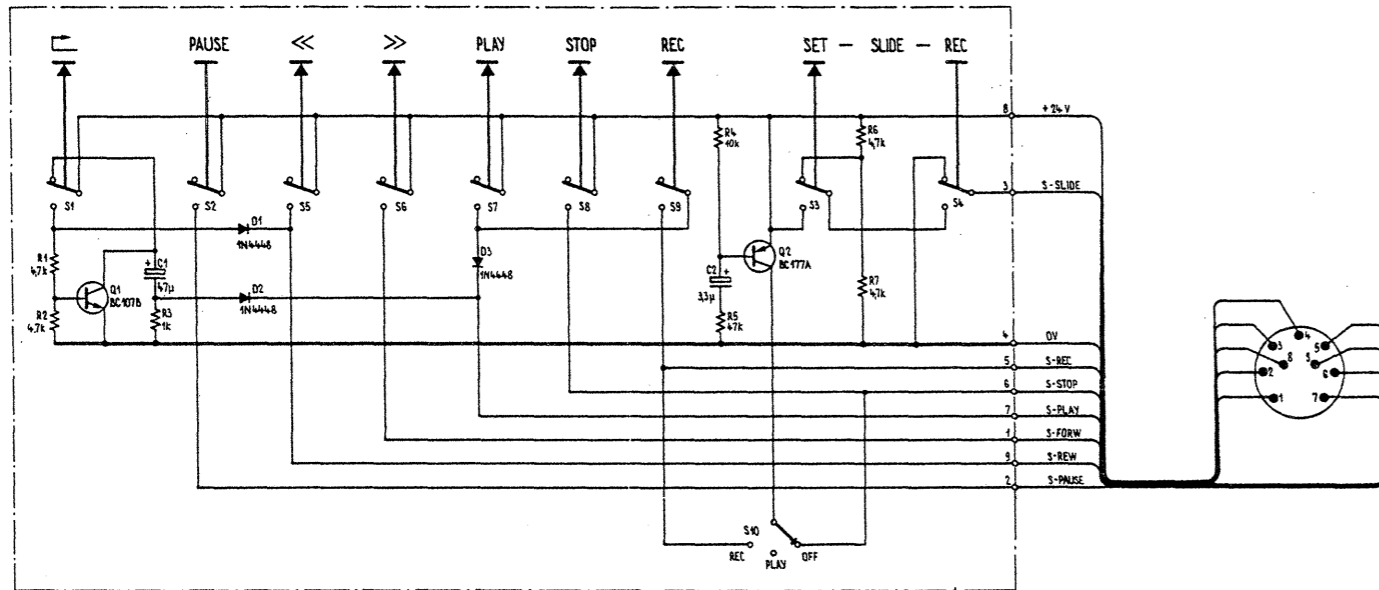


TAPE MOVE SENSOR PCB 1.020.316



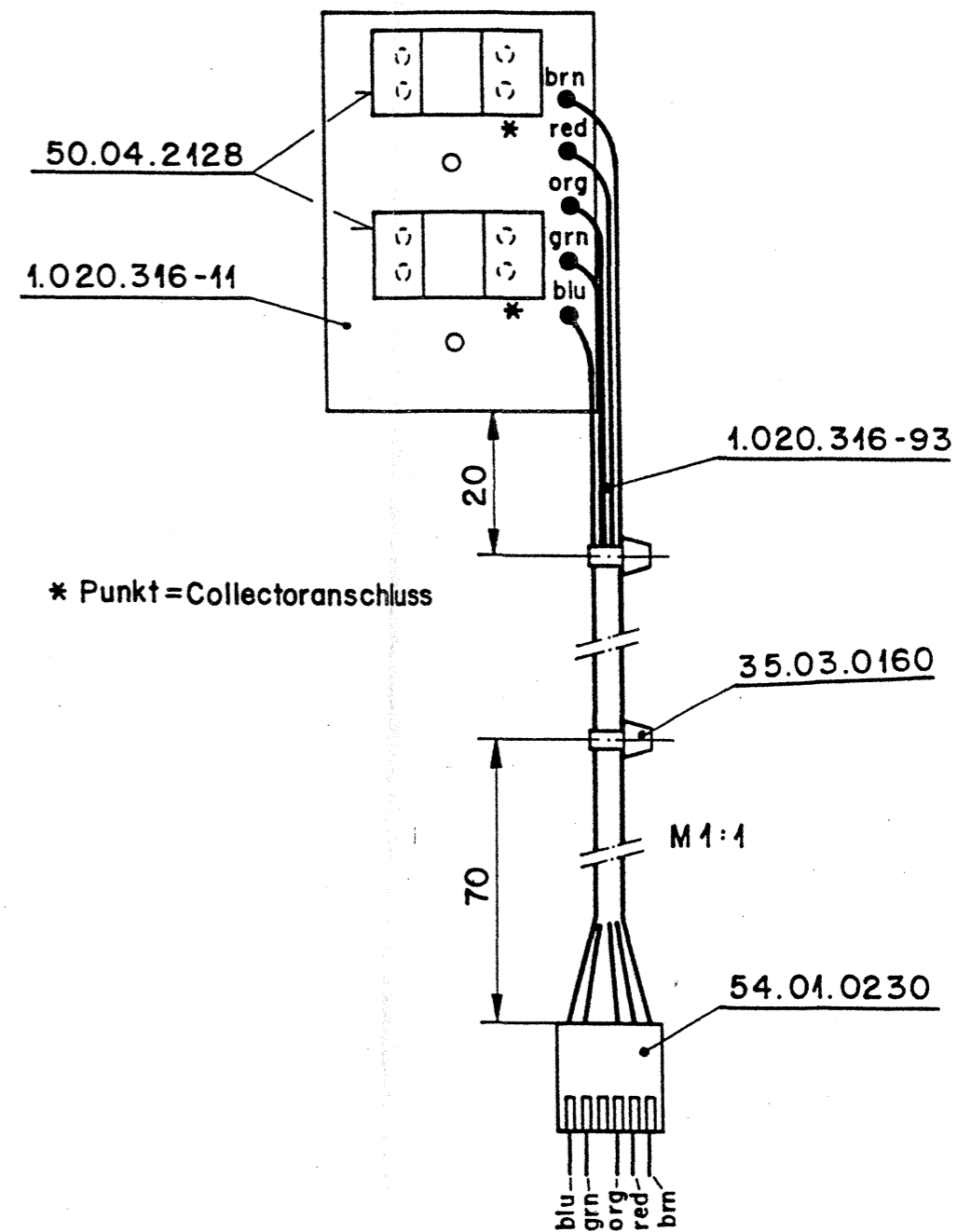
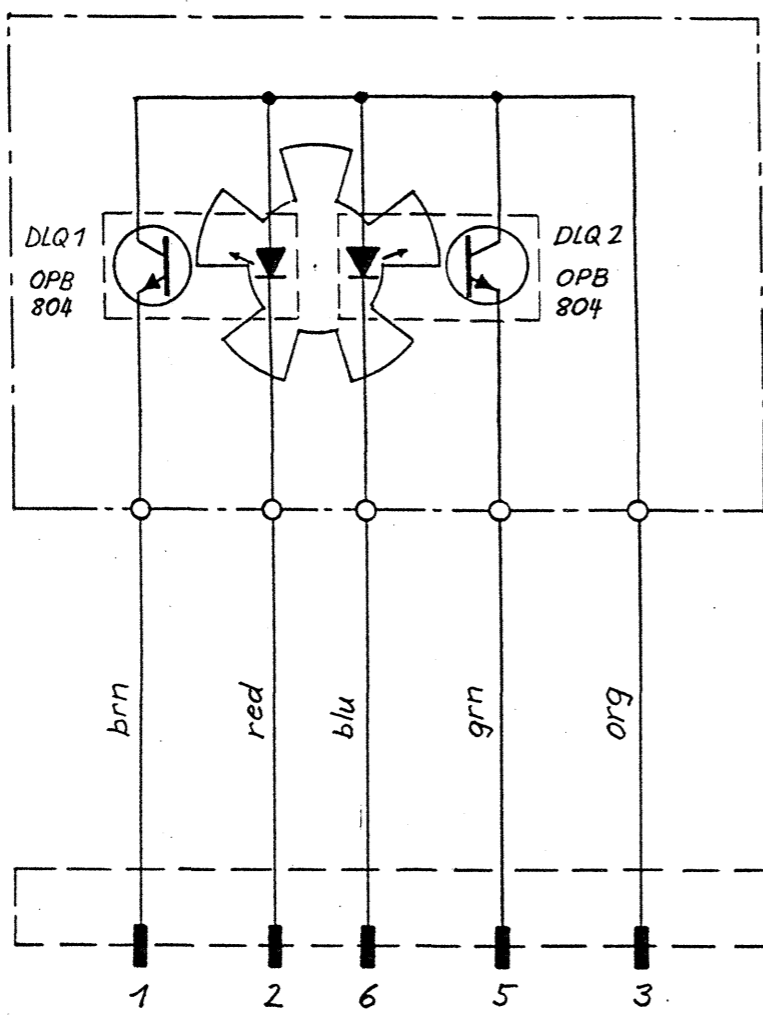
© 10.7.85	Rec	○ ..	○ ..	○ ..	○ ..
			PR 99 MK II		PAGE 1
STUDER	TAPE MOVE SENSOR PCB				1.020.316

REMOTE CONTROL UNIT / COMMAND SWITCHES 1.128.040



POS NO	PART NO	VALUE	SPECIFICATIONS	EQUIVALENT	MFR		
C 01	59.22.6470	.47 U	-10% 40V	EL			
C 02	59.30.6339	3.3 U	-20% 35V	TA			
D 01-3	50.04.0125	1 N 4448		SI			
Q 01	50.03.0436	BC 107 B		NPN			
Q 02	50.03.0317	BC 177 A		PNP			
R 01	57.41.4472	4.7 K	5% .25W	CSCH			
R 02	57.41.4472	4.7 K					
R 03	57.41.4102	1 K					
R 04	57.41.4103	10 K			(1)		
R 05-07	57.41.4473	47 K					
S 01-09	55.99.0139	1 x U	Microsw.	AG			
S 10	55.99.0142	3 x U	Dreh	UNTER.			
					IND	DATE	NAME
STUDER					Laufwerkfernsteuerprint	1.128.041	PAGE 1 of 1

TAPE MOVE SENSOR PCB 1.020.316

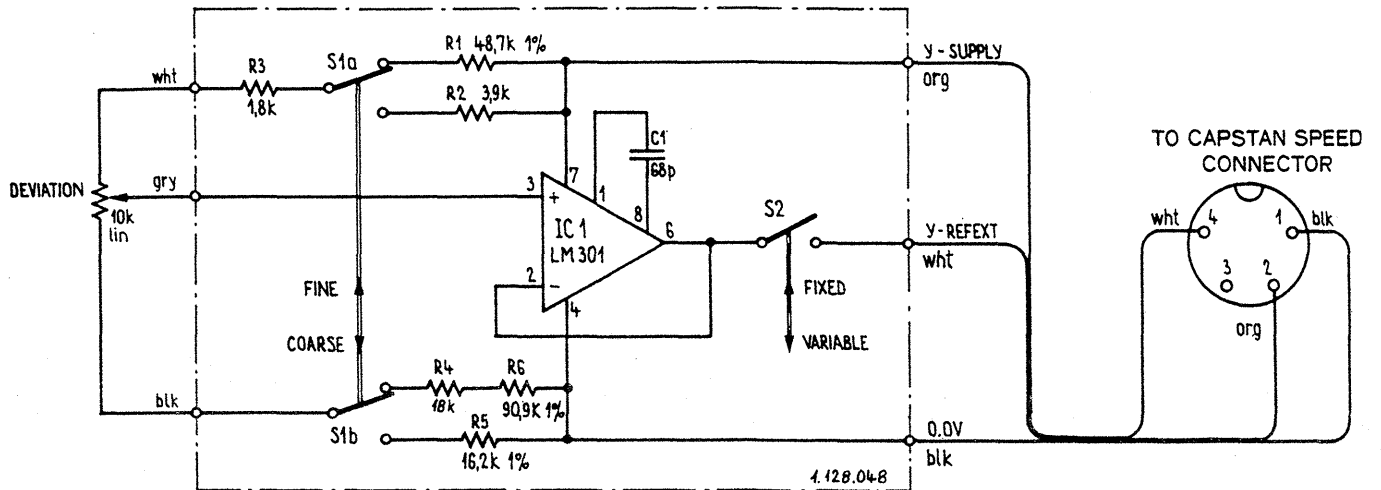


⑩ 10.7.85	Rec	○ ..	○ ..	○ ..	○ ..
PR 99 MK II				PAGE 1 OF 1	
STUDER		TAPE MOVE SENSOR PCB		1.020.316-00	

IND.	POS-NO.	PART NO.	VALUE	SPECIFICATIONS / EQUIVALENT	MANUF.
DLO...1		50.04.2128	OPR 804	Slotted Optical Switch	Op
DLO...2		50.04.2128	OPR 304	Slotted Optical Switch	Op

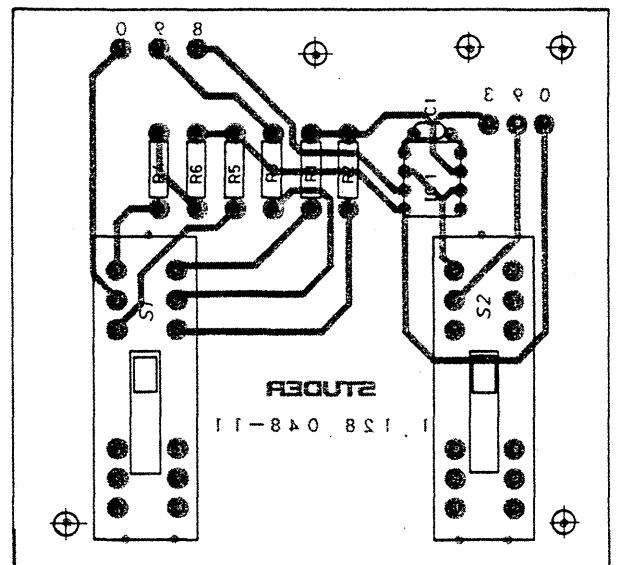
MANUFACTURER: Op = Optron
 ORIG 85/07/10
 S T U D E R (100) 85/07/10 Rvc TAPE MOVE SENSOR PCB 1.020.316-00 PAGE 1

VARIABLE SPEED CONTROL UNIT/EXTERNAL 1.128.045

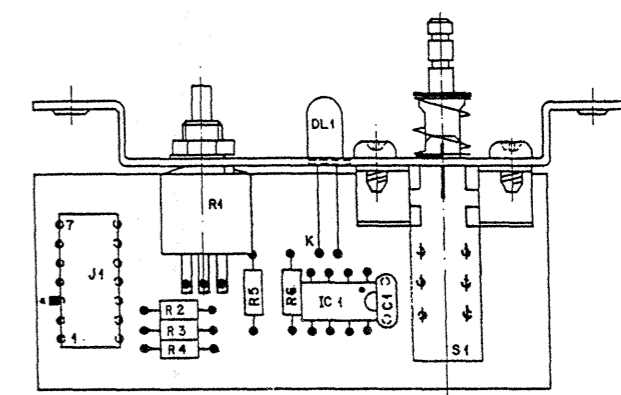
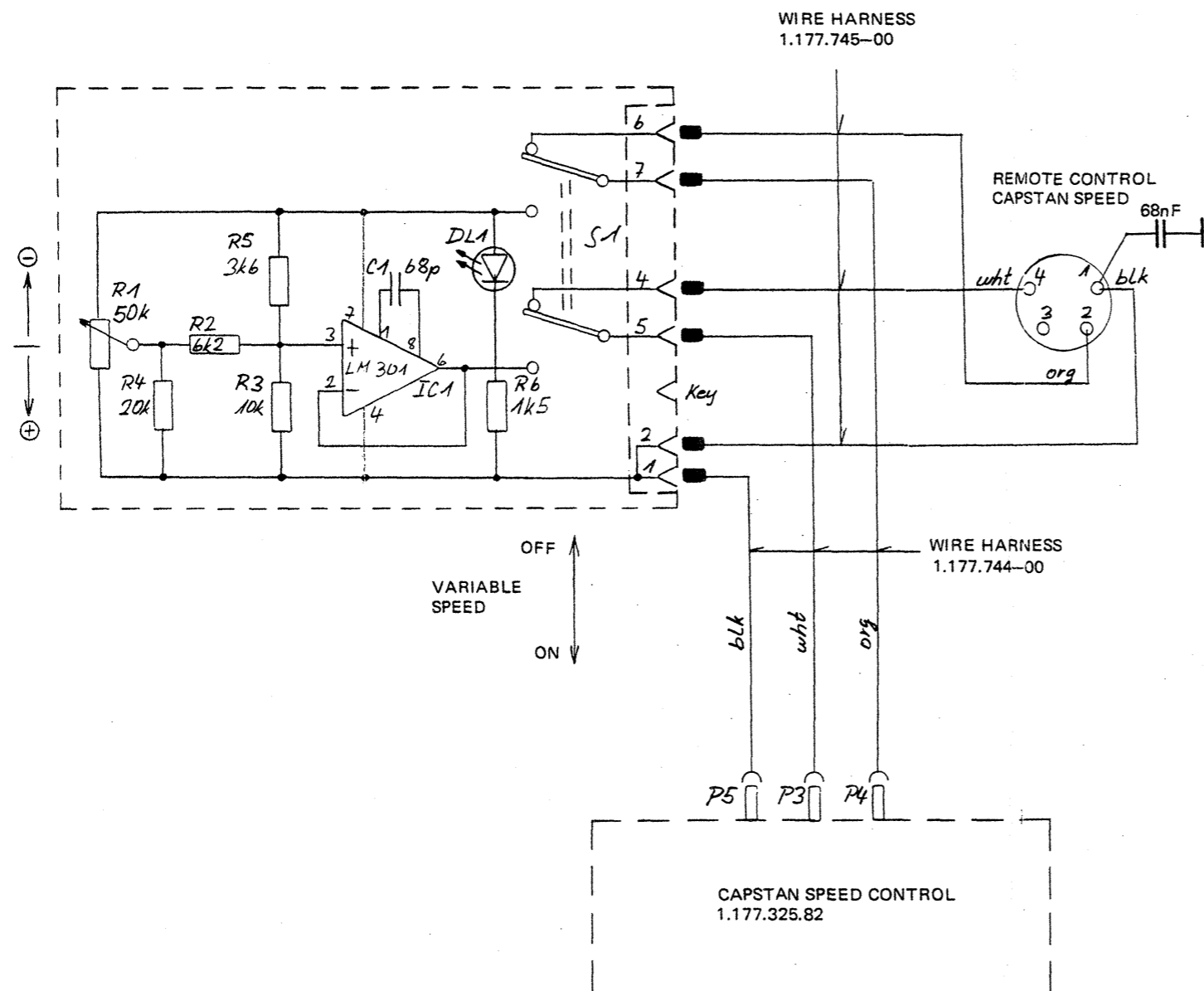


POS NO	PART NO	VALUE	SPECIFICATIONS	EQUIVALENT MFR
C 01	59.32.1680	68 P	10% 500V XZR	
IC 1	50.05.0144	LM 301 AN	LIN	
R 01	57.39.4872	48,7 K	.25W 1% MF	(1)
R 02	57.41.4392	3,9 K	5% CSCH	(1)
R 03	57.41.4182	1,8 K	5% CSCH	(1)
R 04	57.41.4183	.18 K	5% CSCH	(1)
R 05	57.39.1622	16,2 K	1% MF	(1)
R 06	57.39.9092	90,9 K	1% MF	(1)
S 01	1.128.021.03		Schiebeschalter	
S 02	1.128.021.03		Schiebeschalter	

①			
②			
③	14.9.77		
④	28.1.77		
IND	DATE	NAME	
STUDER	Capstannachsteuerprint	1.128.048	PAGE 1 of 1



VARIABLE SPEED CONTROL PCB 1.177.966



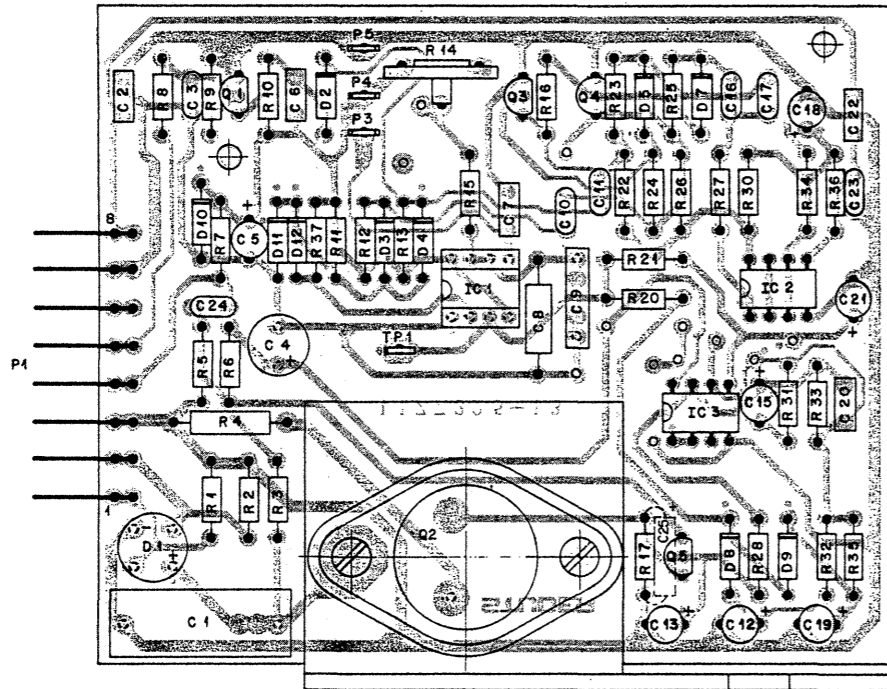
IND.	POS.NO.	PART NO.	VALUE	SPECIFICATIONS / EQUIVALENT	MANUF.
C.....1		59.32.1680	68 pF	10%, 25V Cer	
DL.....1		50.04.2111	MV 5753		MS.
J.....1		54.01.0218	7 Pole	Cis socket	AMP
IC.....1		50.05.0257	LM 301AN	Dual Op. Amp.	TI.
R.....1		56.03.3903	50 kOhm	10%, 0.50W, Poem. linear.	AB.
R.....2		57.11.4022	6.2 kOhm	5%, 0.25W, CF	
R.....3		57.11.4103	10 kOhm	5%, 0.25W, CF	
R.....4		57.11.4203	20 kOhm	5%, 0.25W, CF	
R.....5		57.11.4362	3.6 kOhm	5%, 0.25W, CF	
R.....6		57.11.4152	1.5 kOhm	5%, 0.25W, CF	
S.....1		1.177.100.07		Switch	SC.

Cer=Ceramic, CF=Carbon Film
 Manufacturer: AB=Allen Bradley, MS=Monsanto,
 SC=Studer, TI=Texas Instruments.

ORIG 84/08/16
 STUDER (00) 84/08/16 Mch VARISPEED CONTROL 1.177.966.00 PAGE 1

84.08.16	PR 99 MK 2		
STUDER	VARIABLE SPEED CONTROL	1.177.966.00	PAGE 1 OF 1

CAPSTAN SPEED CONTROL PCB 1.177.325.82



IND.	POS.-NO.	PART NO.	VALUE	SPECIFICATIONS / EQUIVALENT	MANUF.
C.....1	59.09-0450	0.47 uF	10%, 150V,	MP	
C.....2	59.06-0104	0.1 uF	10%, 25V,	PE	
C.....3	59.32-3472	4700 pF	20%, 25V,	Cer	
C.....4	59.22-5470	47 uF	-10%, 25V,	E1	
C.....5	59.22-5220	22 uF	-10%, 25V,	E1	
C.....6	59.06-0104	0.1 uF	10%, 25V,	PE	
C.....7	59.06-0103	0.01 uF	10%, 25V,	PE	
C.....8	59.12-8152	1800 pF	1%, 125V,	PS	
C.....9	59.99-0517	4700 pF	2.5%, 160V,	PC	WINA, FXC-3 type
C.....10	59.34-5471	470 pF	10%, 25V,	Cer	
C.....11	59.34-5471	470 pF	10%, 25V,	Cer	
C.....12	59.22-6100	10 uF	-10%, 25V,	E1	
C.....13	59.22-6109	1 uF	-10%, 25V,	E1	
(00) C.....13	59.30-6478	0.47 uF	10%, 35V,	TA	
(01) C.....13	59.22-6100	10 uF	-10%, 25V,	E1	
C.....16	59.32-3472	4700 pF	20%, 25V,	Cer	
C.....17	59.32-3472	4700 pF	20%, 25V,	Cer	
C.....18	59.22-6100	10 uF	-10%, 25V,	E1	
C.....19	59.22-6100	10 uF	-10%, 25V,	E1	
C.....20	59.06-0224	0.22 uF	10%, 25V,	PE	
(00) C.....21	59.22-8109	1 uF	-15%, 25V,	E1	
(01) C.....21	59.30-6478	0.47 uF	10%, 35V,	TA	
C.....22	59.06-0473	47 nF	10%, 25V,	PE	
C.....23	59.32-1220	22 pF	10%, 250V,	Cer	
C.....24	59.32-1220	22 pF	10%, 250V,	Cer	
(01) C.....25	59.25-6229	2.2 uF	-10%, 63V,	E1	
D.....1	70.01-0223	B250 C800			
D.....2	50.04-0125	L N 4448		any	
D.....3	50.04-0125	L N 4448		any	
D.....4	50.04-0125	L N 4448		any	
D.....5	50.04-0125	L N 4448		any	
D.....6	50.04-0125	L N 4448		any	
D.....7	50.04-0125	L N 4448		any	
D.....8	50.04-0125	L N 4448		any	
D.....9	50.04-0125	L N 4448		any	
D.....10	50.04-1119	15 V		5%, 400mm, Z	
D.....11	50.04-0125	L N 4448		any	

S T U D E R (01) 86/05/28 Mch CAPSTAN SPEED CONTROL PL 1.177.325.82 PAGE 1

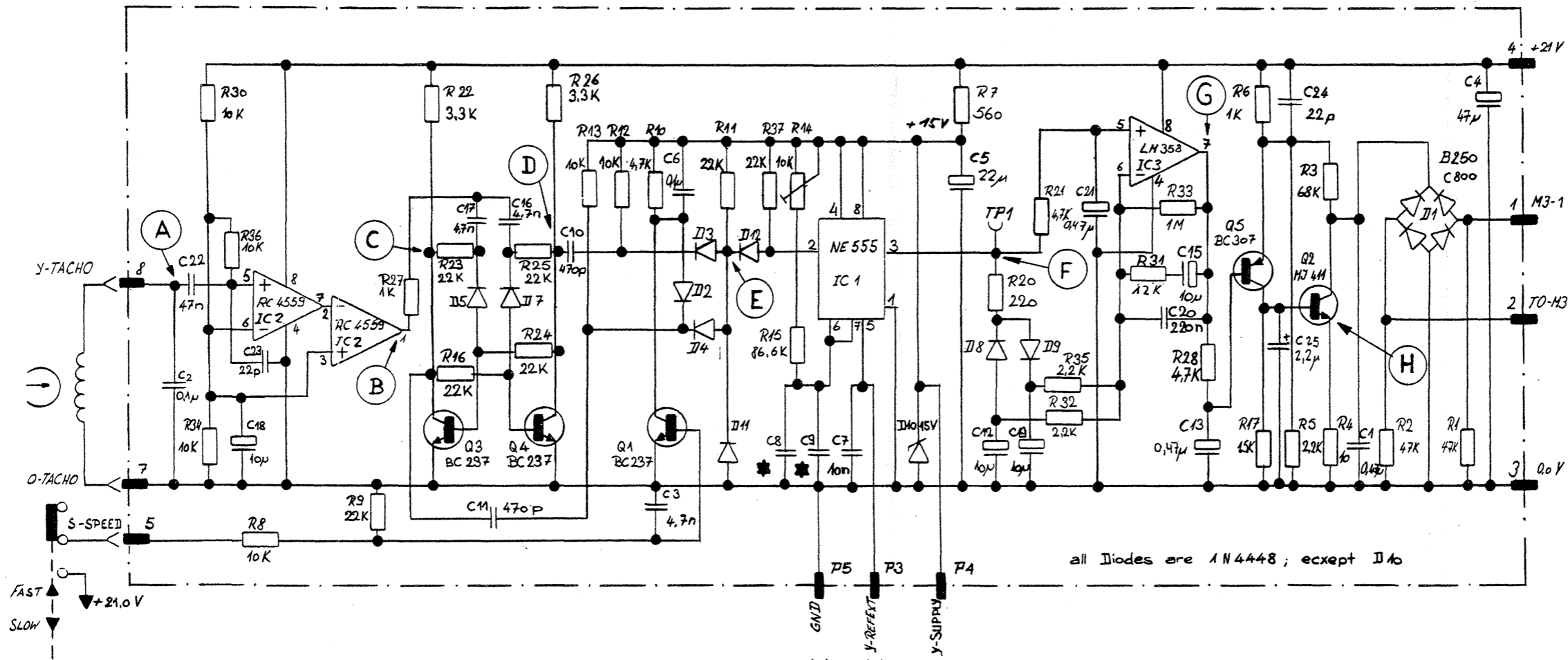
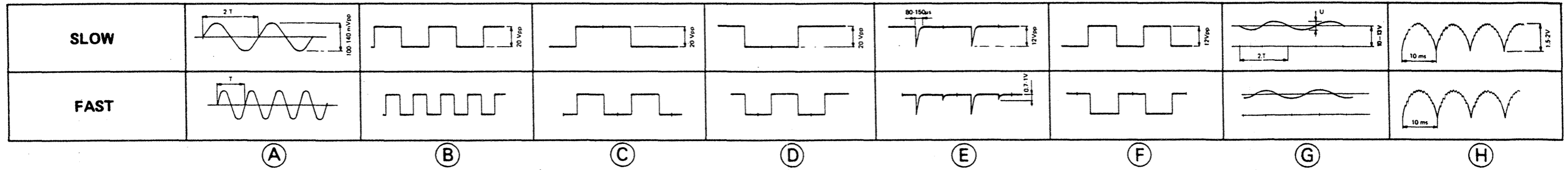
IND.	POS.-NO.	PART NO.	VALUE	SPECIFICATIONS / EQUIVALENT	MANUF.
D.....12	50.04-0125	L N 4448		any	
IC.....1	50.75-0198	NE 555		Timer	MC1455P S-M
IC.....2	50.75-0198	NE 555		Timer	MC1455P S-M
IC.....3	50.05-0286	LM 358			TI
NP.....1	1.177.325.13			CAPSTAN SPEED CONTROL PCB	
P.....1	54.01-0582	8-Pole		Pin-Strip	AMP
P.....2	54.02-0320	Flat-Pin 0.8			AMP
P.....3	54.02-0320	Flat-Pin 0.8			AMP
P.....4	54.02-0320	Flat-Pin 0.8			AMP
P.....5	54.02-0320	Flat-Pin 0.8			AMP
J.....1	50.03-0436	BC 237		NPN	ITT
U.....2	50.03-0477	HJ 411		NPN-Power	RCA 411 M-RCA
U.....3	50.03-0436	BC 237		NPN	ITT
U.....4	50.03-0436	BC 237		NPN	ITT
U.....5	50.03-0515	BC 307		PNP	ITT
R.....1	57.11-4473	47 KOhm		5%, 0.25W, CF	
R.....2	57.11-4473	47 KOhm		5%, 0.25W, CF	
R.....3	57.11-4683	68 KOhm		5%, 0.25W, CF	
R.....4	57.11-4103	10 Ohm		5%, 0.33W, CF	
R.....5	57.11-4222	2.2 KOhm		5%, 0.25W, CF	
R.....6	57.11-4102	1 KOhm		5%, 0.25W, CF	
R.....7	57.11-4561	560 Ohm		5%, 0.25W, CF	
R.....8	57.11-4103	10 KOhm		5%, 0.25W, CF	
R.....9	57.11-4223	22 KOhm		5%, 0.25W, CF	
R.....10	57.11-4472	4.7 KOhm		5%, 0.25W, CF	
R.....11	57.11-4223	22 KOhm		5%, 0.25W, CF	
R.....12	57.11-4103	10 KOhm		5%, 0.25W, CF	
R.....13	57.11-4103	10 KOhm		5%, 0.25W, CF	
R.....14	58.99-0126	10 KOhm		10%, 500ppm/°C, PCF	
R.....15	57.99-0179	80.0KOhm		1%, 500ppm	
R.....16	57.11-4223	22 KOhm		5%, 0.25W, CF	
R.....17	57.11-4152	1.5 KOhm		5%, 0.25W, CF	

S T U D E R (01) 86/05/28 Mch CAPSTAN SPEED CONTROL PL 1.177.325.82 PAGE 2

IND.	POS.-NO.	PART NO.	VALUE	SPECIFICATIONS / EQUIVALENT	MANUF.
R.....20	57.11-4221	220 Ohm		5%, 0.25W, CF	
R.....21	57.11-4472	4.7 KOhm		5%, 0.25W, CF	
R.....22	57.11-4332	3.3 KOhm		5%, 0.25W, CF	
R.....23	57.11-4223	22 KOhm		5%, 0.25W, CF	
R.....24	57.11-4223	22 KOhm		5%, 0.25W, CF	
R.....25	57.11-4223	22 KOhm		5%, 0.25W, CF	
R.....26	57.11-4332	3.3 KOhm		5%, 0.25W, CF	
R.....27	57.11-4102	1 KOhm		5%, 0.25W, CF	
R.....28	57.11-4472	4.7 KOhm		5%, 0.25W, CF	
R.....29	57.11-4103	10 KOhm		5%, 0.25W, CF	
(00) R.....31	57.11-4682	6.8 KOhm		5%, 0.25W, CF	
(01) R.....31	57.11-4123	12 KOhm		5%, 0.25W, CF	
R.....32	57.11-4222	2.2 KOhm		5%, 0.25W, CF	
R.....33	57.11-4105	1 MOhm		5%, 0.25W, CF	
R.....34	57.11-4103	10 KOhm		5%, 0.25W, CF	
R.....35	57.11-4222	2.2 KOhm		5%, 0.25W, CF	
R.....36	57.11-4103	10 KOhm		5%, 0.25W, CF	
R.....37	57.11-4223	22 KOhm		5%, 0.25W, CF	
X.....1	53.03-0166	8-Pin		IC-Socket	

(01) Servo-loop improved f. low frequencies.
 E=Electrolytic, Cer=Ceramic, MP=Metallized Paper, PS=Polystyrene,
 PE=Polyester, PC=Polycarbonate
 Manufacturer: Sig=Signetics, TI=Texas Instruments
 ITT=Intermetall, H=Motorola, R=Raytheon
 DR16 85/11/26 (01) 86/05/28
 S T U D E R (01) 86/05/28 Mch CAPSTAN SPEED CONTROL PL 1.177.325.82 PAGE 3

CAPSTAN SPEED CONTROL PCB 1.177.325.82



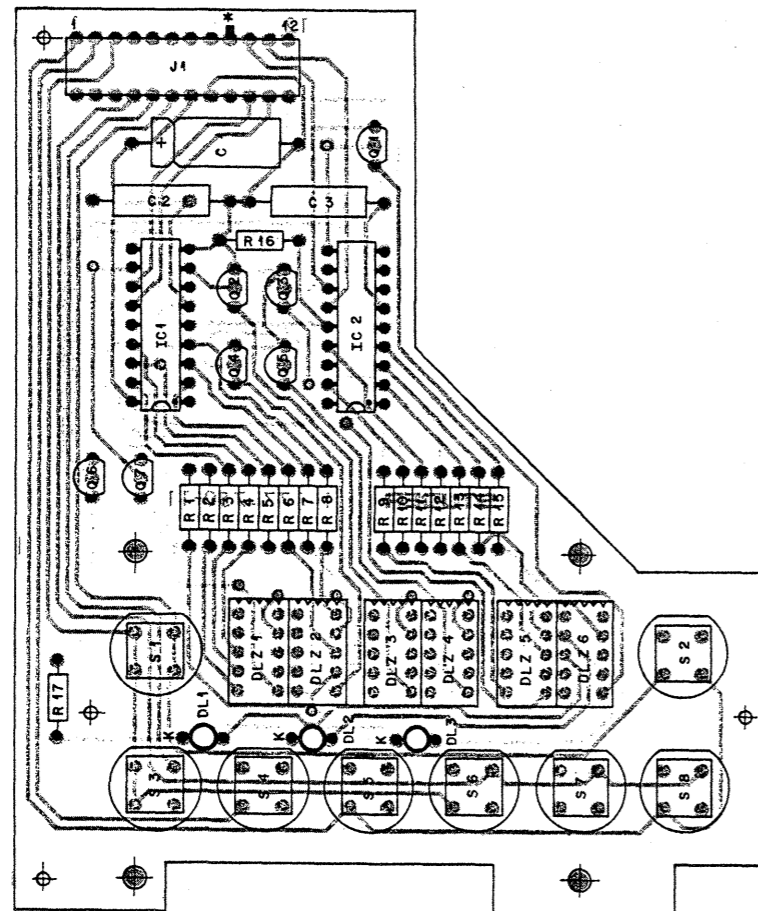
all Diodes are 1N4448; except D10

SPEED CONTROL	T	U
1.177.325	625 μs	1 Vpp

TYPE	SPEED	CAPSTAN SHAFT Ø	C-MOTOR NO.	SPEED CONTROL	C8 *	C9 *
HS	7 1/2 - 15"	9.06mm	1.021.320	1.177.325	1.6nF	4.7nF
STD	3 3/4 - 7 1/2"	4.51mm	1.021.300	1.177.325	1.6nF	4.7nF

19.02.87
TAPES RECORDER
CAPSTAN SPEED CONTROL
PAGE 1 OF 1
SC 1.177.325-82

LOCATOR COMMAND PCB 1.177.750



IND.	POS.NO.	PART NO.	VALUE	SPECIFICATIONS / EQUIVALENT	MANUF.
C.....1		59.25.1101	100 uF	-20% 6.3V EL	
C.....2		59.04.7103	10 nF	5% 63 V PP	
C.....3		59.04.7103	10 nF	5% 63 V PP	
DL.....1		50.04.2129	COVIL-7	LED red Ø3 mm	Sie
DL.....2		50.04.2129	COVIL-7	LED red Ø3 mm	Sie
DL.....3		50.04.2129	COVIL-7	LED red Ø3 mm	Sie
DLZ.....1		73.01.0121	FND 367	Seven Segment Display	GI
DLZ.....2		73.01.0121	FND 367	Seven Segment Display	GI
DLZ.....3		73.01.0121	FND 367	Seven Segment Display	GI
DLZ.....4		73.01.0121	FND 367	Seven Segment Display	GI
DLZ.....5		73.01.0121	FND 367	Seven Segment Display	GI
DLZ.....6		73.01.0121	FND 367	Seven Segment Display	GI
IC.....1		50.07.0010	MC 1499	Display Decoder/Driver	Mot
IC.....2		50.07.0010	MC 1499	Display Decoder/Driver	Mot
J.....1		54.01.0213	12-Pole	Cis Socket Strip	AMP
Q.....1		50.03.0436	BC237B	BC547B, BC550B NPN	
Q.....2		50.03.0436	BC237B	BC547B, BC550B NPN	
Q.....3		50.03.0436	BC237B	BC547B, BC550B NPN	
Q.....4		50.03.0436	BC237B	BC547B, BC550B NPN	
Q.....5		50.03.0436	BC237B	BC547B, BC550B NPN	
Q.....6		50.03.0436	BC237B	BC547B, BC550B NPN	
Q.....7		50.03.0436	BC237B	BC547B, BC550B NPN	
R.....1		57.11.4820	82 Ohm	2%, 0.25W, MF	
R.....2		57.11.4820	82 Ohm	2%, 0.25W, MF	
R.....3		57.11.4820	82 Ohm	2%, 0.25W, MF	
R.....4		57.11.4820	82 Ohm	2%, 0.25W, MF	
R.....5		57.11.4820	82 Ohm	2%, 0.25W, MF	
R.....6		57.11.4820	82 Ohm	2%, 0.25W, MF	
R.....7		57.11.4820	82 Ohm	2%, 0.25W, MF	
R.....8		57.11.4820	82 Ohm	2%, 0.25W, MF	
R.....9		57.11.4820	82 Ohm	2%, 0.25W, MF	

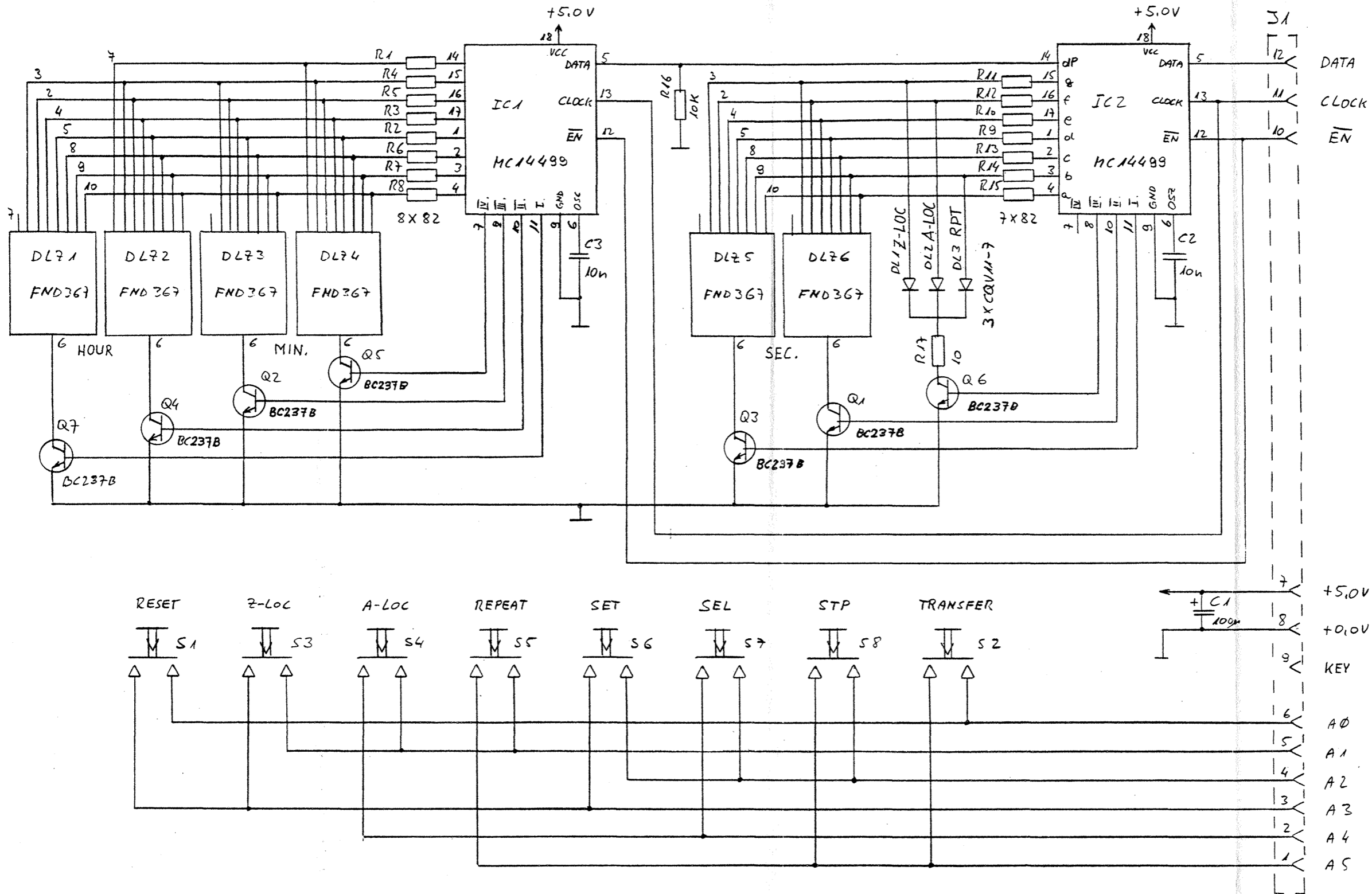
STUDER 84/01/12 Wth LOCATOR COMMAND PCB 1.177.750.00 PAGE 1

IND.	POS.NO.	PART NO.	VALUE	SPECIFICATIONS / EQUIVALENT	MANUF.
R.....10		57.11.4820	82 Ohm	2%, 0.25W, MF	
R.....12		57.11.4820	82 Ohm	2%, 0.25W, MF	
R.....13		57.11.4820	82 Ohm	2%, 0.25W, MF	
R.....14		57.11.4820	82 Ohm	2%, 0.25W, MF	
R.....15		57.11.4820	82 Ohm	2%, 0.25W, MF	
R.....16		57.11.4103	10 kOhm	2%, 0.25W, MF	
R.....17		57.11.4100	10 Ohm	2%, 0.25W, MF	
S.....1		55.15.0130	0.6	Pushbutton Switch	ITT
S.....2		55.15.0130	0.6	Pushbutton Switch	ITT
S.....3		55.15.0130	0.6	Pushbutton Switch	ITT
S.....4		55.15.0130	0.6	Pushbutton Switch	ITT
S.....5		55.15.0130	0.6	Pushbutton Switch	ITT
S.....6		55.15.0130	0.6	Pushbutton Switch	ITT
S.....7		55.15.0130	0.6	Pushbutton Switch	ITT
S.....8		55.15.0130	0.6	Pushbutton Switch	ITT

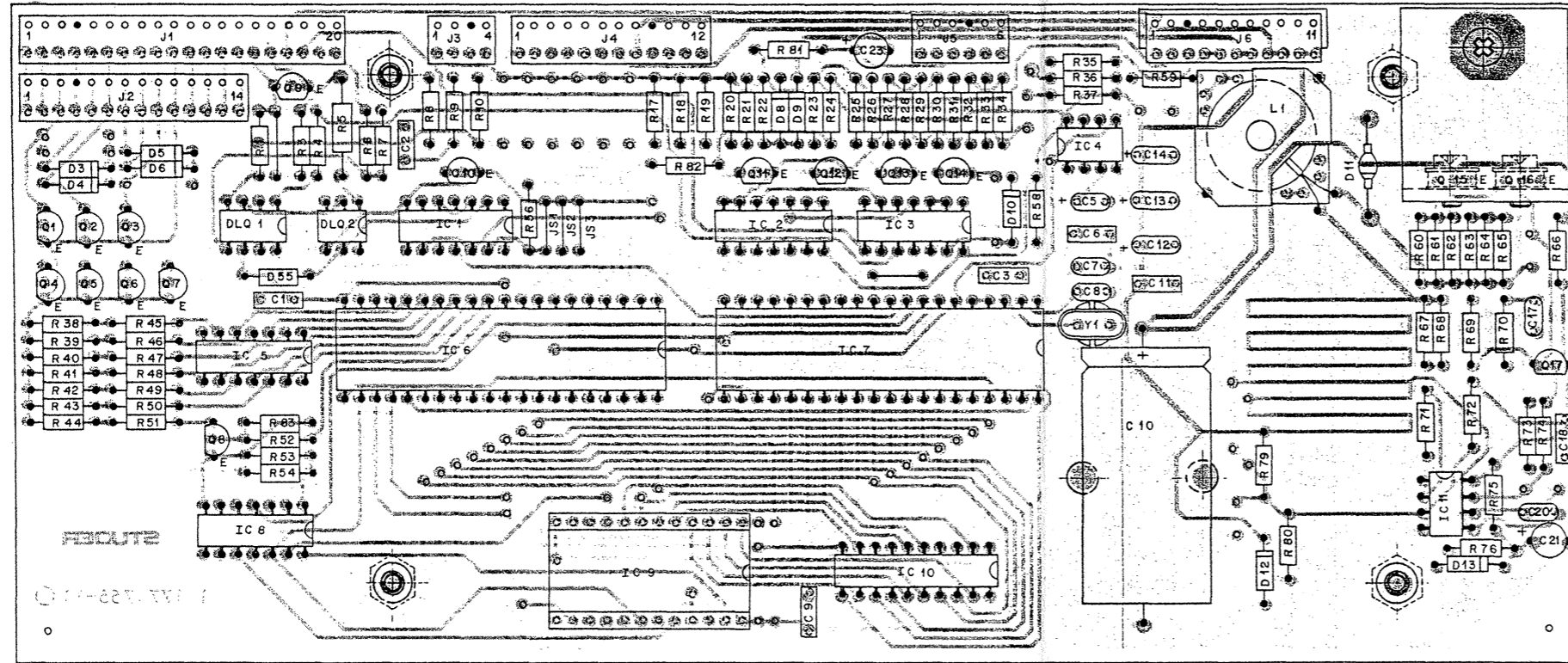
EL=Electrolytic, PP=Polypropylen, Si=Silicon, MF=Metal Film
 PCSCH=Carbon Film
 MANUFACTURER: AMP=AMP, GI=General Instrument, ITT,
 Mot=Motorola, Sie=Siemens

ORIG 84/01/12
 STUDER 84/01/12 Wth LOCATOR COMMAND PCB 1.177.750.00 PAGE 2

LOCATOR COMMAND PCB 1.177.750



LOCATOR MPU PCB 1.177.755



IND.	POS.NO.	PART NO.	VALUE	SPECIFICATIONS / EQUIVALENT	MANUF.
R..0030	57.11.4102	1	kOhm	2%, 0.25W, MF	
R..0031	57.11.4333	33	kOhm	2%, 0.25W, MF	
R..0032	57.11.4102	1	kOhm	2%, 0.25W, MF	
R..0033	57.11.4332	3.3	kOhm	2%, 0.25W, MF	
R..0034	57.11.4331	330	Ohm	2%, 0.25W, MF	
R..0035	57.11.4472	4.7	kOhm	2%, 0.25W, MF	
R..0036	57.11.4103	10	kOhm	2%, 0.25W, MF	
R..0037	57.11.4470	47	Ohm	2%, 0.25W, MF	
R..0038	57.11.4333	33	kOhm	2%, 0.25W, MF	
R..0039	57.11.4333	33	kOhm	2%, 0.25W, MF	
R..0040	57.11.4333	33	kOhm	2%, 0.25W, MF	
R..0041	57.11.4333	33	kOhm	2%, 0.25W, MF	
R..0042	57.11.4333	33	kOhm	2%, 0.25W, MF	
R..0043	57.11.4333	33	kOhm	2%, 0.25W, MF	
R..0044	57.11.4333	33	kOhm	2%, 0.25W, MF	
R..0045	57.11.4223	22	kOhm	2%, 0.25W, MF	
R..0046	57.11.4223	22	kOhm	2%, 0.25W, MF	
R..0047	57.11.4223	22	kOhm	2%, 0.25W, MF	
R..0048	57.11.4223	22	kOhm	2%, 0.25W, MF	
R..0049	57.11.4223	22	kOhm	2%, 0.25W, MF	
R..0050	57.11.4223	22	kOhm	2%, 0.25W, MF	
R..0051	57.11.4223	22	kOhm	2%, 0.25W, MF	
R..0052	57.11.4682	6.8	kOhm	2%, 0.25W, MF	
R..0053	57.11.4681	680	Ohm	2%, 0.25W, MF	
R..0054	57.11.4392	3.9	kOhm	2%, 0.25W, MF	
R..0055	57.11.4103	10	kOhm	2%, 0.25W, MF	
R..0056	57.11.4103	10	kOhm	2%, 0.25W, MF	
R..0057					
R..0058	57.11.4472	4.7	kOhm	2%, 0.25W, MF	
R..0059	57.11.4471	470	Ohm	2%, 0.25W, MF	
R..0060	57.11.4109	1	Ohm	2%, 0.25W, MF	
R..0061	57.11.4109	1	Ohm	2%, 0.25W, MF	
R..0062	57.11.4109	1	Ohm	2%, 0.25W, MF	
R..0063	57.11.4109	1	Ohm	2%, 0.25W, MF	
R..0064	57.11.4109	1	Ohm	2%, 0.25W, MF	
R..0065	57.11.4109	1	Ohm	2%, 0.25W, MF	
R..0066	57.11.4561	560	Ohm	2%, 0.25W, MF	

S T U D E R (03) 86/06/03 Rec LOCATOR MPU PCB 1.177.755.00 PAGE 4

IND.	POS.NO.	PART NO.	VALUE	SPECIFICATIONS / EQUIVALENT	MANUF.
C..0001	59.99.0205	68 nF	-20%, 63 V	CER	
C..0002	59.06.0102	1 nF	10%, 63 V	PETP	
C..0003	59.99.0205	68 nF	-20%, 63 V	CER	
C..0004	59.30.6109	1 uF	20%, 35 V	TA	
C..0006	59.06.0104	100 nF	10%, 63 V	PETP	
C..0007	59.32.1220	22 pF	10%, 400 V	CER	
C..0008	59.32.1220	22 pF	10%, 400 V	CER	
C..0009	59.99.0205	68 nF	-20%, 63 V	CER	
C..0010	59.25.5222	2.2 nF	-20%, 40 V	EL	
C..0011	59.99.0205	68 nF	-20%, 63 V	CER	
C..0012	59.26.1330	33 uF	20%, 10 V	SAL	
C..0013	59.26.1330	33 uF	20%, 10 V	SAL	
C..0014	59.26.1330	33 uF	20%, 10 V	SAL	
C..0015					
C..0016	59.32.1470	47 pF	10%, 400 V	CER	
C..0017	59.99.0205	68 nF	-20%, 63 V	CER	
C..0018					
C..0019	59.32.1221	220 pF	10%, 400 V	CER	
C..0021	59.22.6100	10 uF	-20%, 35 V	EL	
C..0022					
C..0023	59.22.6100	10 uF	-20%, 35 V	EL	
D..0001					
D..0002					
D..0003	50.04.0125	1M4448	50 V		
D..0004	50.04.0125	1M4448	50 V		
D..0005	50.04.0125	1M4448	50 V		
D..0006	50.04.0125	1M4448	50 V		
D..0007					
D..0008	50.04.0125	1M4448	50 V		
D..0009	50.04.0125	1M4448	50 V		
D..0010	50.04.0125	1M4448	50 V		
D..0011	50.04.0509	MR 851	MR 852, RG 3 B		
D..0012	50.04.1108	5x V	5%, 0.4 W, 2		
D..0013	50.04.1112	5x V	5%, 0.4 W, 2		

S T U D E R (03) 86/06/03 Rec LOCATOR MPU PCB 1.177.755.00 PAGE 1

IND.	POS.NO.	PART NO.	VALUE	SPECIFICATIONS / EQUIVALENT	MANUF.
DLQ0001	50.99.0111	MCT-6	ILD-74		
DLQ0002	50.99.0126	4N26			
IC..0001	50.07.0008	MC 14093 BCP, CD 4093 BC, A			
IC..0002	50.07.0013	MC 14013 BCP, F 4013 BPC, A			
IC..0003	50.06.0014	SN 74LS 14 N			TI
IC..0004	50.11.0122	TL 7705 ACP			
IC..0005	50.05.0127	SN 7406 N, 7406 PC			
IC..0006	50.16.0106	MC 68 A 21P, 5 68 A 21P, A			
IC..0007	50.16.0107	MC 68036-1, HD 6803P-L, A			
IC..0008	50.08.0014	SN 74LS 14 N			
IC..0009	1.025.620.90	UPD 2732 C	PR 99 Locator EPRDM R62090		St
IC..0010	1.025.620.91	UPD 2732 C	PR 99 Locator EPRDM R62091		St
IC..0011	50.08.0313	SN 74LS 373 N			
IC..0012	50.05.0283	LM 393 N, LM 393 P			
J..0001	54.01.0226	20 Pole	Cis socket		
J..0002	54.01.0293	14 Pole	Cis socket		
J..0003	54.01.0241	4 Pole	Cis socket		
J..0004	54.01.0215	12 Pole	Cis socket		
J..0005	54.01.0216	4 Pole	Cis socket		
J..0006	54.01.0291	11 Pole	Cis socket		
L..0001	1.022.243.00	400 uH	Filter Choke		St
Q..0001	50.03.0515	BC 307 B	BC 557 B, BC 251 B, BC 560 B	PNP	
Q..0002	50.03.0515	BC 307 B	BC 557 B, BC 251 B, BC 560 B	PNP	
Q..0003	50.03.0515	BC 307 B	BC 557 B, BC 251 B, BC 560 B	PNP	
Q..0004	50.03.0515	BC 307 B	BC 557 B, BC 251 B, BC 560 B	PNP	
Q..0005	50.03.0515	BC 307 B	BC 557 B, BC 251 B, BC 560 B	PNP	
Q..0006	50.03.0515	BC 307 B	BC 557 B, BC 251 B, BC 560 B	PNP	
Q..0007	50.03.0515	BC 307 B	BC 557 B, BC 251 B, BC 560 B	PNP	
Q..0008	50.03.0436	BC 237 B	BC 237 C, BC 547 B, BC 550 B	NPN	
Q..0009	50.03.0351	BC 327-25			
Q..0010	50.03.0436	BC 237 B	BC 237 C, BC 547 B, BC 550 B	NPN	
Q..0011	50.03.0436	BC 237 B	BC 237 C, BC 547 B, BC 550 B	NPN	
Q..0012	50.03.0436	BC 237 B	BC 237 C, BC 547 B, BC 550 B	NPN	

S T U D E R (03) 86/06/03 Rec LOCATOR MPU PCB 1.177.755.00 PAGE 2

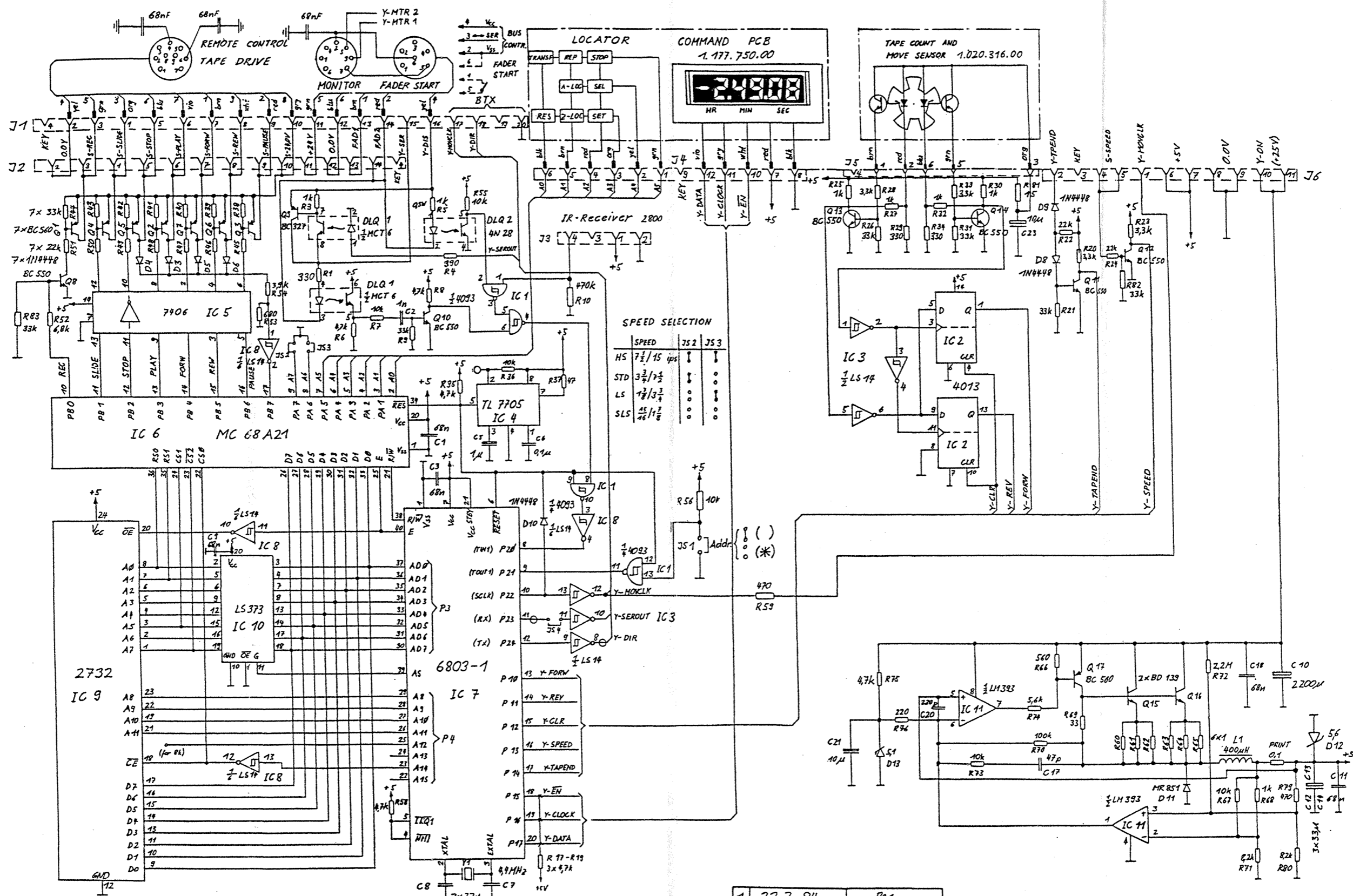
IND.	POS.NO.	PART NO.	VALUE	SPECIFICATIONS / EQUIVALENT	MANUF.
Q..0013	50.03.0436	BC 237 B	BC 237 C, BC 547 B, BC 550 B	NPN	
Q..0014	50.03.0436	BC 237 B	BC 237 C, BC 547 B, BC 550 B	NPN	
Q..0015	50.03.0451	BD 139-10			
Q..0016	50.03.0451	BD 139-10			
Q..0017	50.03.0515	BC 307 B	BC 557 B, BC 251 B, BC 560 B	PNP	
R..0001	57.11.4102	1	kOhm	2%, 0.25W, MF	
R..0002	57.11.4331	330	Ohm	2%, 0.25W, MF	
R..0003	57.11.4102	1	kOhm	2%, 0.25W, MF	
R..0004	57.11.4471	470	Ohm	2%, 0.25W, MF	
R..0005	57.11.4391	390	Ohm	2%, 0.25W, MF	
R..0006	57.11.4102	1	kOhm	2%, 0.25W, MF	
R..0007	57.11.4472	4.7	kOhm	2%, 0.25W, MF	
R..0008	57.11.4103	10	kOhm	2%, 0.25W, MF	
R..0009	57.11.4472	4.7	kOhm	2%, 0.25W, MF	
R..0010	57.11.4333	33	kOhm	2%, 0.25W, MF	
R..0011	57.11.4474	470	Ohm	2%, 0.25W, MF	
R..0012					
R..0013					
R..0014					
R..0015					
R..0016					
R..0017	57.11.4472	4.7	kOhm	2%, 0.25W, MF	
R..0018	57.11.4472	4.7	kOhm	2%, 0.25W, MF	
R..0019	57.11.4472	4.7	kOhm	2%, 0.25W, MF	
R..0020	57.11.4332	3.3	kOhm	2%, 0.25W, MF	
R..0021	57.11.4333	33	kOhm	2%, 0.25W, MF	
R..0022	57.11.4223	22	kOhm	2%, 0.25W, MF	
R..0023	57.11.4332	3.3	kOhm	2%, 0.25W, MF	
R..0024	57.11.4223	22	kOhm	2%, 0.25W, MF	
R..0025	57.11.4102	1	kOhm	2%, 0.25W, MF	
R..0026	57.11.4333	33	kOhm	2%, 0.25W, MF	
R..0027	57.11.4102	1	kOhm	2%, 0.25W, MF	
R..0028	57.11.4332	3.3	kOhm	2%, 0.25W, MF	
R..0029	57.11.4331	330	Ohm	2%, 0.25W, MF	

S T U D E R (03) 86/06/03 Rec LOCATOR MPU PCB 1.177.755.00 PAGE 3

IND.	POS.NO.	PART NO.	VALUE	SPECIFICATIONS / EQUIVALENT	MANUF.
R..0067	57.11.4103	10	kOhm	2%, 0.25W, MF	
R..0068	57.11.4102	1	kOhm	2%, 0.25W, MF	
R..0069	57.11.4330	33	Ohm	2%, 0.25W, MF	
R..0070	57.11.4330	33	Ohm	2%, 0.25W, MF	
R..0071	57.11.4104	100	kOhm	2%, 0.25W, MF	
R..0072	57.11.4822	8.2	kOhm	2%, 0.25W, MF	
R..0073	57.11.4103	10	kOhm	2%, 0.25W, MF	
R..0074	57.11.4562	5.6	kOhm	2%, 0.25W, MF	
R..0075	57.11.4472	4.7	kOhm	2%, 0.25W, MF	
R..0076	57.11.4221	220	Ohm	2%, 0.25W, MF	
R..0077					
R..0078					
R..0079	57.11.4471	470	Ohm	2%, 0.25W, MF	
R..0080	57.11.4822	8.2	kOhm	2%, 0.25W, MF	
R..0081	57.11.4150	15	Ohm	2%, 0.25W, MF	
R..0082	57.11.4333	33	kOhm	2%, 0.25W, MF	
R..0083	57.11.4333	33	kOhm	2%, 0.25W, MF	
XIC0001	53.03.0169	24	Pol	IC Socket	
Y..0001	89.01.0554	4+433	MHz	HC 18 U	ITT

S T U D E R (03) 86/06/03 Rec LOCATOR MPU PCB 1.177.755.00 PAGE 5

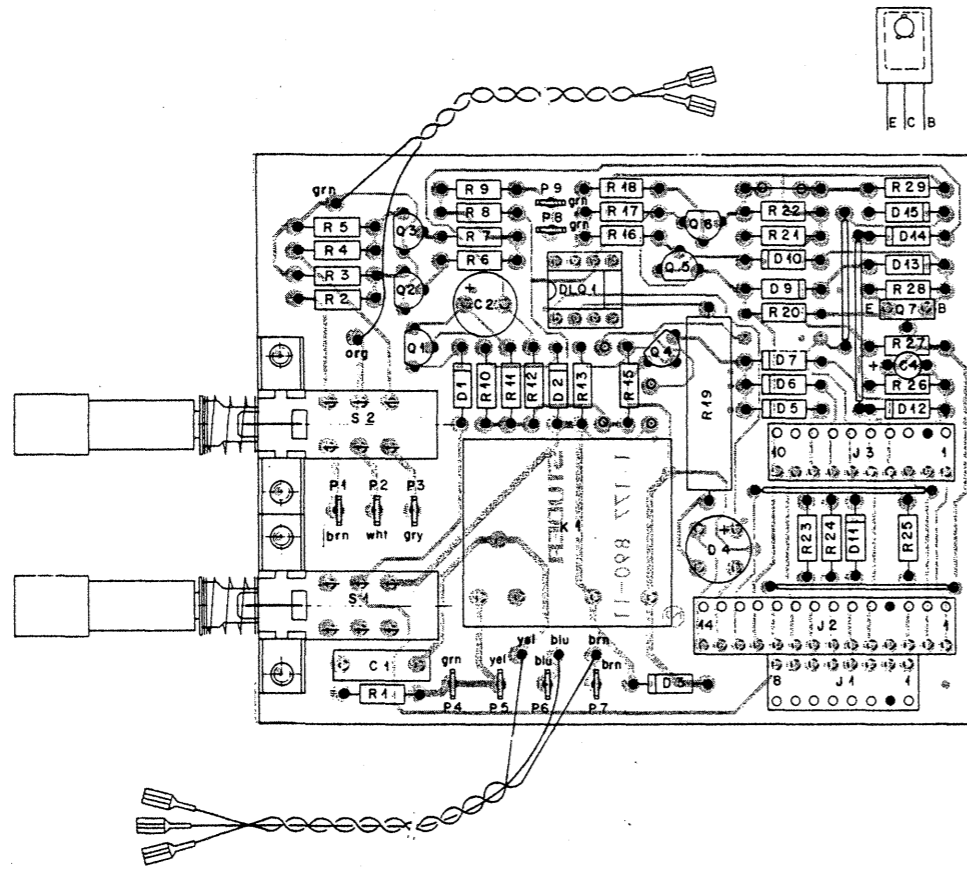
LOCATOR MPU PCB 1.177.755



REC	PR 99 MK II		
STUDER	LOCATOR MPU PCB	1.177.755.00	PAGE 1 OF 2

1	23.2.84	Rec	
0	25.1.84	Rec	PR 99 MK II
STUDER	LOCATOR MPU PCB	1.177.755.00	PAGE 2 OF 2

FADER START LOGIC PCB 1.177.893/894



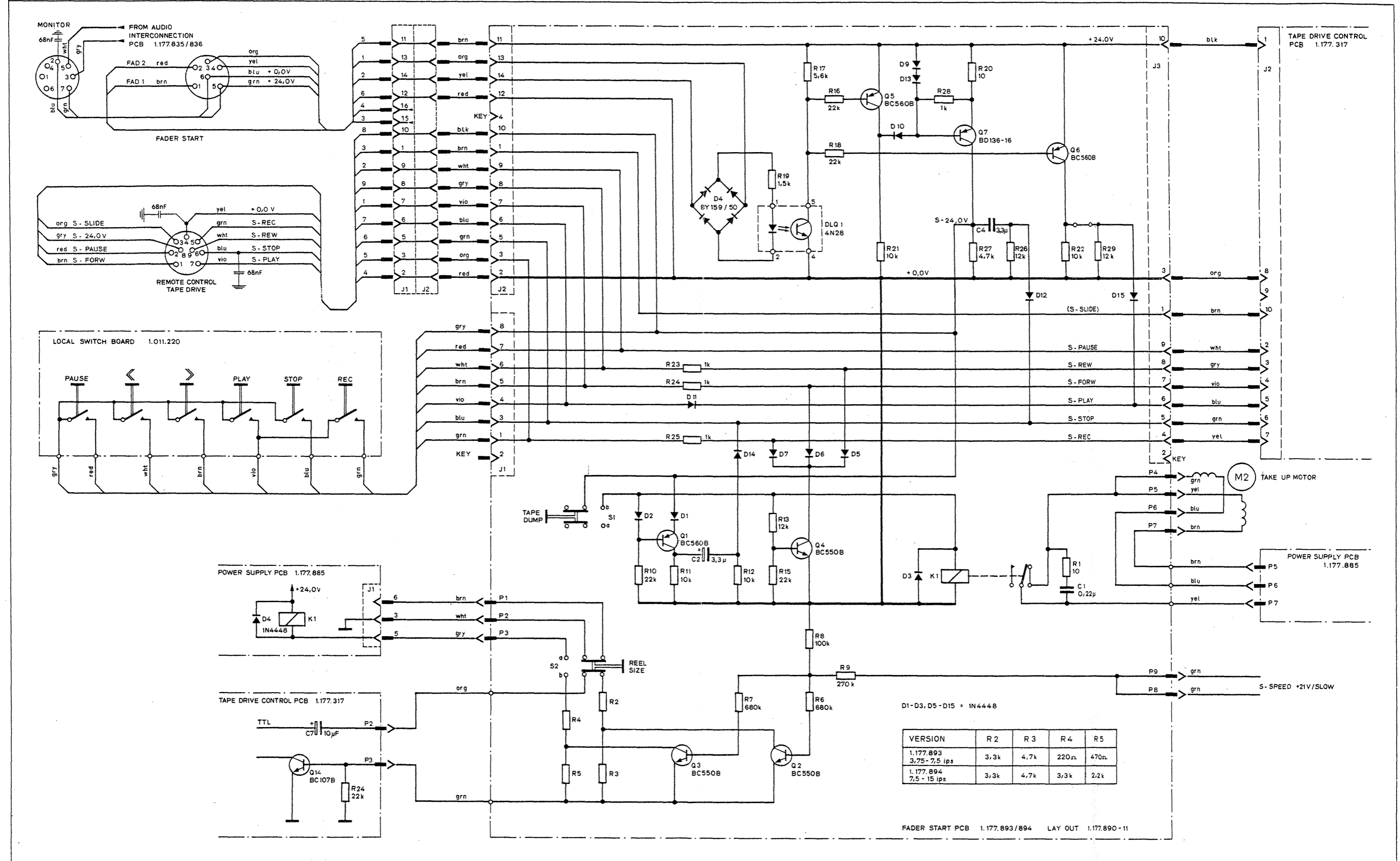
POS NO	PART NO	VALUE	SPECIFICATIONS	EQUIVALENT MFR
C 1	59.31.1724	0,22µF	20% 100V	
C 2	59.36.5339	3,3µF	20% 35V TA	
C 3				
C 4	59.36.5339	3,3µF	20% 35V TA	
D 1	50.04.0125	1N4448		
D 2	"	"		
D 3	"	"		
D 4	70.01.0222	BY159/50	35V 0,8A	
D 5	50.04.0125	1N4448		
D 6	"	"		
D 7	"	"		
D 8	"	"		
D 9	50.04.0125	1N4448		
D 10	"	"		
D 11	"	"		
D 12	"	"		
D 13	"	"		
D 14	"	"		
D 15	"	"		
DLR	50.99.0126	4N28		
J 1	54.01.0289	8 Pol	AMP CIS	
J 2	54.01.0290	10 Pol	AMP CIS	
J 3	54.01.0293	14 Pol	AMP CIS	
K 1	56.99.0116		Relais	
P1...9	54.02.0320	2,8 x 0,8	AMP Flat Pin	
Q 1	50.03.0515	BC 560B	PNP	BC 177B
Q 2	50.03.0436	BC 550B	NPN	BC 108C
Q 3	50.03.0436	BC 550B	NPN	BC 108C
Q 4	50.03.0436	BC 550B	NPN	BC 107B
Q 5	50.03.0515	BC 560B	PNP	BC 177B
Q 6	50.03.0515	BC 560B	PNP	BC 177B
Q 7	50.03.0516	BD 136-16	PNP	

POS NO	PART NO	VALUE	SPECIFICATIONS	EQUIVALENT MFR
R 1	57.11.4100	10		
R 2	57.11.4332	3,3k		
R 3	57.11.4472	4,7k		
R 4	57.11.4220	220		
R 5	57.11.4470	470		
R 6	57.11.4684	680k		
R 7	57.11.4684	680k		
R 8	57.11.4104	100k		
R 9	57.11.4274	270k		
R 10	57.11.4223	22k		
R 11	57.11.4103	10k		
R 12	57.11.4103	10k		
R 13	57.11.4123	12k		
R 14				
R 15	57.11.4223	22k		
R 16	57.11.4223	22k		
R 17	57.11.4562	5,6k		
R 18	57.11.4223	22k		
R 19	57.56.5152	1,5k	10% 4W	
R 20	57.11.4100	10		
R 21	57.11.4103	10k		
R 22	57.11.4103	10k		
R 23	57.11.4102	1k		
R 24	57.11.4102	1k		
R 25	57.11.4102	1k		
R 26	57.11.4123	12k		
R 27	57.11.4472	4,7k		
R 28	57.11.4102	1k		
R 29	57.11.4123	12k		
S 1	1.177.100.07			
S 2	1.177.100.07			

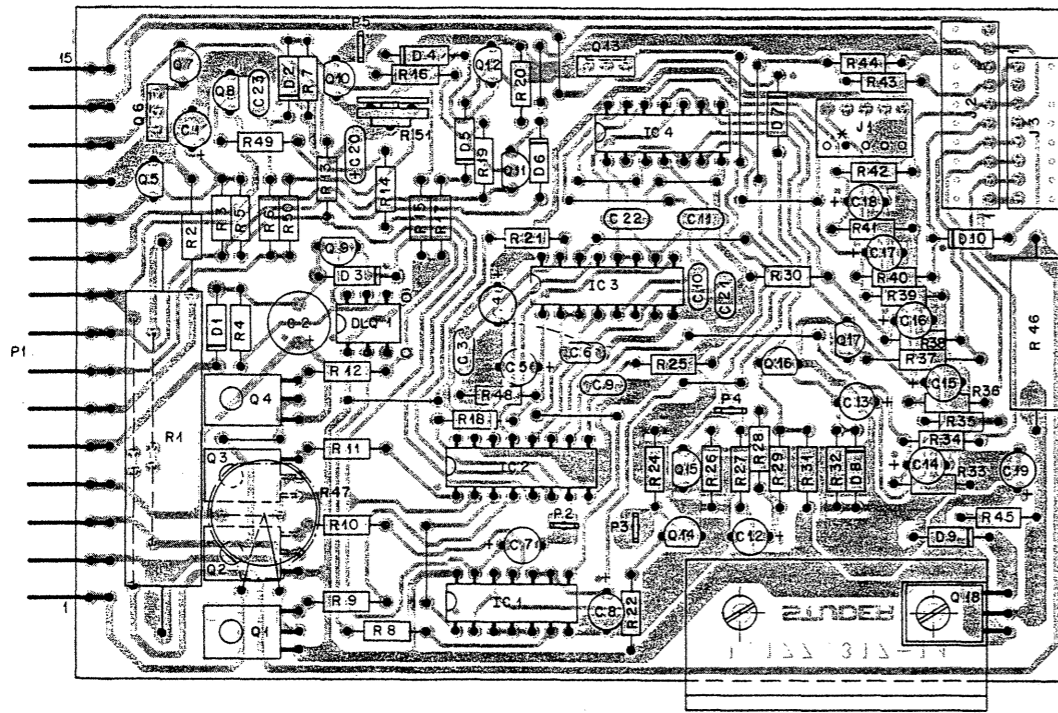
POS NO	PART NO	VALUE	SPECIFICATIONS	EQUIVALENT MFR
C 1	59.31.1724	0,22µF	20% 100V	
C 2	59.36.5339	3,3µF	20% 35V TA	
C 3				
C 4	59.36.5339	3,3µF	20% 35V TA	
D 1	50.04.0125	1N4448		
D 2	"	"		
D 3	"	"		
D 4	70.01.0222	BY159/50	35V 0,8A	
D 5	50.04.0125	1N4448		
D 6	"	"		
D 7	"	"		
D 8	"	"		
D 9	50.04.0125	1N4448		
D 10	"	"		
D 11	"	"		
D 12	"	"		
D 13	"	"		
D 14	"	"		
D 15	"	"		
DLR	50.99.0126	4N28		
J 1	54.01.0289	8 Pol	AMP CIS	
J 2	54.01.0290	10 Pol	AMP CIS	
J 3	54.01.0293	14 Pol	AMP CIS	
K 1	56.99.0116		Relais	
P1...9	54.02.0320	2,8 x 0,8	AMP Flat Pin	
Q 1	50.03.0515	BC 560B	PNP	BC 177B
Q 2	50.03.0436	BC 550B	NPN	BC 108C
Q 3	50.03.0436	BC 550B	NPN	BC 108C
Q 4	50.03.0436	BC 550B	NPN	BC 107B
Q 5	50.03.0515	BC 560B	PNP	BC 177B
Q 6	50.03.0515	BC 560B	PNP	BC 177B
Q 7	50.03.0516	BD 136-16	PNP	

POS NO	PART NO	VALUE	SPECIFICATIONS	EQUIVALENT MFR
R 1	57.11.4100	10		
R 2	57.11.4332	3,3k		
R 3	57.11.4472	4,7k		
R 4	57.11.4332	3,3k		
R 5	57.11.4222	2,2k		
R 6	57.11.4684	680k		
R 7	57.11.4684	680k		
R 8	57.11.4104	100k		
R 9	57.11.4274	270k		
R 10	57.11.4223	22k		
R 11	57.11.4103	10k		
R 12	57.11.4103	10k		
R 13	57.11.4123	12k		
R 14				
R 15	57.11.4223	22k		
R 16	57.11.4223	22k		
R 17	57.11.4562	5,6k		
R 18	57.11.4223	22k		
R 19	57.56.5152	1,5k	10% 4W	
R 20	57.11.4100	10		
R 21	57.11.4103	10k		
R 22	57.11.4103	10k		
R 23	57.11.4102	1k		
R 24	57.11.4102	1k		
R 25	57.11.4102	1k		
R 26	57.11.4123	12k		
R 27	57.11.4472	4,7k		
R 28	57.11.4102	1k		
R 29	57.11.4123	12k		
S 1	1.177.100.07			
S 2	1.177.100.07			

FADER START LOGIC PCB 1.177.893/894



TAPE DRIVE CONTROL PCB 1.177.317.81



IND.	POS.NO.	PART NO.	VALUE	SPECIFICATIONS / EQUIVALENT	MANUF.
		C.....1	59-22-3101	100 uF	10%, 10V, E1
		C.....2	59-22-6470	47 uF	-10%, 40V, E1
		C.....3	59-32-3103	10 nF	-20%, 40V, Cer
(00)		C.....4	59-32-3103	10 nF	-20%, 40V, Cer
(06)		C.....4	59-22-8109	1 uF	-20%, 40V, E1
		C.....5	59-22-8479	4.7 uF	10%, 50V, E1
		C.....6	59-32-3103	10 nF	-20%, 40V, Cer
		C.....7	59-22-8100	10 uF	10%, 35V, E1
		C.....8	59-22-8479	4.7 uF	10%, 50V, E1
		C.....9	59-32-3103	10 nF	-20%, 40V, Cer
		C.....10	59-32-3103	10 nF	-20%, 40V, Cer
		C.....11	59-32-3103	10 nF	-20%, 40V, Cer
		C.....12	59-22-3470	47 uF	10%, 10V, E1
		C.....13	59-22-8479	4.7 uF	10%, 50V, E1
		C.....14	59-22-8479	4.7 uF	10%, 50V, E1
		C.....15	59-22-8479	4.7 uF	10%, 50V, E1
		C.....16	59-22-8479	4.7 uF	10%, 50V, E1
		C.....17	59-22-8479	4.7 uF	10%, 50V, E1
		C.....18	59-22-8479	4.7 uF	10%, 50V, E1
		C.....19	59-22-3101	100 uF	-10%, 10V, E1
		C.....20	59-24-0680	68 uF	20%, 40V, S&L
		C.....21	59-32-3472	4700 pF	20%, 40V, Cer
		C.....22	59-32-3472	4700 pF	20%, 40V, Cer
		C.....23	59-32-3103	10 nF	-20%, 40V, Cer
		D.....1	50-04-0122	1 N 4001	any
		D.....2	50-04-1108	1 5V6	400mW
		D.....3	50-04-0122	1 N 4001	any
		D.....4	50-04-0125	1 N 4448	any
		D.....5	50-04-1106	2 2V7	5%, 2.7V, 400mW
		D.....6	50-04-0125	1 N 4448	any
		D.....7	50-04-0125	1 N 4448	any
		D.....8	50-04-0125	1 N 4448	any
(02)		D.....9	50-99-0116	1 5V6	2%, 5.0V, 400mW
		D.....10	50-04-0125	1 N 4448	any
		DLJ...1	50-99-0126	4 N 28	IC/IF = min-10%

S T U D E R (06) 88/06/02 AL TAPE DRIVE CONTROL MK 2 PL 1.177.317.81 PAGE 1

IND.	POS.NO.	PART NO.	VALUE	SPECIFICATIONS / EQUIVALENT	MANUF.
(00)		R.....2	57-13-4152	1.5 kOhm	5%, 0.33W, CF
(04)		R.....2	57-11-4682	6.8 kOhm	5%, 0.25W, CF
		R.....3	57-11-4104	100 kOhm	5%, 0.25W, CF
		R.....4	57-11-4472	4.7 kOhm	5%, 0.25W, CF
		R.....5	57-11-4153	15 kOhm	5%, 0.25W, CF
		R.....6	57-11-4472	4.7 kOhm	5%, 0.25W, CF
		R.....7	57-11-4223	22 kOhm	5%, 0.25W, CF
		R.....8	57-11-4181	180 Ohm	5%, 0.25W, CF
(00)		R.....9	57-13-4471	470 Ohm	5%, 0.5 W, CF
(06)		R.....9	57-11-3471	470 Ohm	5%, 0.5 W, CF
		R.....10	57-11-4471	470 Ohm	5%, 0.25W, CF
		R.....11	57-11-4471	470 Ohm	5%, 0.25W, CF
		R.....12	57-11-4122	1.2 kOhm	5%, 0.25W, CF
		R.....13	57-11-4272	2.7 kOhm	5%, 0.25W, CF
		R.....14	57-11-4681	680 Ohm	5%, 0.25W, CF
		R.....15	57-11-4332	3.3 kOhm	5%, 0.25W, CF
		R.....16	57-11-4333	33 kOhm	5%, 0.25W, CF
		R.....17	57-11-4121	120 Ohm	5%, 0.25W, CF
		R.....18	57-11-4471	470 Ohm	5%, 0.25W, CF
		R.....19	57-11-4223	22 kOhm	5%, 0.25W, CF
		R.....20	57-11-4121	120 Ohm	5%, 0.25W, CF
		R.....21	57-11-4471	470 Ohm	5%, 0.25W, CF
		R.....22	57-11-4392	3.9 kOhm	5%, 0.25W, CF
		R.....24	57-11-4223	22 kOhm	5%, 0.25W, CF
		R.....25	57-11-4331	330 Ohm	5%, 0.25W, CF
		R.....26	57-11-4822	6.8 kOhm	5%, 0.25W, CF
		R.....27	57-11-4223	22 kOhm	5%, 0.25W, CF
		R.....28	57-11-4223	22 kOhm	5%, 0.25W, CF
		R.....29	57-11-4101	100 Ohm	5%, 0.25W, CF
		R.....30	57-11-4681	680 Ohm	5%, 0.25W, CF
		R.....31	57-11-4153	15 kOhm	5%, 0.25W, CF
		R.....32	57-11-4473	47 kOhm	5%, 0.25W, CF
		R.....33	57-11-4391	390 Ohm	5%, 0.25W, CF
		R.....34	57-11-4222	2.2 kOhm	5%, 0.25W, CF
		R.....35	57-11-4681	680 Ohm	5%, 0.25W, CF
		R.....36	57-11-4392	3.9 kOhm	5%, 0.25W, CF
		R.....37	57-11-4123	12 kOhm	5%, 0.25W, CF

S T U D E R (06) 88/06/02 AL TAPE DRIVE CONTROL MK 2 PL 1.177.317.81 PAGE 3

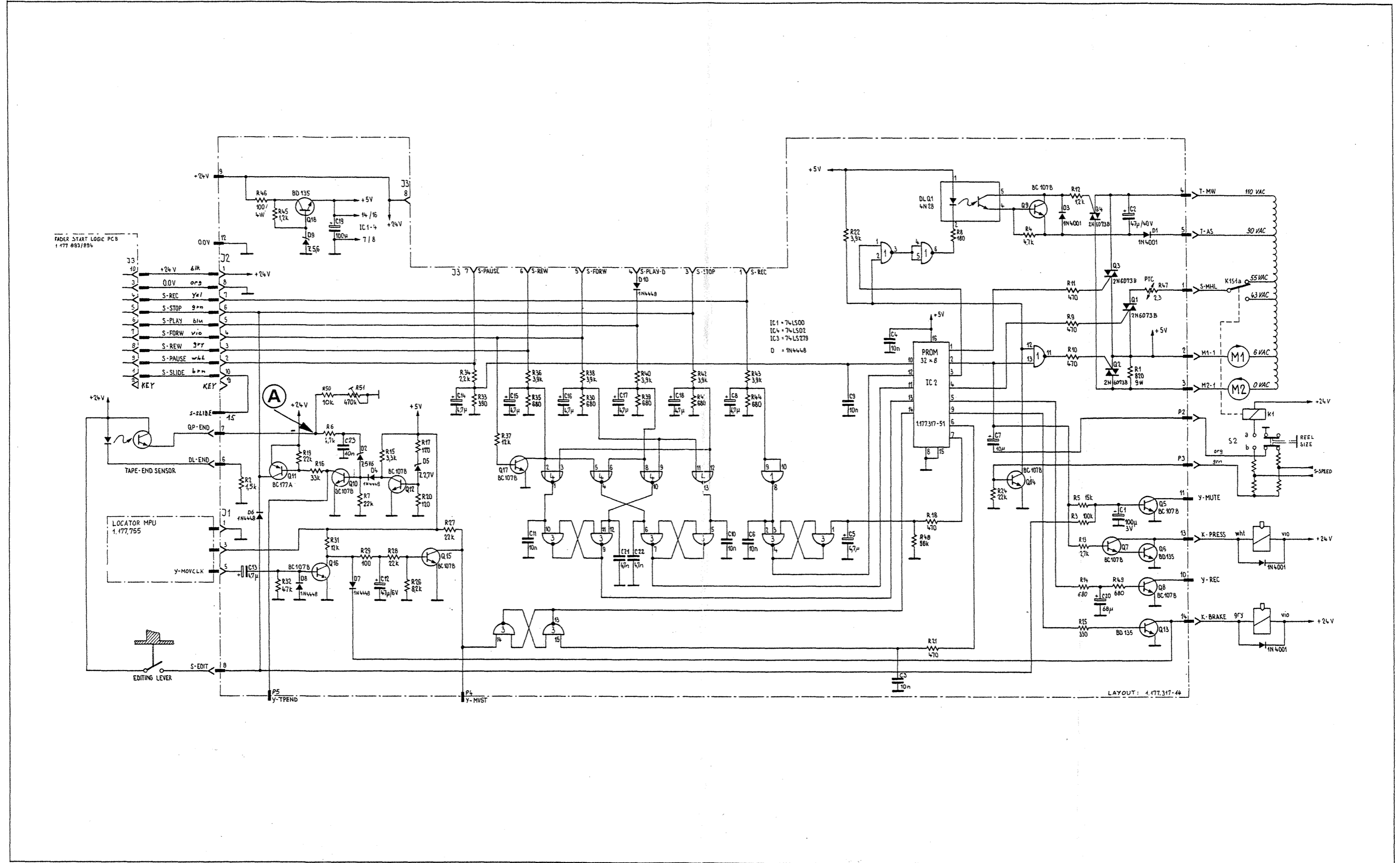
IND.	POS.NO.	PART NO.	VALUE	SPECIFICATIONS / EQUIVALENT	MANUF.
		IC.....1	50-06-0000	SN74LS00	LS-TTL any
		IC.....2	1-177-317-51	32 x 8	Prom, Tri-State
		IC.....3	50-06-0279	SN74LS279	LS-TTL any
		IC.....4	50-06-0002	SN74LS02	LS-TTL any
		J.....1	54-01-0288	5-Pole	Socket-Strip
		J.....2	54-01-0242	10-Pole	Socket-Strip
		J.....3	54-01-0262	8-Pole	Socket-Strip
		P.....1	54-31-0481	15-Pole	Pin-Strip
		P.....2	54-02-0320		Flat-Pin
		P.....3	54-02-0320		Flat-Pin
		P.....4	54-02-0320		Flat-Pin
		P.....5	54-02-0320		Flat-Pin
		J.....1	50-99-0119	2N6073B	Triac 400V/AA
		J.....2	50-99-0119	2N6073B	Triac 400V/AA
		J.....3	50-99-0119	2N6073B	Triac 400V/AA
		J.....4	50-99-0119	2N6073B	Triac 400V/AA
(03)		J.....5	50-03-0436	BC 237 B	NPN any
(04)		J.....5	50-03-0340	BC 137-25	NPN any
		J.....6	50-03-0478	BD 135-10	Medium power NPN
		J.....7	50-03-0436	BC 237 B	NPN any
		J.....8	50-03-0436	BC 237 B	NPN any
		J.....9	50-03-0436	BC 237 B	NPN any
		J.....10	50-03-0436	BC 237 B	NPN any
(03)		J.....11	50-03-0317	BC 177 A	PNP any
(01)		J.....11	50-03-0625	BC 327	PNP any
		J.....12	50-03-0436	BC 237 B	NPN any
		J.....13	50-03-0478	BD 135-10	Medium power NPN
		J.....14	50-03-0436	BC 237 B	NPN any
		J.....15	50-03-0436	BC 237 B	NPN any
		J.....16	50-03-0436	BC 237 B	NPN any
		J.....17	50-03-0436	BC 237 B	NPN any
		J.....18	50-03-0478	BD 135-10	Medium Power NPN
		R.....1	57-57-4821	820 Ohm	5%, 9 W, HW

S T U D E R (06) 88/06/02 AL TAPE DRIVE CONTROL MK 2 PL 1.177.317.81 PAGE 2

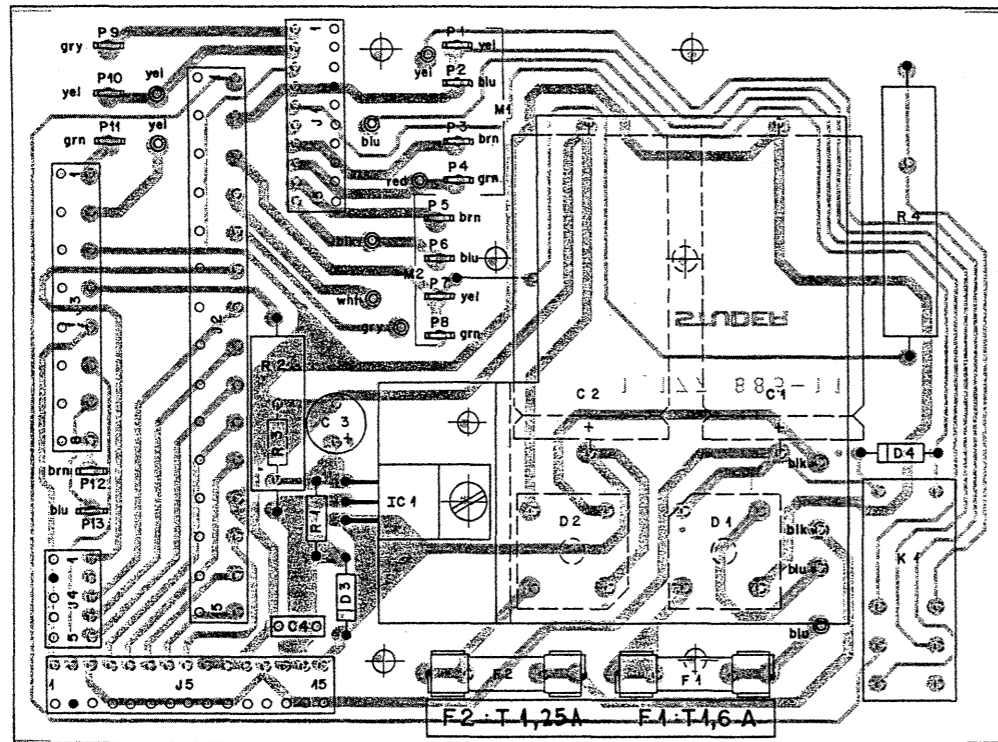
IND.	POS.NO.	PART NO.	VALUE	SPECIFICATIONS / EQUIVALENT	MANUF.
		R.....38	57-11-4392	3.9 kOhm	5%, 0.25W, CF
		R.....39	57-11-4681	680 Ohm	5%, 0.25W, CF
		R.....40	57-11-4392	3.9 kOhm	5%, 0.25W, CF
		R.....41	57-11-4681	680 Ohm	5%, 0.25W, CF
		R.....42	57-11-4392	3.9 kOhm	5%, 0.25W, CF
		R.....43	57-11-4392	3.9 kOhm	5%, 0.25W, CF
		R.....44	57-11-4681	680 Ohm	5%, 0.25W, CF
		R.....45	57-11-4122	1.2 kOhm	5%, 0.25W, CF
		R.....46	57-56-4101	100 Ohm	10%, 5 W, HW
		R.....47	57-99-0210	2.3 Ohm	any
		R.....48	57-11-4563	56 kOhm	5%, 0.25W, CF
		R.....49	57-11-4681	680 Ohm	5%, 0.25W, CF
(00)		R.....50	57-11-4473	47 kOhm	5%, 0.25W, CF
(01)		R.....50	57-11-4103	10 kOhm	5%, 0.25W, CF
(00)		R.....51	56-99-0131	470 kOhm	0.15W TCF, Lin.
(05)		R.....51	56-02-4474	470 kOhm	20%, 0.1 W, PC5CH

S T U D E R (06) 88/06/02 AL TAPE DRIVE CONTROL MK 2 PL 1.177.317.81 PAGE 4

TAPE DRIVE CONTROL PCB 1.177.317.81



POWER SUPPLY PCB 1.177.785.81



IND.	POS.NO.	PART NO.	VALUE	SPECIFICATIONS / EQUIVALENT	MANUF.
C.....1		59-25-9222	2.2 MF	-20% 35 V EL	
C.....2		59-25-9222	2.2 MF	-20% 35 V EL	
C.....3		59-22-5470	47 MF	-20% 25 V EL	
C.....4		59-99-0205	08 MF	-20% 83 V CER	
D.....1		70-01-0227	280V/6A	Bridge Rect. SI	
D.....2		70-01-0230	35V/2A	Bridge Rect. SI	
D.....3		50-04-0122	1N4001	50 V SI	
D.....4		50-04-0125	1N4408	50 V SI	
F.....1		51-01-0119	T 1.0 A	5 x 20 Slow Blow	
F.....2		51-01-0118	T 1.25A	5 x 20 Slow Blow	
IC.....1		50-10-0104	LM 317 T	Voltage Regulator	
J.....1		54-01-0290	10-Pole	Cis Socket Strip	AMP
J.....2		54-01-0535	15-Pole	Cis Socket Strip	AMP
J.....3		54-01-0546	8-Pole	Cis Socket Strip	AMP
J.....4		54-01-0288	5-Pole	Cis Socket Strip	AMP
J.....5		54-01-0219	15-Pole	Cis Socket Strip	AMP
K.....1		56-01-0116	2 x U	24 V Relais	GR+ZT
P1.....13		54-02-0320	2-890.8	Flat Pin	AMP
R.....1		57-39-3010	301 Ohm	2%, 0.25W, MF	
R.....2		57-56-5220	22 Ohm	10%, 4 W, MW	
R.....3		57-19-0220	22 Ohm	5%, 0207, FUSE	
R.....4		57-11-4472	4.7 kOhm	2%, 0.25W, MF	
R.....5		57-59-4122	1.2 kOhm	5%, 7 W, MW	

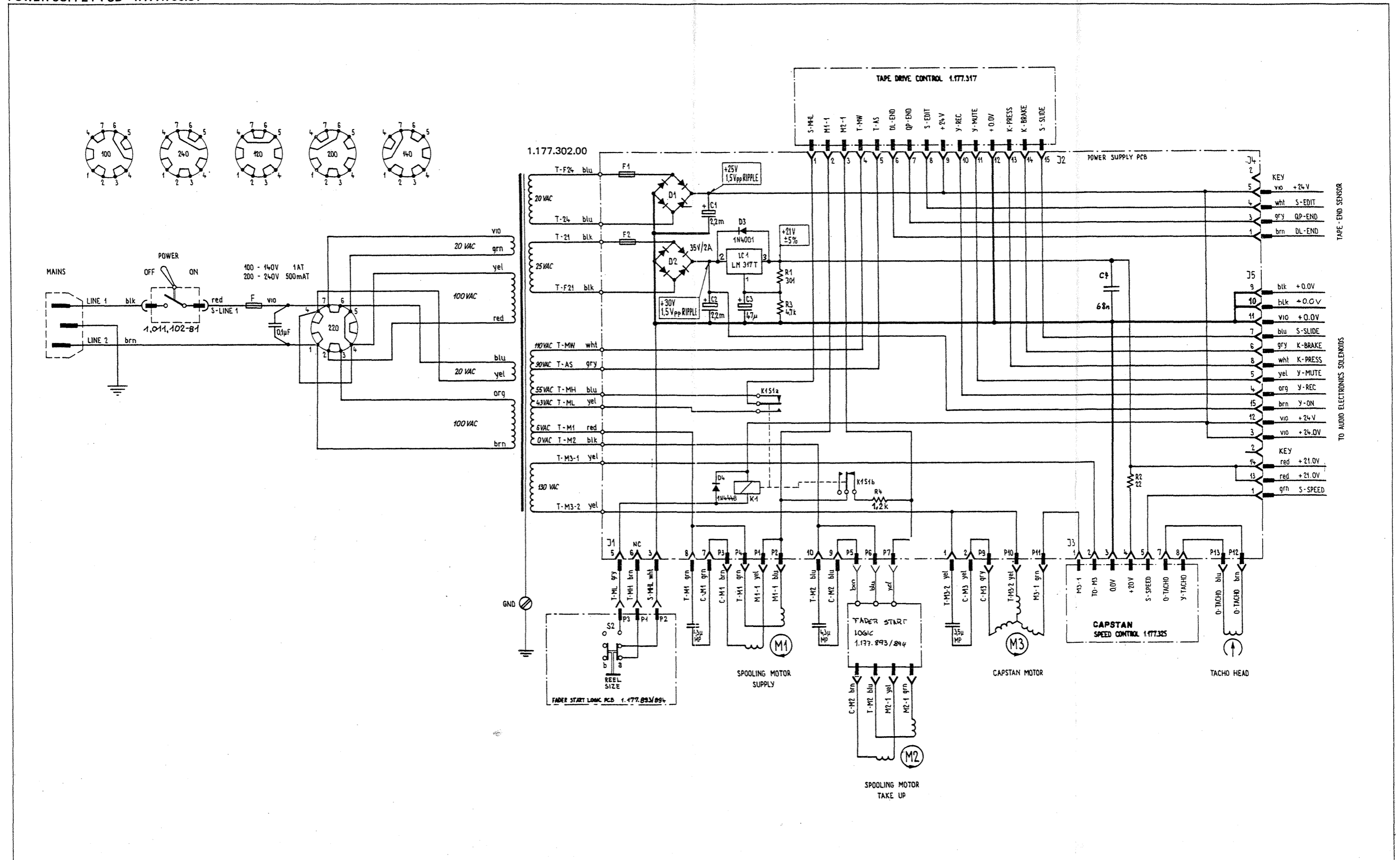
STUDER (01) 88/10/05 POWER SUPPLY PL 1.177.785.81 PAGE 1

IND.	POS.NO.	PART NO.	VALUE	SPECIFICATIONS / EQUIVALENT	MANUF.
(01)		5-10-88	SENKO		

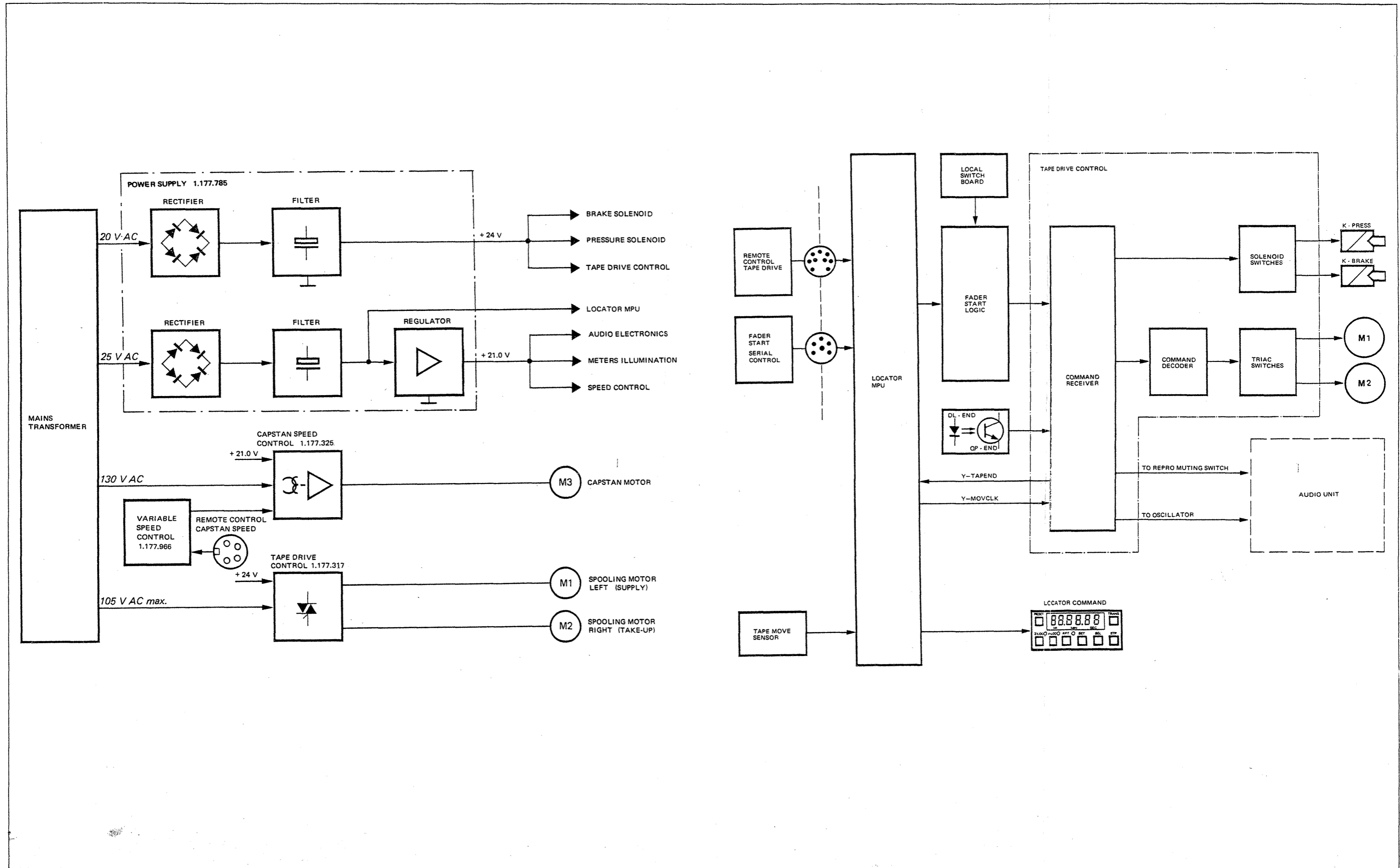
EL=Electrolytic, SI=Silicon, MF=Metal Film, MW=Wire Minding
 MANUFACTURER: AMP=AMP, GR=Gruner, ZT=Zettler

ORIG 86/08/13 (01) 88/10/05
 STUDER (01) 88/10/05 POWER SUPPLY PL 1.177.785.81 PAGE 2

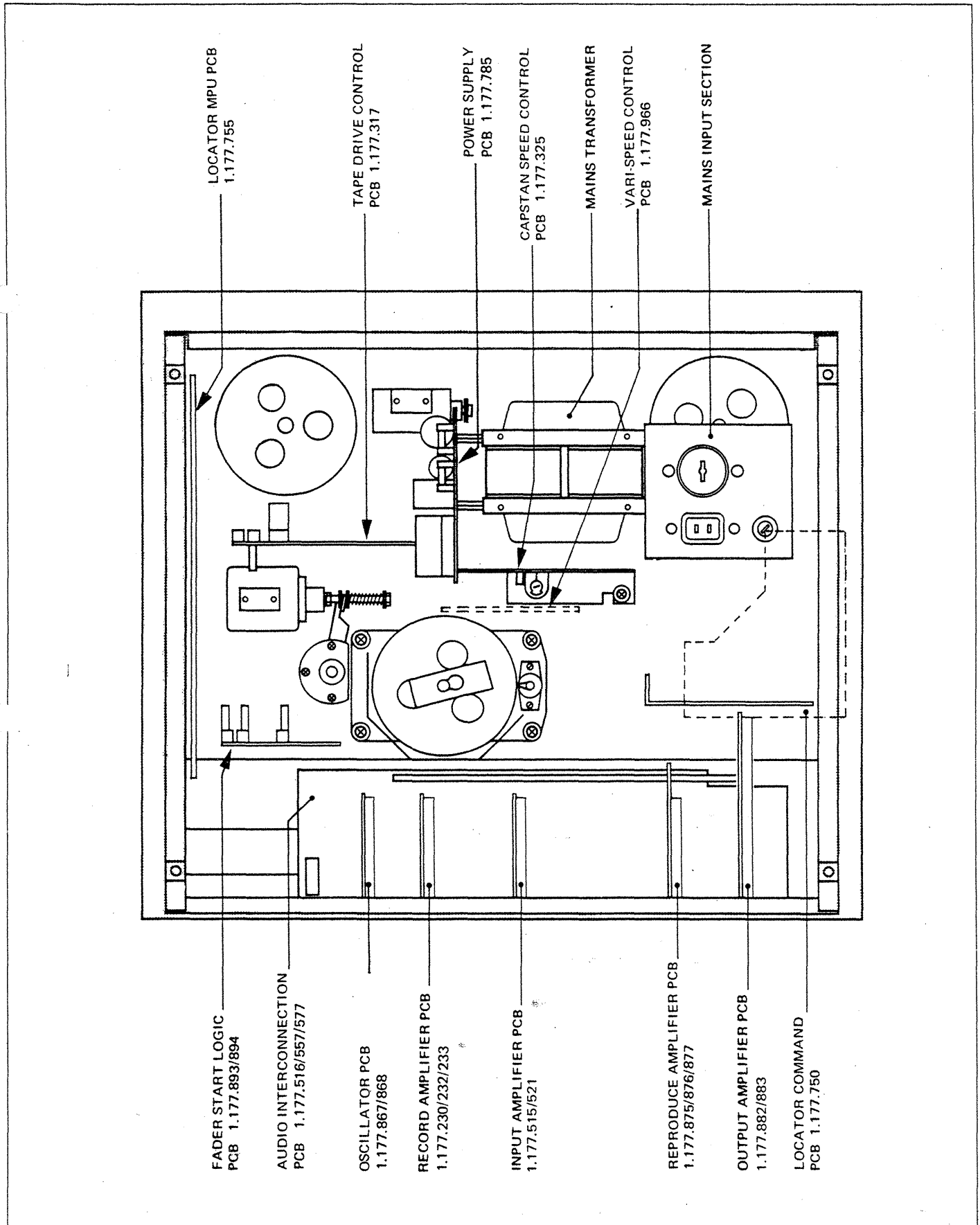
POWER SUPPLY PCB 1.177.785.81



BLOCK DIAGRAM/POWER SUPPLY AND TAPE DRIVE CONTROL



BOARDS LOCATION PR99 MKIII



CONTENTS

DESCRIPTION	SCHEMATIC NO.	SECTION/PAGE
GENERAL AND TAPE DRIVE CONTROL		
BOARDS LOCATION		7/2
BLOCK DIAGRAM/POWER SUPPLY AND TAPE DRIVE CONTROL		7/3
POWER SUPPLY PCB	1.177.785.81	7/4
TAPE DRIVE CONTROL PCB	1.177.317.81	7/6
FADER START LOGIC PCB	1.177.893/894.00	7/8
LOCATOR MPU PCB	1.177.755.00	7/10
LOCATOR COMMAND PCB	1.177.750.00	7/12
CAPSTAN SPEED CONTROL PCB	1.177.325.82	7/14
VARIABLE SPEED CONTROL PCB	1.177.966.00	7/16
VARIABLE SPEED CONTROL UNIT / EXTERNAL	1.128.045.00	7/17
TAPE MOVE SENSOR PCB	1.020.316.00	7/19
REMOTE CONTROL UNIT / COMMAND SWITCHES	1.128.040.00	7/20

Messung CH2 ► CH1

- NF-Generator an Eingang LINE INPUT CH2 anschliessen.
- Selektives Voltmeter an LINE OUTPUT CH1 anschliessen.
- Regler INPUT LEVEL CH1 auf "0".
- Regler INPUT LEVEL CH2 auf "10".
- Übersprechdämpfung messen.
Der Wert soll min. 45dB unter Vollpegel liegen.

6.5.5. Übersprechen MONO

Zu dieser Messung wird zweckmässigerweise auf einem neuen Band auf dem linken Kanal während ca. 1 Minute und anschliessend auf dem rechten Kanal während ca. 1 Minute eine MONO-Aufnahme mit 1000 Hz und Vollaussteuerung aufgenommen. Dabei ist darauf zu achten, dass der Aufnahmewahlschalter des jeweils nicht benutzten Kanals auf Stellung SAFE steht.

- NF-Generator auf 1000Hz und Vollpegel einstellen.
- Leeres Band einlegen und auf Aufnahme starten.
- Nach ca. 1 Minute:
Aufnahmewahlschalter CH1 auf SAFE.
Regler INPUT LEVEL CH1 auf 0.
Aufnahmewahlschalter CH2 auf READY.
Regler INPUT LEVEL CH2 auf 10.
- Nach ca. einer weiteren Minute:
Taste STOP betätigen und an Anfang der Aufzeichnung zurückspulen.
- Selektives Voltmeter an Ausgang MONITOR CH2 anschliessen. Auf Wiedergabe starten. Das Übersprechen CH1 ► CH2 messen ($\geq 60\text{dB}$).
- Auf Aufzeichnung des rechten Kanals vorspulen.
- Selektives Voltmeter an Ausgang MONITOR CH1 anschliessen. Betriebsartenschalter OUTPUT (22) auf CH1. Gerät auf Wiedergabe starten. Das Übersprechen CH2 ► CH1 messen ($\geq 60\text{dB}$).

Crosstalk CH2 ► CH1

- Connect audio generator to LINE INPUT CH2.
- Connect wave analyzer to output MONITOR CH1.
- Close potentiometer INPUT LEVEL CH1 to position "0".
- Open potentiometer INPUT LEVEL CH2 to position "10".
- Continue to record 1000Hz at peak level.
- Measure crosstalk. The signal level appearing on CH1 must be 45dB below a peak level recording.

6.5.5. Crosstalk MONO

It is advisable to use virgin (or bulk erased) tape for this test. Record a signal of 1000 Hz at peak level for approximately 1 minute on the left channel only, then record the same signal again for 1 minute on the right channel. In making that recording preselector switch of the unused channel is switched to the position SAFE.

- Select 1000Hz on audio generator and adjust for peak level recording.
- Load recorder with tape and start in the recording mode as described above.
- After approximately 1 minute switch recording preselector CH1 to position SAFE. Turn potentiometer INPUT LEVEL CH1 to position 0.
Switch recording preselector CH2 to position READY.
Turn potentiometer INPUT LEVEL CH2 to position 10.
- Continue to record for approximately 1 minute, then press button STOP and rewind to the beginning of the recording.
- Connect wave analyzer to output MONITOR CH2. Start recorder in PLAY. Measure crosstalk CH1 ► CH2 ($\geq 60\text{dB}$).
- Wind forward to the recording on the right channel.
- Connect wave analyzer to output MONITOR CH1 and switch mode selector OUTPUT to CH1. Start recorder in PLAY. Measure crosstalk CH2 ► CH1 ($\geq 60\text{dB}$).

Mesure CH2 ► CH1

- Branchez le générateur BF à l'entrée LINE INPUT CH2.
- Branchez le millivoltmètre BF sélectif à la sortie MONITOR CH1.
- Réglage INPUT LEVEL CH1 sur "0".
- Réglage INPUT LEVEL CH2 sur "10".
- Mesurez la diaphonie.
La valeur doit être de 45dB au minimum en dessous de +6dBVU.

6.5.5. Diaphonie MONO

Pour effectuer cette mesure, il est nécessaire d'enregistrer auparavant sur une bande neuve une fréquence de 1000 Hz à +6 dB VU, sur le canal gauche pendant 1 minute. Puis enchaînez le même enregistrement sur le canal droit. Pendant ces opérations, commutez sur SAFE le présélecteur d'enregistrement du canal non utilisé.

- Générateur BF sur 1000Hz, +6dB VU.
- Placez une bande vierge et démarrez en enregistrement.
- Après 1 minute environ:
Présélecteur d'enregistrement CH1 sur SAFE.
Réglage INPUT LEVEL CH1 sur "0".
Présélecteur d'enregistrement CH2 sur READY.
Réglage INPUT LEVEL CH2 sur "10".
- Après 1 autre minute environ:
Pressez la touche STOP et rebobinez la bande au début.
- Branchez un millivoltmètre BF sélectif à la sortie MONITOR CH2. Démarrez en lecture et mesurez la diaphonie CH1 ► CH2 ($\geq 60\text{dB}$).
- Bobinez et recherchez le début du canal droit.
- Branchez le millivoltmètre BF sélectif à la sortie MONITOR CH1. Sélecteur de mode OUTPUT sur CH1. Démarrez en lecture et mesurez la diaphonie CH2 ► CH1 ($\geq 60\text{dB}$).

6.5.3. Löschdämpfung

Zum Messen der Löschdämpfung wird eine Frequenz von ca. 1000 Hz aufgezeichnet und anschließend gelöscht. Die auf dem Band verbleibende Aufzeichnung wird gemessen.

- Schalter UNCAL (30) drücken.
- NF-Millivoltmeter an Ausgang MONITOR anschliessen.
- NF-Generator an LINE INPUT parallel anschliessen (1000Hz, 0VU +6dB).
- Geschwindigkeit 19 cm/s.
- Leeres Band auflegen, auf Aufnahme starten und kurze Aufzeichnung vornehmen.
- STOP, Band an Aufzeichnungsanfang zurückwickeln.
- Regler INPUT LEVEL CH1 auf "0".
- Maschine auf Aufnahme starten und Löschdämpfung messen. Der verbleibende Rest der Aufzeichnung soll mindestens 75 dB unter dem Pegel der Vollaussteuerung liegen (typ. Wert 80 dB).
- Betriebsartenschalter OUTPUT (22) CH2. Analoges Messvorgang für rechten Kanal vornehmen.

6.5.4. Übersprechen STEREO

Für die Messung der Stereo-Übersprechdämpfung wird der NF-Generator an den Eingang LINE INPUT CH1 angeschlossen.

REGLER INPUT LEVEL CH1 auf 10, CH2 auf 0

Messung CH1 ► CH2

- Selektives Voltmeter an LINE OUTPUT CH2 anschliessen.
- NF-Generator auf 1000Hz einstellen, Vollaussteuerung.
- Gerät auf Aufnahme starten.
- Übersprechdämpfung messen.
- Der Wert soll min. 45dB unter Vollpegel liegen.

6.5.3. Erase efficiency

To measure the erase depth, a signal of approximately 1000Hz has to be recorded at peak level and that same recording has to be erased again in a subsequent run. The residual level of that signal will then be measured.

- Press push button UNCAL (30)
- Connect wave analyzer to output MONITOR.
- Connect audio generator in parallel to both LINE INPUTs.
- Speed 7 1/2 ips (19 cm/sec)
- Select 1000Hz and adjust level to obtain peak level indication on the VU-meter (1000Hz, 0VU +6dB).
- Load recorder with blank tape and start in the recording mode.
- Establish reference reading on wave analyzer.
- STOP and rewind to the beginning of the recording.
- Close fader INPUT LEVEL CH1 to position "0".
- Start the machine again in the recording mode and measure the residual signal level on tape. The magnetic recording remaining on tape must be attenuated by at least 75dB below the above established reference (typical value 80dB).
- Switch mode selector OUTPUT (22) to position CH2 and repeat the above measurements.

6.5.4. Crosstalk STEREO

To measure the stereo crosstalk performance connect audio generator to LINE INPUT CH1.

Crosstalk CH1 ► CH2

- Connect wave analyzer to output MONITOR CH2.
- Select 1000Hz on the audio generator and adjust for peak level recording.
- Start the recorder in the recording mode.
- The signal level appearing on CH2 must be 45dB below that of a peak level recording.

6.5.3. Profondeur d'effacement

Pour mesurer la profondeur d'effacement, enregistrez une fréquence de 1000 Hz, puis effacez la bande. Ensuite, mesurez les restes de l'enregistrement.

- Pressez la touche UNCAL (30)
- Branchez un millivoltmètre BF à la sortie MONITOR.
- Raccordez un générateur aux prises LINE INPUT (1000Hz, 0VU +6dB).
- Vitesse 19 cm/s.
- Placez une bande vierge et démarrez en enregistrement.
- STOP, rebobinez la bande.
- Mettez le réglage d'entrée INPUT LEVEL CH1 sur "0".
- Démarrez en enregistrement et mesurez la profondeur d'effacement. Le résidu de l'enregistrement doit se trouver au moins à 75dB en dessous du niveau +6dB (valeur typique: 80dB).
- Commutez le sélecteur de mode OUTPUT (22) sur CH2, et répétez la mesure.

6.5.4. Diaphonie STEREO

Pour mesurer la diaphonie stéréo branchez un générateur BF à l'entrée LINE INPUT CH1.

Mesure CH1 ► CH2

- Branchez un millivoltmètre BF sélectif à la sortie MONITOR CH2.
- Réglez le générateur sur 1000Hz, + 6dBVU.
- Démarrez en enregistrement.
- Mesurez la diaphonie.
- La valeur doit être de 45dB au minimum en dessous de +6dBVU.

6.5. Messungen verschiedener Kenndaten

6.5.1. Klirrfaktor "Über Band"

- NF-Generator an LINE INPUT parallel anschliessen.
Frequenz: 500Hz
Pegel: 0 VU +6dB
- Klirrfaktor-Messgerät an Ausgang MONITOR anschliessen.
- Leeres Band auflegen und auf Aufnahme starten.
- Klirrfaktor messen. Betriebsartenschalter OUTPUT (22) auf CH1 bzw. CH2.
Aus den Technischen Daten sind die zulässigen Klirrfaktorwerte entsprechend der Bandgeschwindigkeit ersichtlich.

6.5.2. Geräuschspannungs-/Fremdspannungsabstand "Über Band"

Die Geräuschspannungsmessungen beziehen sich auf Vollaussteuerung (0 VU +6dB). Um Messfehler durch HF-Einstreuungen zu vermeiden, wird ein vorher auf dem Gerät gelöscht Band verwendet.

- NF-Millivoltmeter an Ausgang MONITOR CH1 anschliessen.
- Gerät auf Wiedergabe starten.
- Geräuschspannung Kanal CH1 messen.
- Betriebsartenschalter auf CH2 NF-Millivoltmeter an OUTPUT CH2.
- Geräuschspannung Kanal CH2 messen.

Messungen für die niedrige Bandgeschwindigkeit vornehmen. Die Effektiv-Werte (bewertet ASA A) sind aus den Technischen Daten ersichtlich.

Werden diese Geräuschspannungsabstände nicht erreicht, sind die Bandführungen und Tonköpfe nochmals sorgfältig zu entmagnetisieren.

Die folgenden Messungen:

- Löschdämpfung
- Übersprechen MONO
- Übersprechen STEREO

können nur mit einem selektiven Voltmeter (Bandbreite < 100 Hz) gemessen werden.

6.5. Measurement of various performance data

6.5.1. Distortion via tape

- Connect audio generator to LINE INPUT.
Frequency: 500Hz
Level: 0VU +6dB
- Connect distortion factor meter to output MONITOR.
- Load recorder with blank tape and start in the recording mode.
- Measure distortion on both channels. Switch OUTPUT mode selector (22) between positions CH1 and CH2 as required.
The permissible amount of distortion (pure third harmonic) at the respective tape speeds may be seen from the Technical Specifications.

6.5.2. Weighted and unweighted noise measurements via tape

Noise voltage measurements are taken with reference to the peak level modulation of 0VU + 6dB. In order to avoid erroneous test results due to bias frequency pick-up, all measurements are taken by running tape, which has been erased on the recorder in a previous run.

- Connect audio millivoltmeter to output MONITOR CH1.
- With previously erased tape on the recorder, start the machine in PLAY.
- Read noise voltage of the left channel through ASA A weighting network.
- Switch mode selector to position CH2.

– Read noise voltage of the right channel through ASA A weighting network.

– Measure noise voltage at the second tape speed as described above. The RMS signal to noise ratios (weighted as per ASA A) can be seen from the Technical Specifications.

If the signal to noise ratios are less than those shown in the table, carefully demagnetize the heads and tape guides and repeat the test.

For the following measurements:

- Erase depth
- Crosstalk MONO
- Crosstalk STEREO

an audio millivoltmeter with a narrow band-pass filter of less than 100 Hz bandwidth (wave analyzer) will be required.

6.5. Mesure de différentes caractéristiques

6.5.1. Distorsion "après bande"

- Raccordez un générateur BF aux prises LINE INPUT.
Fréquence: 500Hz
Niveau: 0VU +6dB
- Branchez un pont de distorsion à la sortie MONITOR.
- Placez une bande vierge et démarrez en enregistrement.
- Mesurez la distorsion en commutant alternativement le sélecteur OUTPUT (22) sur CH1 et CH2. Consultez les valeurs admissibles des spécifications techniques.

6.5.2. Recul du bruit de fond "après bande"

Le recul du bruit de fond se réfère au niveau maximum admissible (0VU + 6dB). Afin de ne pas fausser la mesure par des inductions parasites HF, utilisez une bande effacée.

- Branchez un millivoltmètre BF à la sortie MONITOR CH1.
- Démarrez en lecture.
- Mesurez le bruit de fond du canal CH1.
- Sélecteur de mode sur CH2, millivoltmètre BF à la sortie MONITOR CH2.
- Mesurez le bruit de fond du canal CH2.

– Répétez les mesures pour la petite vitesse. Les valeurs effectives (pondérées, ASA A sont données dans les caractéristiques techniques.

S'il n'est pas possible d'atteindre ces valeurs, démagnétisez encore une fois et consciencieusement les têtes et les guides de bande.

Les mesures suivantes:

- profondeur d'effacement
- diaphonie MONO
- diaphonie STEREO

ne peuvent être effectuées qu'avec un millivoltmètre sélectif (largeur de bande < 100 Hz).

Werkseitig verwendete Bänder zur Einstellung des Vormagnetisierungsstromes sowie der Aufnahmeentzerrung:

Tape Speed	Version	Type of Tape
9.5/19 cm	NAB	Revox 656
19/38 cm	NAB	Revox 656
19/38 cm	IEC/CCIR	AGFA PEM 468

6.4.19. Frequenzgang "Über Band"

- NF-Generator etwa auf gleichem Pegel belassen (0 VU -20dB).
- Leeres Band auflegen und auf Aufnahme starten.
- NF-Millivoltmeter bei 1kHz auf ganzzahlige dB-Anzeige eichen.
- Frequenzgänge entsprechend der gewählten Bandgeschwindigkeit messen. Durch Umschalten des Betriebsartenschalters OUTPUT (22) auf Stellung CH1 bzw. CH2 können beide Kanäle hintereinander gemessen werden.
- Die Frequenzgangwerte sind aus den technischen Daten ersichtlich.

Tapes used in the plant to regulate the biasing current and pre-record tape equalization:

6.4.19. Frequency response "overall"

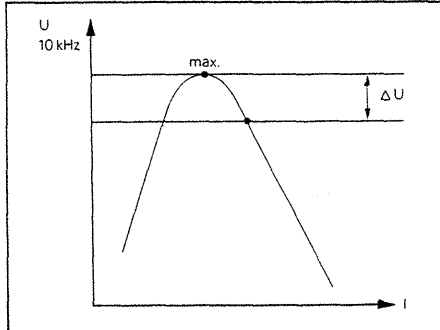
- Output level of audio generator remains set as for previous test (20dB below 0VU).
- Load recorder with blank tape and start in the recording mode.
- Calibrate audio millivoltmeter for frequency response measurement by adjusting the audio generator level at 1kHz to obtain a convenient mid-scale deflection on the meter (e.g. -5dB on the 100mV range).
- Check frequency response at the two tape speeds. Both channels may be checked in one run by alternating the OUTPUT selector between the positions CH1 and CH2 at each individual frequency.

For permissible response deviations, check section 2. Technical Specifications of this manual.

Bandes utilisées en usine pour les réglages de la prémagnétisation et de l'égalisation de l'enregistrement:

6.4.19. Courbe de réponse "après bande"

- Laissez le générateur BF sur le même niveau que précédemment (0VU -20dB).
 - Placez une bande vierge et démarrez en enregistrement.
 - Calibrez le millivoltmètre BF à 1kHz sur un nombre entier de dB.
 - Contrôlez la courbe de réponse pour les deux vitesses. En commutant le sélecteur OUTPUT (22) alternativement sur CH1 et CH2, il est possible de contrôler les deux canaux.
- Comparez les valeurs avec celles des caractéristiques techniques.



Man merke sich die Maximum-Anzeige und drehe nun in gleicher Drehrichtung weiter bis die NF-Ausgangsspannung um den in der Tabelle aufgeführten Wert gesunken ist (ΔU).

After having reached the maximum, slowly keep on rotating the respective trimpot in clockwise direction until the 10kHz output signal has dropped by the amount shown in table (ΔU).

Repérez le point maximum et tournez le potentiomètre toujours dans le même sens, jusqu'à ce que la chute de tension de sortie BF corresponde aux valeurs de la table (ΔU).

Tape Speed	9.5 cm/s 3 3/4 ips	19 cm/s 7 1/2 ips	38 cm/s 15 ips
Type of Tape	ΔU (dB)	ΔU (dB)	ΔU (dB)
REVOX 601	5	4	3
REVOX 621	4.5	4	3
REVOX 631	6	6	4
REVOX 641	6	5	4
Scotch 206	5	4	3
Scotch 207	5	4	3
Scotch 226	6	6	4
Scotch 250	5	6	4
Scotch 256	6	6	4
Scotch 262/263	6	6	3
Scotch classic	5	5	3
Ampex 406	6	5	4
Ampex 407	6	5	4
Ampex 456*	5	6	4
Agfa PEM 368	5	5	4
Agfa PEM 369	6	6	3
Agfa PEM 468	6	6	4
Agfa PEM 469	7	7	5
Agfa PER 525	6	5	3
Agfa PER 528	6	6	4
BASF LPR-35LH	6	5	4
BASF SPR 50LH (L)	4	5.5	3.5
BASF LGR 30P	6	5.5	4
BASF LGR 50	6	6	4
BASF LGR 51	6	6	4
BASF Studio Master 911	6	8	4.5
Maxell UD-XL	6	5	4
TOK AUQUA	6	5	4
EMI 816/817	6	6	4

* =Revox 656

6.4.17. Aufnahmepegel

- Die Wiedergabepegel müssen eingestellt sein.
- NF-Generator an LINE INPUT parallel anschliessen.
- NF-Millivoltmeter an den Ausgang MONITOR anschliessen.
- Leeres Band auflegen und auf Aufnahme starten.
- Generator bei 1000Hz auf den Operationspegel einstellen.
- Vor- Hinterbandschalter (20) auf REPRODUCE stellen.
- Mit den Reglern REC LEVEL CH1 bzw. CH2 den Operationspegel einstellen.

Kontrolle:

Kein Pegelsprung beim Umschalten von Vor- auf Hinterband.
(Mono-Geräte mit Regler CH1 abgleichen.)

6.4.18. Aufnahme Entzerrung

- NF-Millivoltmeter an MONITOR anschliessen.
- NF-Generator an LINE INPUT parallel anschliessen (0 VU -20 dB, 12kHz).
- Leeres Band auflegen und auf Aufnahme starten.
- Entsprechend der Bandgeschwindigkeit mit den Einstellreglern EQ SLOW, FAST die Ausgangsspannung auf 0dB bis +1dB bezüglich 1kHz einstellen.

6.4.17. Recording level

- The levels of the reproducing system must already be adjusted.
- Connect audio generator in parallel to LINE INPUTs.
- Connect audio millivoltmeter to MONITOR.
- Load recorder with blank tape and start in the recording mode.
- Set frequency of 1000Hz on audio generator and adjust its level to the operating level.
- Switch OUTPUT selector to position REPRODUCE.
- Adjust the trimpots REC LEVEL, CH1 or CH2 respectively to obtain the operating level at the output MONITOR.

Double check:

There must be no level difference when switching the output selector between the positions REPRODUCE and INPUT.
(Adjust level on mono machines with CH1 potentiometer.)

6.4.18. Adjusting the recording equalization

- Connect audio millivoltmeter to the output MONITOR.
- Connect audio generator in parallel to both LINE INPUTs (signal condition: 12kHz, level 20dB below 0VU).
- Load recorder with blank tape and start in the recording mode.
- While recording the 12kHz signal, adjust the trimpots EQ SLOW, FAST at the respective tape speeds until the signal level at the recorder's output falls within the range from 0dB to +1dB relative to 1kHz.

6.4.17. Niveau d'enregistrement

- Les niveaux de lecture doivent être ajustés.
- Raccordez un générateur BF aux entrées LINE INPUT.
- Branchez un millivoltmètre BF à la sortie MONITOR.
- Placez une bande vierge et démarrez en enregistrement.
- Réglez le générateur BF à 1000Hz, niveau opérationnel.
- Mettez le sélecteur OUTPUT sur REPRODUCE.
- Réglez les potentiomètres REC LEVEL CH1 et CH2 pour obtenir le niveau opérationnel. Le sélecteur de mode sera commuté sur CH1 et CH2 respectivement.

Contrôle:

Assurez-vous qu'il n'y a aucune différence de niveau entre REPRODUCE et INPUT.
(Ajustez les appareils mono avec le réglage CH1.)

6.4.18. Préaccentuation d'enregistrement

- Branchez un millivoltmètre BF à la sortie MONITOR.
- Raccordez un générateur BF aux entrées LINE INPUT (0VU -20dB, 12kHz).
- Placez une bande vierge et démarrez en enregistrement.
- Réglez les niveaux de sortie aux vitesses correspondantes EQ SLOW, FAST pour obtenir 0dB jusqu'à +1dB relatif à 1kHz.

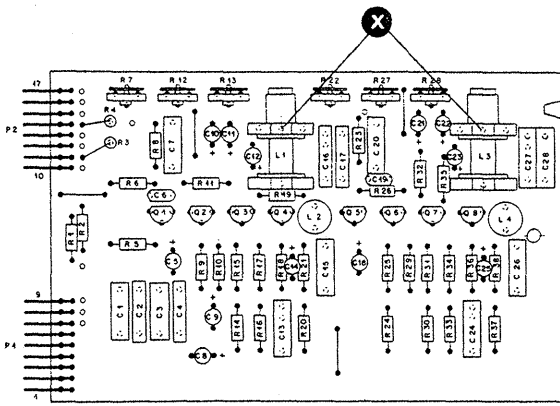


Fig. 6.4.-5

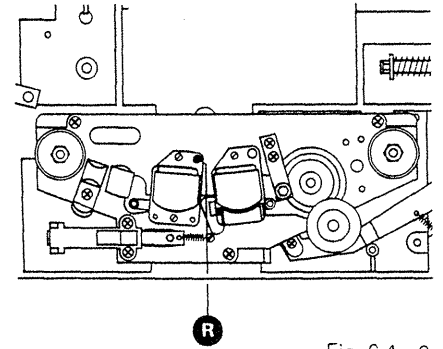


Fig. 6.4.-6

4.15. Spaltjustierung Aufnahmekopf, fein (Phasenmethode)

Um Messfehler, die durch Phasenverschiebung $> 90^\circ$ entstehen könnten, zu vermeiden, ist es unbedingt erforderlich die Spaltjustierung nach Pegelmaximum-Methode (6.4.14.) vorzunehmen.

- Betriebsartenschalter OUTPUT (22) auf Stellung MONO.
- NF-Millivoltmeter an Ausgang MONITOR anschliessen.
- NF-Generator an Anschluss LINE INPUT parallel anschliessen. Frequenz: 10kHz/Spannung: 0 VU-20dB.
- Leeres Band auflegen und auf Aufnahme starten.
- Mit Justierschraube (R) (Fig. 6.4.-6) die Ausgangsspannung auf Maximum (scharf) einstellen.

6.4.16. Vormagnetisierung

- NF-Millivoltmeter an LINE OUTPUT CH1/CH2 anschliessen
 - NF-Generator an LINE INPUT anschliessen (10kHz, 0VU-20dB)
 - Leeres Band der gewünschten Sorte auflegen und auf Aufnahme starten.
 - Mit Reglern
BIAS ADJ CH1 (SLOW + FAST)
BIAS ADJ CH2 (SLOW + FAST)
- vom Linksanschlag in Uhrzeigerichtung drehen bis das NF-Ausgangsspannungs-Maximum erreicht ist. Entsprechende Bandgeschwindigkeitstaste wählen.

6.4.15. Recording head azimuth fine adjustment (Phase check method)

In order to avoid the possibility of phase errors in excess of 90° , it is essential that the azimuth adjustment as described under section 6.4.14. is first completed.

- Turn mode selector OUTPUT (22) to position MONO.
- Connect audio millivoltmeter to MONITOR socket in parallel.
- Connect audio generator to LINE INPUT's in parallel. Select frequency of 10kHz and adjust to a level of 20dB below 0VU.
- Load recorder with blank tape and start in the recording mode.
- Adjust screw (R) (fig. 6.4.-6) until a sharply rising, well defined maximum in output voltage is obtained.

6.4.16 Bias adjustment

- Connect millivoltmeter to LINE OUTPUT CH1/CH2.
 - Connect AF generator to LINE INPUT (10kHz, 0VU-20dB).
 - Mount blank tape of the desired quality and start machine in record mode.
 - Turn potentiometers
BIAS ADJ. CH1 (SLOW + FAST)
BIAS ADJ. CH2 (SLOW + FAST)
- clockwise from the left-hand limit position until the maximum AF output level is reached. Select corresponding tape speed.

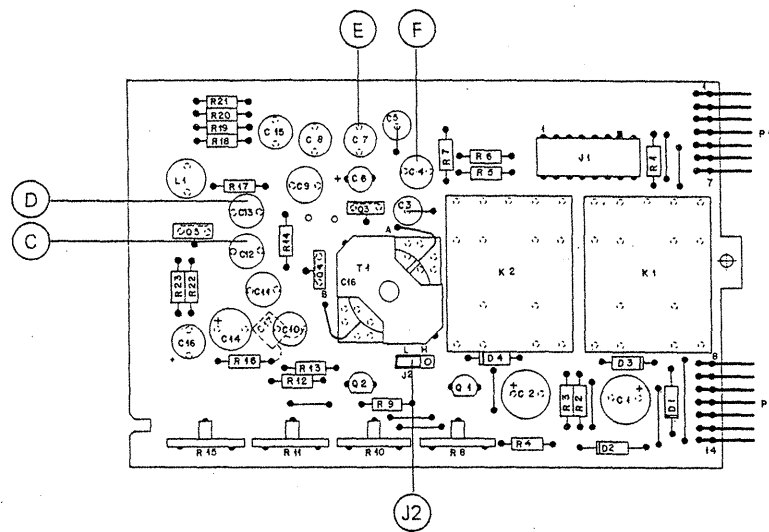
6.4.15. Réglage fin de l'azimut de la tête d'enregistrement (Méthode des phases)

Pour effectuer ce réglage, il est absolument nécessaire de procéder au réglage décrit précédant (6.4.14.) pour éviter une erreur de 90° .

- Sélectionnez OUTPUT (22) sur MONO.
- Branchez un millivoltmètre BF à la sortie MONITOR.
- Raccordez un générateur BF aux entrées LINE INPUT. Fréquence: 10kHz/tension: 0VU-20dB.
- Placez une bande vierge et démarrez en enregistrement.
- Effectuez le réglage fin (très pointu) avec la vis (R) pour obtenir le signal de sortie maximum.

6.4.16. Prémagnétisation

- Raccordez le millivoltmètre BF à LINE OUTPUT CH1/CH2.
 - Raccordez le générateur BF à LINE INPUT (10kHz, 0VU-20dB).
 - Placez la bande vierge du type choisi et faites démarrer l'appareil en fonction d'enregistrement.
 - Tournez les réglages
BIAS ADJ, CH1 (SLOW + FAST)
BIAS ADJ, CH2 (SLOW + FAST)
- dépuis la butée de gauche et dans le sens des aiguilles d'une montre jusqu'à ce que la tension de sortie BF maximale soit atteinte. Choisissez la vitesse de défilement appropriée.



6.4.13. HF-Sperrkreise Aufnahme

- NF-Millivoltmeter an Messpunkt (X) des jeweiligen Aufnahmekanals anschliessen (Fig. 6.4.–5), siehe auch Schaltbild 1.177.230.
- Leeres Band auflegen und Gerät auf Aufnahme schalten.
- Mit Reglern BIAS TRAP CH1 und CH2 auf Spannungsminimum einstellen (<350 mV) (Mono-Geräte mit Regler CH1 abgleichen.)

6.4.14. Spaltjustierung Aufnahmekopf, grob (Pegelmaximum)

- NF-Millivoltmeter an Ausgang MONITOR anschliessen. Bereich 100 mV.
- NF-Generator an LINE INPUT CH1 und CH2 parallel anschliessen. Frequenz 10kHz.
- Leeres Band einlegen und auf Aufnahme starten. Generatorpegel so verstellen, dass sich am Ausgang eine Spannung von 77,5 mV einstellt.
- Mit Justierschraube (R) (Fig. 6.4.–6) Pegelmaximum einstellen. Anzeigeverzögerung beachten, deshalb besonders langsam einstellen.

6.4.13. Bias trap, recording section

- Connect millivoltmeter to the test point (X) of the respective recording channel (fig. 6.4.–5). Refer to circuit diagram 1.177.230.
- Load recorder with blank tape and start in the recording mode.
- Adjust the controls BIAS TRAP CH1 + CH2 to obtain a minimum voltage indication (< 350mV) (Adjust level on mono machines with CH1 potentiometer.)

6.4.14 Azimuth adjustment of record head, coarse (Adjust for a max. reading)

- Connect audio millivoltmeter to MONITOR OUTPUT and select 100mV range.
- Connect audio generator in parallel to LINE INPUTS CH1 and CH2. Select frequency of 10kHz.
- Load recorder with blank tape and start in the recording mode. Adjust generator level to obtain an output reading of 77.5mV.
- Rotate screw (R) (fig. 6.4.–6) to obtain maximum output level. Because there is a time lag before the effects of any alteration in record head azimuth will be shown on the meter, screw (R) should be rotated very slowly.

6.4.13. Trappe HF, circuit d'enregistrement

- Branchez un millivoltmètre BF au point de mesure (X) de chaque canal d'enregistrement (fig. 6.4.–5), voyez également le schéma 1.177.230.
- Placez une bande vierge et démarrez en enregistrement.
- Réglez les BIAS TRAP CH1 et CH2 au minimum de tension (< 350mV) (Ajustez les appareils mono avec le réglage CH1.)

6.4.14. Réglage grossier de l'azimut de la tête d'enregistrement (Niveau maximum)

- Branchez un millivoltmètre BF à la sortie MONITOR. Echelle 100mV.
- Raccordez le générateur BF aux entrées LINE INPUT. CH1 + CH2. Fréquence: 10kHz/signal.
- Placez une bande vierge et démarrez en enregistrement.
- Ajustez le niveau du générateur de façon à obtenir à la sortie une tension de 77,5 mV.
- Tournez la vis de réglage (R) (fig. 6.4.–6) pour obtenir le signal de sortie maximum. Tournez la vis lentement en tenant compte du décalage des têtes.

4.12. HF-Spannungen und Frequenz kontrollieren

- Leeres Band auflegen und auf Aufnahme starten. (CH1 + CH2 auf READY)

Löschkopfspannung:

- Löschkopfspannung am Löschkopf mit Voltmeter messen:
Richtwert: 30 V ... 32 V AC

Oszillatorfrequenz:

- Oszillatorfrequenz mit Digital-Zähler oder Oszilloskop am Löschkopf messen. Die Frequenz beträgt 150 kHz \pm 5 kHz. Aufzeichnung am Oszilloskop: 15 Schwingungen/100 μ s.
- Bei Frequenzabweichung, mit Regelstift von T1 auf Oszillator-Steckkarte, nachjustieren. Oszillator ist dabei auf Verlängerungs-Steckkarte 1.177.243 aufzustecken.
- Bei einer Induktivität des Löschkopfes von \leq 210 μ H muss der Kondensator C7 parallel zum Löschkopf, mit der Lötbrücke E, geschaltet werden. Bei Stereo zusätzlich C4, mit der Lötbrücke F.
- Jumper J2 in Pos. L einstecken und Oszillatorfrequenz gemäss Section 6/7 (6.4.12) abgleichen. Beträgt die Oszillatorfrequenz mehr als 155 kHz muss mittels den Lötbrücken C und/oder D die Schwingkreis Kapazität erhöht, und ein neuer Abgleich auf Nennfrequenz durchgeführt werden.
- Löschdämpfung gemäss Section 6/12 (6.5.3) messen, bei einem Messwert $<$ 75 dB muss der Jumper J2 in Pos. H eingesetzt werden. Mit einem Oszilloskop das HF-Signal prüfen, denn eine Sättigung des Löschkopfes ergibt ein verzerrtes Signal. Ist dies der Fall, muss der Löschkopf ersetzt werden.

6.4.12. Checking voltage and RF frequency of the oscillator

- Load recorder with blank tape (set CH1 and CH2 to ready) and start in the recording mode.

Erase voltage:

- Use electronic voltmeter to measure the RF-voltage on the erase head:
approx. value: 30 V ... 32 V

Oscillator frequency:

- Measure the oscillator frequency on the erase head with a digital counter. The frequency must read 150 kHz \pm 5 kHz. When measuring with an oscilloscope, the display must consist of 15 cycles on the 100 μ sec time base.
- If the frequency deviates beyond the above limits, adjust the slug in T1 on the oscillator board. For this adjustment, the extension board 1.177.243 is required in order to gain access to the coil.
- With an erase head inductivity of \leq 210 μ H, the capacitor C7 must be connected parallel to the erase head by means of solder strap E; for stereo versions C4 must also be connected with solder strap F.
- Mount jumper J2 in position L and align the oscillator frequency according to Section 6/7 (6.4.12). If the oscillator frequency is greater than 155 kHz, the capacity of the resonant circuit must be increased by means of solder straps C and/or D and realignment to nominal frequency will be necessary.
- Measure the erase depth according to Section 6/12 (6.5.3); if the measured value is $<$ 75 dB, jumper J2 must be inserted in position H. Check the RF signal with the aid of an oscilloscope because saturation of the erase head results in a distorted signal. Replace the erase head if this should be the case.

6.4.12. Contrôlez le voltage et la fréquence de l'oscillateur

- Placez une bande vierge et démarrez en enregistrement (CH1 et CH2 sur READY).

Tension d'effacement:

- Mesurez la tension d'effacement sur la tête d'effacement:
Valeur approchée: 30 ... 32 V AC.

Fréquence de l'oscillateur:

- Effectuez la mesure sur la tête d'enregistrement avec un compteur digital ou un oscilloscope. La fréquence est de 150 kHz \pm 5 kHz. Sur l'oscilloscope on doit obtenir 15 alternances par 100 μ s.
- Une déviation de la fréquence se corrige à l'aide du noyau de T1 de la plaquette oscillateur, qui pour le réglage sera enfichée sur la plaquette de prolongation 1.177.243
- Pour une inductivité de \leq 210 μ H de la tête d'effacement le condensateur C7 doit être commuté parallèlement à la tête d'effacement, à l'aide du pont par soudure E. Pour la stéréo, aussi le condensateur C4, à l'aide du pont par soudure F.
- Enficher sur la position L le connecteur J2 et aligner la fréquence de l'oscillateur selon la section 6/7 (6.4.12). Si la fréquence de l'oscillateur est supérieure à 155 Hz, il faut augmenter la capacité du circuit oscillant à l'aide du pont par soudure C et/ou D, et procéder ensuite à un nouvel alignement sur la fréquence nominale.
- Mesurer le rapport signal/niveau résiduel d'effacement selon la section 6/12 (6.5.3); pour une valeur de mesure $<$ 75 dB, le connecteur J2 doit être placé sur la position H. Vérifier le signal H.F. à l'aide d'un oscilloscope, car une saturation de la tête d'effacement donne un signal déformé par distorsion. Si tel est le cas, la tête d'effacement doit être remplacée.

Level Adjustments

Align:	IN + OUTPUT			Playback		
Monitor-Switch:	Source			Tape		
Measure on/with:	LINE-IN	MONI-TOR OUT	LINE-OUT	Ref. Alignm. Tape	MONI-TOR OUT	LINE-OUT
Adjust:	Audio Generator	Line Input R8/16	Output Level R72/71		REPRODUCE LEVEL FAST: R32/8	SLOW: R22/16
9.5 / 19 NAB 2-Trk	2.45V 10dBm	1.55V 6dBm	2.45V 10dBm	MRL 19 200 nW/m	0.62V -2dBm	1 V 2dBm
19 / 38 NAB 2-Trk	2.45V 10dBm	1.55V 6dBm	2.45V 10dBm	MRL 38 200 nW/m	0.62V -2dBm	1 V 2dBm
19 / 38 IEC 2-Trk	1.55V 6dBm	1.55V 6dBm	1.55V 6dBm	DIN 38 320 nW/m	1 V 2dBm	1 V 2dBm
19 / 38 IEC MONO	1.55V 6dBm	1.55V 6dBm	1.55V 6dBm	DIN 38 320 nW/m	1.55V 6dBm	1.55V 6dBm

Monitor Level 6dBm (1.55V) = Peak Level = 6dBVU
 Monitor Level 0dBm (775mV) = Operating Level = 0dBVU

Valid for all Machine types

LINE:

NAB => Peak Level = 10dBm (2.45V)
 Operating level = 4dBm (1.23V)

CCIR => Peak Level = 6dBm (1.55V)
 Operating level = 0dBm (775mV)

VU meter indication is always 0 dB at an output of 0.775V on the monitor socket.

6.4.10. Wiedergabepegel ab Testband einstellen

- NF-Millivoltmeter an LINE-OUTPUT CH1 anschliessen.
 - Testband auf Pegeltonteil (NAB = Operationspegel, DIN/CCIR = Spitzenpegel) vorspulen
 - Gerät auf Wiedergabe starten.
 - Mit dem Regler REPR LEVEL CH1 den gewünschten Operations-/Spitzenpegel einstellen.
 - NF-Millivoltmeter an LINE-OUTPUT CH2 anschliessen.
 - Mit dem Regler REPR LEVEL CH2 den Kanal einstellen.
- Einstellung getrennt nach Bandgeschwindigkeit SLOW bzw. FAST vornehmen (Mono-Geräte mit Regler CH2 abgleichen.)

Achtung: Die Testbänder (Pegeltonteil) sind eventuell mit einem unterschiedlichen magnetischen Fluss aufgenommen. Man beachte obenstehende Tabelle.

6.4.11. Frequenzgangkontrolle ab Testband

- Testband auf den Frequenzgangteil vorspulen.
- NF-Millivoltmeter an LINE OUTPUT (CH1 + CH2) anschliessen.
- Gerät auf Wiedergabe starten, den Frequenzgang bezogen auf 1000Hz kontrollieren und mit Regler optimal abgleichen.
- Es können gleichzeitig beide Kanäle gemessen werden, indem der Betriebsartenschalter OUTPUT (22) umgeschaltet wird (CH1/CH2).

6.4.10. Adjustment of the playback level from calibration tape

- Connect AF millivoltmeter to LINE OUTPUT CH1.
 - Advance test tape to level tone section (NAB = operating level, DIN/CCIR = peak level).
 - Start machine in reproduce mode.
 - Adjust potentiometer REPR LEVEL CH1 to the desired operating-/peak level.
 - Connect AF millivoltmeter to LINE OUTPUT CH2.
 - Adjust potentiometer REPR LEVEL CH2 to the desired operating level.
- Adjust separately for tape speeds SLOW and FAST.
 (Adjust level on mono machines with CH2 potentiometer.)

Caution: Reference level from calibration tapes may be recorded at various flux levels; please check with the above chart.

6.4.11 Frequency response check from calibration tape

- Advance test tape to the frequency response section.
- Connect AF millivoltmeter to LINE OUTPUT CH1 and CH2.
- Start machine in play, and check the frequency response using 1000Hz as reference; proceed to optimum adjustments.
- The frequency response of both channels may be checked in one run by alternating the setting of the OUTPUT (22) mode selector between the position CH1 and CH2.

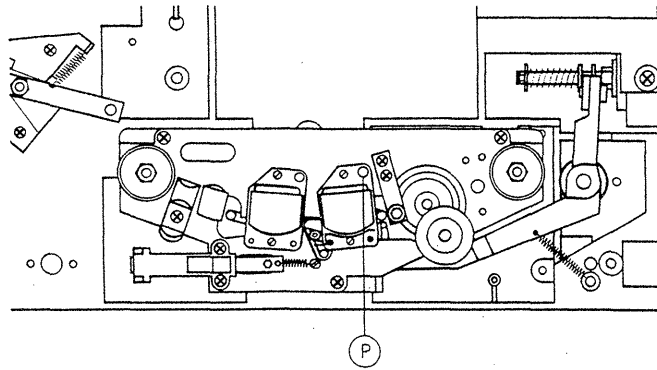
6.4.10. Ajustment du niveau de lecture à partir de la bande test

- Raccordez le millivoltmètre BF à la sortie LINE OUTPUT CH1.
 - Faites avancer la bande test jusqu'au niveau de référence, (NAB = niveau opérationnel, DIN/CCIR = niveau de crêtes). Mettez l'appareil en fonction de lecture.
 - Procédez au réglage du niveau désiré (opérationnel et de crêtes) par REPR LEVEL CH1.
 - Raccordez le millivoltmètre BF à la sortie LINE OUTPUT CH2.
 - Réglez l'autre canal au moyen du réglage REPR LEVEL CH2.
- Deux réglages distincts doivent être effectués pour les vitesses de défilement SLOW et FAST. (Ajustez les appareils mono avec le réglage CH2.)

Attention: les niveaux de référence des bandes test peuvent être enregistrés à des valeurs de flux magnétique différents. Consultez la table ci-dessus.

6.4.11. Contrôle de la réponse en fréquence au moyen de la bande test

- Amenez la bande test sur les fréquences de références.
- Raccordez le millivoltmètre BF à la sortie LINE OUTPUT (CH1 + CH2).
- Démarrez en lecture et contrôlez la réponse en fréquence en vous référant à 1000Hz; Procédez à l'ajustement optimum.
- Les deux canaux peuvent être mesurés en une fois en commutant le sélecteur du mode de reproduction OUTPUT (22) (CH1/CH2).



6.4.8. Spaltjustierung Wiedergabekopf, grob (Pegelmaximum)

Kontrolle:

Der Spalt muss in der Mitte des Schleifspiegels liegen.

- Schleifspiegel mit einem Fettstift waagrecht markieren und anschliessend kurz ein Band laufen lassen. Der Spalt muss in der Mitte der durch das Band polierten Stelle liegen.
- Testband auflegen und auf Spaltjustierteil (10kHz) vorspulen.
- NF-Millivoltmeter an Ausgang LINE OUTPUT CH1/CH2 anschliessen.
- Wiedergabetaste PLAY drücken und an Justierschraube (P) auf Ausgangsspannungs-Maximum einstellen.

6.4.9. Spaltjustierung Wiedergabekopf, fein (Phasenmethode) (nur 2-Kanal Geräte)

Für die Spaltjustierung nach der Phasenmethode ist es unbedingt erforderlich, dass die Spalteinstellung mit Pegelmaximum-Abgleich (6.4.8.) zuerst vorgenommen wird, damit Phasenfehler > 90° mit Sicherheit vermieden werden.

- Betriebsartenschalter OUTPUT (22) auf Stellung MONO.
- NF-Millivoltmeter an MONITOR parallel anschliessen.
- Testband auf Spaltjustierteil (10kHz) auf Wiedergabe starten und mit Justierschraube (P) auf Ausgangsspannungs-Maximum (scharf) einstellen.

Achtung: Den zur Spalteinstellung notwendigen Inbus-Schlüssel unbedingt mit einem Isolierschlauch versehen. Damit wird eine Magnetisierung des Wiedergabekopfes bei Kontakt mit dessen Anschlüssen verhindert.

6.4.8. Azimuth adjustment of the playback head, coarse (Adjust for a max. reading)

Double check:

Check to make sure that the head gap is centered inside the wear patten on the head.

- With grease pencil make horizontal mark on the head face, run tape for several seconds, then check position of the head gap inside the polished area. If necessary adjust head position to bring gap into center of wear area.
- Insert calibration tape. Forward tape to azimuth adjustment section (10kHz).
- Connect millivoltmeter to output LINE OUTPUT CH1/CH2.
- Depress PLAY key and adjust for maximum output voltage with setscrew (P).

6.4.9. Azimuth adjustment of reproduce head, fine (Phase method) (2-track machine only)

When using the phase check method for alignment of the head azimuth, it is essential that the azimuth is first adjusted for level maximum (section 6.4.8.) so as to avoid the possibility of a phase error in excess of 90°.

- Switch mode selector OUTPUT (22) to position MONO.
- Connect audio millivoltmeter to both MONITOR in parallel.
- Load recorder with calibration tape 7 1/2 ips and run azimuth adjusting section (10kHz) while rotating screw (P) until a pronounced maximum in output voltage is obtained.

Attention: It is imperative that the hollow wrench is covered by an insulation tube to avoid magnetization of the reproduce head when touching its connections.

6.4.8. Réglage grossier de l'azimut de la tête de lecture (Niveau maximum)

Contrôle:

L'entre-fer doit être centré sur la surface de contact de la bande.

- Faites un trait horizontal sur chaque piste avec un crayon gras, puis passez une bande quelques instants. Contrôlez que l'entre-fer se trouve bien centré sur les parties effacées.
- Effectuez les commutations selon la fig. 6.4.-5.
- Placez la bande test et faites-la avancer jusqu'à la partie servant au réglage de l'azimut (10kHz).
- Raccordez le millivoltmètre à la sortie LINE OUTPUT CH1/CH2.
- Pressez la touche de lecture PLAY et tournez la vis d'ajustage (P) pour obtenir le niveau de sortie maximal.

6.4.9. Réglage fin de l'azimut de la tête de lecture (Méthode de la phase) (pour les appareils 2 canaux)

- Pour effectuer ce réglage, il est absolument nécessaire de procéder au réglage décrit précédant (6.4.8.) pour éviter une erreur de 90°.
- Sélecteur OUTPUT (22) en position MONO.
- Branchez un millivoltmètre BF aux sorties MONITOR.
- Passez en lecture la partie destinée au réglage de l'azimut (10kHz) et effectuez le réglage fin (très pointu) avec la vis (P) pour obtenir le signal de sortie maximum.

Attention: Pour le réglage de l'azimut, il est impératif d'utiliser une clé imbus recouverte d'un isolant. Ceci afin d'éviter tout contact électrique qui pourrait magnétiser la tête.

6.4.6. LINE OUTPUT LEVEL kalibrieren

- Der Eingangskreis muss kalibriert sein.
- Eingangsspegel wieder auf den Operationspegel einstellen. Millivoltmeter am LINE OUTPUT anschliessen
- Einstellregler LINE OUTPUT LEVEL (Geräteunterseite) auf den gewünschten Operationspegel einstellen.
(Mono-Geräte mit Regler CH2 abgleichen.)

6.4.7. Frequenzgang-Kontrolle "vor Band"

- NF-Generator an Anschluss LINE INPUT parallel anschliessen.
- NF-Millivoltmeter am Ausgang MONITOR anschliessen.
- Generator von 30Hz...20kHz durchstimmen. Am Millivoltmeter Frequenzgangabweichungen ablesen. Toleranz $\pm 0/-1$ dB.
- Frequenzgangkontrolle an beiden Kanälen vornehmen.

6.4.6. Adjustment of LINE OUTPUT LEVEL

- Calibrate input circuit.
- Decrease input level to operating level.
- Connect millivoltmeter to LINE OUTPUT
- Adjust LINE OUTPUT LEVEL potentiometer (underside of machine) to desired operating level.
(Adjust mono machines with the CH2 potentiometer).

6.4.7. Checking frequency response from the "input" circuit

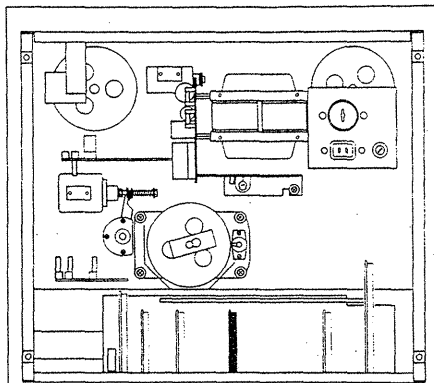
- Connect AF generator to LINE INPUT terminal in parallel.
- Connect AF millivoltmeter to MONITOR output.
- Sweep generator from 30Hz to 20kHz. Check frequency response deviation at millivoltmeter. Tolerance $\pm 0/-1$ dB.
- Check frequency response on both channels.

6.4.6. Calibrage LINE OUTPUT LEVEL

- Le circuit d'entrée doit être calibré.
- Accordez à nouveau le niveau d'entrée au niveau opérationnel.
- Raccordez le millivoltmètre au LINE OUTPUT
- Réglez le potentiomètre LINE OUTPUT LEVEL (sous l'appareil) sur le niveau opérationnel désiré.
(Ajustez les appareils mono avec le réglage CH2.)

6.4.7. Contrôle de la réponse en fréquence "avant bande"

- Raccorder le générateur BF à LINE INPUT.
- Raccorder le millivoltmètre à la sortie MONITOR.
- Balayer de 30Hz à 20kHz avec le générateur. Contrôler la réponse au millivoltmètre. La tolérance pour les deux canaux se situe à $\pm 0/-1$ dB.



6.4.4. Kontrolle Eingangsmischung bei einkanaliger Einspeisung

- NF-Generator auf gleichem Pegel belassen (1000 Hz, Operationspegel am Ausgang). Beide VU-Meter zeigen 0VU.
- Zusätzlich Aufnahmevorwahlschalter (25) CH2 auf READY. Nur linkes VU-Meter zeigt 0VU.
- Eingang-Pegelregler INPUT LEVEL, CH1 auf Anschlag "0".
- Eingang-Pegelregler INPUT LEVEL, CH2 auf Anschlag "10". Nur rechtes VU-Meter zeigt 0VU.
- Aufnahmevorwahlschalter (25) CH1 auf SAFE. Beide VU-Meter zeigen 0VU.

6.4.5. VU-Meter und PEAK-INDICATOR-LED kalibrieren

- NF-Millivoltmeter ($R_i = \geq 100k\Omega$) am Monitoranschluss Pin3 (CH1)/Pin5 (CH2) und Pin2 (GND) anschliessen.
- Am LINE IN-Eingang NF-Generator anschliessen.
- Pegel verändern bis an MONITOR OUT 0,775V (0dB) gemessen werden.
- Einstellregler METER CAL CH1/CH2 (an der Geräteunterseite) auf 0VU an den Anzeigeelementen einstellen. Die Eingangsspannung um 6dB (auf 1.55V am Monitorausgang) erhöhen.
- Einstellregler PEAK-INDICATOR CH1/CH2 so einstellen, dass die LED-Anzeigen im VU-Meter gerade aufleuchten.

6.4.4. Checking input mixing when only one channel is fed at a time

- Audio generator adjusted as for previous test (1000Hz, operation level). Both VU-meters indicate 0VU.
- Switch record preselector (25) CH2 to READY. Only the left-hand VU-meter indicates 0VU.
- Turn potentiometer INPUT LEVEL CH1 fully counterclockwise to position "0".
- Turn potentiometer INPUT LEVEL CH2 fully clockwise to position "10". Only the right-hand VU-meter will read 0VU.
- Switch record preselector (25) CH1 to position SAFE. Both VU-meters indicate 0VU.

6.4.5. VU-meter and LED PEAK INDICATOR calibration

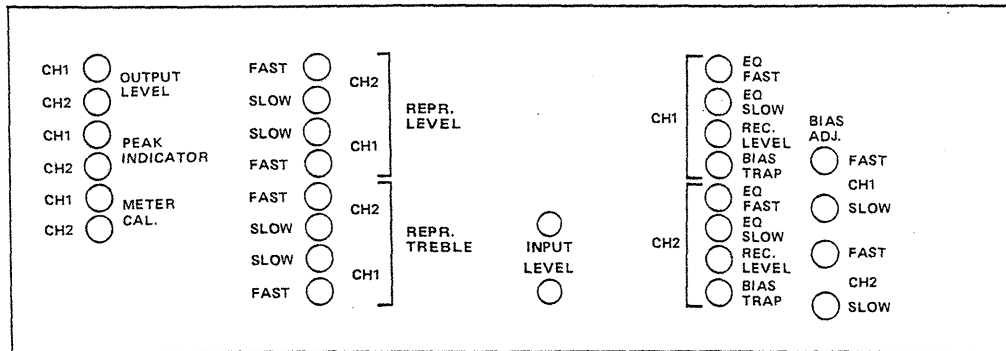
- Connect AF millivoltmeter to monitor connector pin 3 (CH1)/pin 5 (CH2) and pin 2 (GND).
- Connect AF generator to LINE IN connector.
- Adjust generator output until the reading on the MONITOR OUT shows 0.775V (0dB).
- Adjust the calibration potentiometer CAL CH1/CH2 (located on the lower section of the unit) for a zero reading on the VU-meter. Increase the level by 6dB (1.55V on the monitor output).
- Adjust potentiometer PEAK INDICATOR CH1/CH2 in such a manner that the LEDs of the VU-meter just start to light up.

6.4.4. Contrôle du mélange d'entrée avec signal que sur un canal

- Laissez le même niveau du générateur BF (1000Hz niveau opérationnel à la sortie). Les deux VU-mètres indiquent 0VU.
- Commutez le présélecteur d'enregistrement CH2 (25) sur READY. Seul le VU-mètre gauche indique 0VU.
- Tournez le potentiomètre d'entrée INPUT LEVEL CH1 sur "0".
- Tournez le potentiomètre d'entrée INPUT LEVEL CH2 sur "10". Seul le VU-mètre droit indique 0VU.
- Commutez le présélecteur d'enregistrement (25) CH1 sur SAFE. Les deux VU-mètres indiquent 0VU.

6.4.5. Calibrage des VU-mètres et des crête-mètres LED

- Raccordez le millivoltmètre BF ($R_i = \geq 100k\Omega$) à la prise moniteur Pin3 (CH1)/Pin5 (CH2) et Pin2 (GND).
- Raccordez le générateur BF à l'entrée ligne (LINE IN).
- Réglez le niveau du générateur jusqu'à ce que le millivoltmètre BF indique 0.775V (0dB) à la prise MONITOR OUT.
- Ajustez les potentiomètres METER CAL CH1/CH2 (au bas de l'appareil) à 0VU de l'instrument. Augmentez la tension d'entrée de 6dB (1.55V à la sortie moniteur).
- Réglez le potentiomètre PEAK-INDICATOR CH1/CH2 de telle manière que les indicateurs LED s'allument dans le VU-mètre.



6.4. Audio-Einstellungen

6.4.1. Testbänder

Testband für NAB-Versionen:
MRL (Magnetic Reference Laboratory) Reproducer Calibration Tape

Bezugspegel	Monitor	Line Output
0VU = 250nWb/m	775mV	+4dBu
-2VU = 200nWb/m	620mV	+2dBu

Testband für CCIR/IEC-Version

BASF Bezugsband

Bezugspegel	Monitor	Line Output
0VU = 257nWb/m	775mV	0dBu
+2VU = 320nWb/m	964mV	+2dBu

6.4.2. Entmagnetisierung

Vor jeder Messung oder Einstellung mit laufendem Band sind die Tonköpfe und Bandführungen zu entmagnetisieren!

Starke Gleichfeld-Magnetisierungen verschlechtern den Geräuschspannungsabstand und den Frequenzgang. An den Bezugsbändern können zudem Beschädigungen zurückbleiben.

6.4.3. Eingangskreis kalibrieren:

- Bodenbrett abschrauben. (4 Schrauben an der Rückseite des Gerätes lösen).
- NF-Millivoltmeter ($R_i = \geq 100k\Omega$) am Monitoranschluss Pin3 (CH1)/Pin5 (CH2) und Pin2 (GND) anschliessen.
- Am Leitungseingang mit NF-Generator 1kHz auf gewünschten Operationspegel für 0VU einspeisen.
- Gerät einschalten.
- Taste UNCAL (21) lösen, Ausgangswahlschalter (22) auf STEREO.
- Schalter OUTPUT (20) auf INPUT stellen.
- Den Monitorausgang mit dem entsprechenden Regler R (CH1)/R (CH2) (auf LINE INPUT CIRCUIT) auf 0,775V einstellen. (Mono-Geräte mit Regler CH1 abgleichen.)

6.4. Audio adjustments

6.4.1. Calibration tapes

Calibration tape for NAB versions:
MRL (Magnetic Reference Laboratory) Reproducer Calibration Tape

Reference level	Monitor	Line output
0VU = 250nWb/m	775mV	+4dBu
-2VU = 200nWb/m	620mV	+2dBu

Calibration tape for CCIR/IEC version

BASF calibration tape

Reference level	Monitor	Line output
0VU = 257nWb/m	775mV	0dBu
+2VU = 320nWb/m	964mV	+2dBu

6.4.2. Demagnetizing

Demagnetize the sound heads and tape guides prior to any adjustments or measurements with tape.

Strong DC magnetization causes a deterioration of the signal to noise ratio and frequency response as well. Reference tapes may become permanently damaged.

6.4.3. Input circuit calibration

- Remove base board from machine (undo 4 screws on back of unit).
- Connect AF millivoltmeter to monitor connector pin 3 (CH1)/pin 5 (CH2) and pin 2 (GND).
- With AF generator, apply 1kHz signal of desired operating level for 0VU.
- Switch on machine.
- Release UNCAL key (21), turn output selector switch (22) to STEREO.
- Set mode selector (20) to INPUT position.
- Set monitor output with the corresponding potentiometer until a reading of 0.775V is obtained R (CH1)/R (CH2) (located on the LINE INPUT CIRCUIT). (For mono machines adjust with the CH1 potentiometer.)

6.4. Réglages audio

6.4.1. Bande étalon

Bande test pour versions NAB:
MRL (Magnetic Reference Laboratory) Reproducer Calibration Tape

Niveau de référence	Monitor	Line Output
0VU = 250nWb/m	775mV	+4dBu
-2VU = 200nWb/m	620mV	+2dBu

Bande test pour versions CCIR/IEC

Bande de référence BASF

Niveau de référence	Monitor	Line Output
0VU = 257nWb/m	775mV	0dBu
+2VU = 320nWb/m	964mV	+2dBu

6.4.2. Démagnétisation

Il est très important de démagnétiser les têtes et les guides de bande avant de poser une bande de mesure sur l'appareil.

De fortes inductions magnétiques continues peuvent dégrader les caractéristiques du bruit de fond et de la courbe de réponse et peuvent effacer partiellement les bandes étalon.

6.4.3. Calibrage du circuit d'entrée:

- Démontez le boîtier (corbeille) (4 vis au dos de l'appareil).
- Raccordez le millivoltmètre BF ($R_i = \geq 100k\Omega$) à la prise moniteur Pin3 (CH1) / Pin5 (CH2) et Pin2 (GND).
- A l'entrée de ligne, alimentez par générateur BF 1kHz sur le niveau opérationnel désiré pour 0VU.
- Enclenchez l'appareil.
- Relâchez la touche UNCAL (21) et placez le sélecteur de sortie (22) sur STEREO.
- Commutateur OUTPUT (20) sur INPUT.
- Ajustez la sortie moniteur à l'aide des potentiomètres R (CH1)/R (CH2) (du LINE INPUT CIRCUIT) pour 0,775V. (Appareils mono avec CH1.)

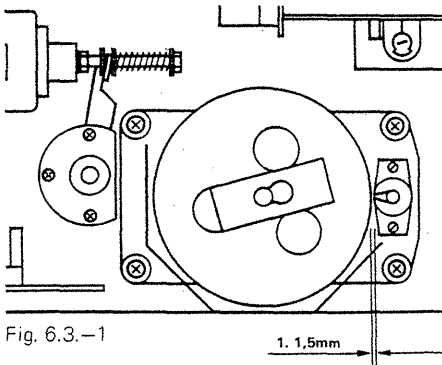


Fig. 6.3.-1

- Zähler an TP1 und P5 (Masse) auf Drehzahlregelungs-Steckkarte anschliessen.
- Anzeige an Zähler muss 800 Hz sein. Einstellung an R14.
- Gerät auf kleine Bandgeschwindigkeit umschalten.
- Anzeige muss 800 Hz sein.
- Die Anzeige bei beiden Bandgeschwindigkeiten muss innerhalb 1 Hz liegen.

6.3.4. Kontrolle Bandendabschalter

- aus Gehäuse ausbauen (siehe 3.1.)
- auf der TAPE DRIVE CONTROL 1.177.317 am Messpunkt "A" Universalvoltmeter im 30VDC-Messbereich anschliessen
- Die Spannung beträgt ohne Band +24VDC mit eingelegtem Band 0VDC. Bei nicht ganz transparentem Vorspannband oder einem dünnen und damit durchscheinenden Tonband kann der Wert abweichen und muss mit dem Trimpotentiometer R51 auf folgende Werte eingestellt werden.
- bei eingelegtem transparentem Vorspannband muss der Wert $\geq 7VDC$ sein
- bei eingelegtem Tonband oder einem nicht transparenten Vorspannband muss der Wert $\leq 5VDC$ sein

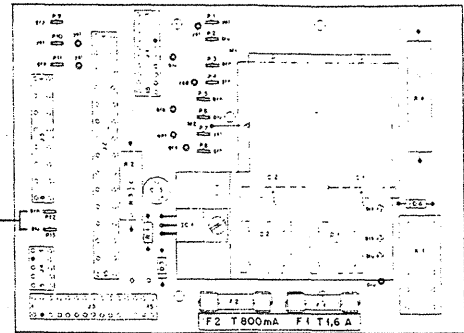


Fig. 6.3.-2

- Select high tape speed and start recorder in function PLAY.
- The readout on the counter must show 800 Hz. If necessary adjust R14.
- Switch recorder to low tape speed, readout must again show 800 Hz.
- At both tape speeds the indicated frequency must be within 1 Hz of the nominal frequency.

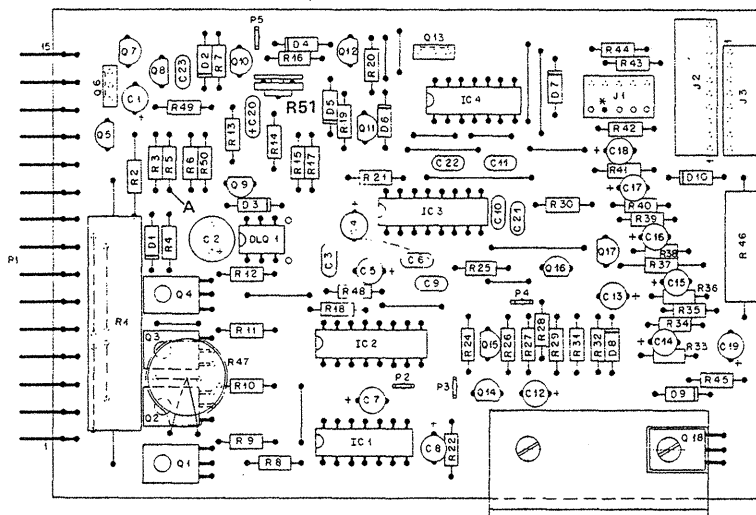
6.3.4. Checking the tape-end switch

- Remove from housing (see 3.1.)
- Connect a voltmeter, measuring range 30VDC, to test point "A" of the TAPE DRIVE CONTROL 1.177.317
- The voltage should be +24VDC without tape and 0VDC with tape present. This value can vary for not fully transparent leaders or thin and consequently translucent recording tape. Adjust with trimmer potentiometer R51 as follows:
 - With a transparent leader, the value should be $\geq 7VDC$
 - With a recording tape or a nontransparent leader the value should be $\leq 5VDC$

- Branchez un compteur entre les points TP1 et P5 (masse) de la plaquette de régulation de vitesse.
- Le compteur doit indiquer 800 Hz. Réglage par R14.
- Commutez l'appareil en petite vitesse. Le compteur doit également indiquer 800 Hz.
- La différence entre les deux vitesses ne doit pas dépasser 1 Hz.

6.3.4. Contrôle de l'arrêt de fin de bande

- Effectuer les déposes selon 3.1.
- Raccorder un voltmètre universel, calibre 30V cc., au point de mesure "A" du circuit TAPE DRIVE CONTROL 1.177.317
- En l'absence de bande, la tension est de 24V contre 0V lorsque la bande est mise en place. Ces valeurs peuvent varier si la bande amorce n'est pas très transparente ou si la bande est très fine, donc légèrement translucide. Le potentiomètre de réglage permet alors d'atteindre les valeurs suivantes:
 - la tension doit être $\geq 7V$ cc. en présence d'une bande amorce transparente
 - elle doit être $\leq 5V$ cc. lorsqu'une bande magnétique ou une bande amorce non transparente sont en place.



6. ELEKTRISCHE EINSTELLUNGEN UND MESSUNGEN**6.1. Messgeräte und Hilfsmittel**

- Entmagnetisierungs-Drossel
- NF-Millivoltmeter
- NF-Generator
- Klirrfaktor Messgerät
- Oszilloskop
- Digitalzähler (Counter)
- Tonhöschwankungsmesser

6.2. Kontrolle der Speisespannungen

Stabilisierte Speisespannungen 21 V:

Auf Audio-Verbindungs-Platine (P13, Fig. 6.2.-1)

Spannung messen: $21\text{ V} \pm 1\text{ V}$.

Unstabilisierte Speisespannung 24 V:

Gerät in STOP-Position.

Auf Laufwerksteuerung an Widerstand R34 (Fig. 6.2.-2)

Spannung messen: 24 V ... 26 V (bei Nenn-Netzspannung).

6.3. Laufwerk-Einstellungen**6.3.1. Kontrolle der Laufwerkfunktionen**

Gerät von Umspulen auf Wiedergabe (PLAY) tasten. Die Andruckrolle darf erst nach Stillstand des rechten Wickeltellers einfahren.

6.3.2. Tachokopf-Einstellung (Tonmotor)

Der Luftspalt zwischen Tachokopf und Rotor soll 0,3 ... 0,4 mm betragen. Die Einstellung ist in Ordnung, wenn an den Anschlüssen P12 (brn) und P13 (blu) der Stromversorgungs-Platine 35 ... 50 mV (bei 9,5 cm/s) Tachometer-Spannung gemessen wird (Fig. 6.3.-2).

6.3.3. Geschwindigkeits-Eichung

- Band einlegen.
- Taste VARY SPEED lösen.
- Gerät auf hoher Bandgeschwindigkeit auf Wiedergabe starten.

6. ELECTRICAL ADJUSTMENTS AND MEASUREMENTS**6.1. Testing equipment and accessories**

- Audio millivoltmeter
- Audio generator
- Distortion factor meter
- Oscilloscope
- Digital counter
- Wow and flutter meter
- Demagnetizer

6.2. Checking the supply voltages

Regulated 21 V supply:

measure voltage on audio interconnection board (P13, fig. 6.2.-1), it must read $21\text{ V} \pm 1\text{ V}$.

Unregulated 24 V supply:

Recorder in position STOP.

Measure voltage on tape transport control board at resistor R34 (fig. 6.2.-2), it must read 24 V ... 26 V (under nominal line voltage).

6.3. Tape transport adjustments**6.3.1. Checking the tape transport functions**

Start the recorder in the fast forward wind function. After a high winding speed is attained, select PLAY — the pinch roller arm must not become activated prior to the complete standstill of the right-hand reel.

6.3.2. Tacho head adjustment

The clearance between the tacho head and the rotor of the capstan motor should amount to 0,3 ... 0,4 mm/0.011 ... 0.02 inches. The head is correctly positioned when measuring a signal voltage of 35 ... 50 mV at 3 3/4 ips at the contacts P12 (brown) P13 (blue). (fig. 6.3.-2).

6.3.3. Tape speed calibration

- Load recorder with tape.
- Release push button VARY SPEED.
- Connect digital counter to TP1 and P5 (ground) on the speed control board.

6. REGLAGES ET MESURES ELECTRIQUES**6.1. Appareils de mesure et accessoires**

- Démagnétiseur
- Millivoltmètre BF
- Générateur BF
- Pont de distorsion
- Oscilloscope
- Compteur digital
- Scintillomètre

6.2. Contrôle des tensions d'alimentation

Tension d'alimentation stabilisée 21 V:

Sur le circuit d'interconnexion (P13, fig. 6.2.-1)

Tension à mesurer: $21\text{ V} \pm 1\text{ V}$.

Tension d'alimentation non stabilisée 24 V:

Appareil en position STOP.

Sur la commande du mécanisme à la résistance R34 (fig. 6.2.-2)

Tension à mesurer: 24 V ... 26 V (pour la tension secteur nominale).

6.3. Réglage du mécanisme**6.3.1. Contrôle des fonctions du mécanisme**

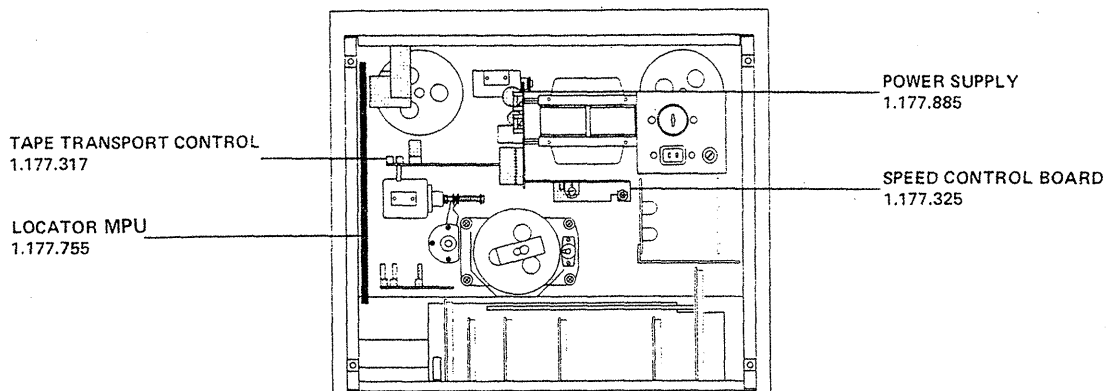
Passez du bobinage rapide en lecture (PLAY). Le galet presseur ne doit coller qu'après l'arrêt complet du plateau de bobine droit.

6.3.2. Réglage de la tête tachymétrique

La distance entre la tête tachymétrique et la cloche du moteur doit être de 0,3 ... 0,4 mm. Ce réglage est correct, lorsque l'on obtient (à 9,5 cm/s) entre les points P12 (brun) et P13 (bleu) du circuit d'alimentation, un signal tachymétrique de 35 ... 50 mV (fig. 6.3.-2).

6.3.3. Réglage de la vitesse

- Mettez une bande.
- Poussoir VARY SPEED relâché.
- Enclenchez l'appareil en lecture, en grande vitesse.



5.13. Drehzahlregelung 1.177.325

Das gesamte Regelungssystem besteht aus Tonmotor, Regelelektronik und Tachometer zur Drehzahlmessung.

In der Eingangsschaltung mit IC 2 wird die zur Bandgeschwindigkeit proportionale Frequenz in ein Rechtecksignal umgeformt. Die nachfolgende Frequenzteilerschaltung sorgt für ein exakt symmetrisches Signal. Die negativen Flanken des frequenzgeteilten Rechtecks triggern eine monostabile Kippstufe (Präzisions-Timer IC 1). Durch Unterdrückung jedes zweiten Impulses bei der grossen Geschwindigkeit muss der Motor doppelt so schnell drehen, um dieselbe Triggerfrequenz und damit dasselbe Signal am Ausgang von IC 1 zu erhalten. Die Impulsbreite wird für IC 1 durch einen hochstabilen RC-Serienschaltkreis bestimmt. Mit Potentiometer R14 kann die Sollgeschwindigkeit eingestellt werden. Ein Tiefpass bildet den DC-Mittelwert aus dem Rechtecksignal. Dieser wird im nachfolgenden DC-Verstärker, welcher ein Netzwerk für die Stabilität des Regelkreises enthält, weiterverarbeitet und steuert schliesslich als Gleichspannungswert den Regeltransistor Q2 an. Bei äusseren Drehzahländerungen variiert das Tastverhältnis des Signals bei TP1 und somit auch die Steuerspannung für den Regeltransistor. Durch das Anlegen einer externen Referenzspannung am Anschluss Y-REFEXT bei IC 1 kann die eingestellte Frequenz über einen grossen Bereich verändert werden (variable Bandgeschwindigkeit).

5.13. Speed Control 1.177.325

The speed control system consists of the capstan motor, the speed regulating circuit and the tachometer head to sense the motor speed.

The input circuit with IC 2 shapes the speed proportional frequency into a square wave and the following divider circuit delivers an exactly symmetrical signal. The trailing edges of the divided square wave are triggering a monostable flip-flop (precision timer IC 1). When selecting the higher tape speed every second pulse becomes suppressed, thus the motor has to run with double speed in order to produce the same trigger frequency and consequently the same signal at the output of IC 1. The pulse width for IC 1 is determined in a highly stable RC-series network. With R14 the motor speed can be adjusted to its nominal value. By passing the signal through a low pass network, an average DC-value is derived from the square wave. This DC potential is further processed in a DC amplifier, which contains a network to ensure the stability of the control loop. The DC signal then reaches the base of the regulating transistor Q2. A variation in motor speed will also vary the duty cycle at TP1 with a consequent change of the bias potential for the regulating transistor.

By feeding an external reference potential to the terminal Y-REFEXT at IC1, the adjusted frequency may be varied over a wide range (variable tape speed).

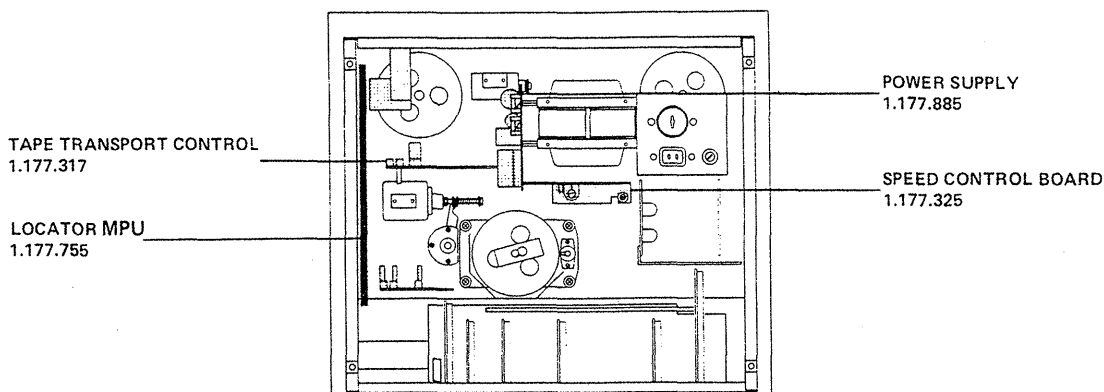
5.13. Régulation de vitesse 1.177.325

L'ensemble du système de régulation est composé du moteur de cabestan, de la tête tachymétrique et du circuit de régulation de vitesse.

L'étage d'entrée (IC 2) effectue la mise en forme (signal carré) du signal provenant de la tête tachymétrique. L'étage bistable suivant sert de diviseur et délivre des signaux parfaitement symétriques. Les flancs négatifs de ces signaux sont appliqués à un circuit monostable de précision (IC 1). La suppression d'une impulsion sur deux, oblige le moteur à tourner deux fois plus vite pour procurer un signal de même fréquence à l'entrée du circuit monostable. La largeur des impulsions de sortie de ce dernier est déterminée par un circuit RC de haute stabilité. Le potentiomètre R14 permet d'ajuster la vitesse nominale. Ces impulsions sont ensuite transmises à un circuit intégrateur. La valeur moyenne DC des signaux rectangulaires ainsi obtenue est appliquée à l'amplificateur DC, muni d'un réseau de contre-réaction stabilisant le circuit régulateur. La valeur de la tension continue à la sortie de cet amplificateur commande ensuite au travers de Q5 le transistor régulateur Q2. Une variation du nombre de tours du moteur engendre un changement du rapport d'impulsions au point TP1 d'où une variation de la tension de commande du transistor régulateur.

L'application d'une autre tension de référence au raccordement Y-REFEXT du circuit intégré IC 1, permet une plus grande variation de la vitesse nominale (variateur de vitesse).

Control commands Steuerbefehle Commandes	Solenoids Magnete Electro-aimants		Motor L				Motor R				audible Wiedergabe-Signal Signal de lecture		Record LED Aufnahme LED Track preselectec Spur vorgewählt Piste choisie	
	Pressure Andruck Pression I = No pressure kein Andruck 0 = Relâché	Brakes released Bremsen gelöst Freins relâchés I = Braking Bremsung 0 = Freinage									Reproduce signal Wiedergabe-Signal Signal de lecture		On en encallenché I = off aus détallenché 0 =	
① POWER On Ein Enclenché	0	0				X	X					0	0	
② PLAY (START)	1	1		X							X	1	0	
③ PLAY	1	1		X						X		1	0	
④ PLAY + REC	1	1		X						X		1	1	
⑤ STOP	0	0				X	X					0	0	
⑥ FORW >>	0	1			X						X	0	0	
⑦ REW <<	0	1	X						X			0	0	
⑧ PLAY + REC (Braking phase) (Bremsphase) (Phase de freinage)	0	0				X	X					0	0	
⑨ PLAY + REC (START)	1	1		X							X	1	1	
⑩ PLAY + REC	1	1		X						X		1	1	
⑪ PAUSE (Button depressed, locked) (Taste gedrückt, eingerastet) (Touche pressée, verrouillée)	0	0				X	X					0	1	
⑫ PAUSE (Button free) (Taste freigegeben) → ⑨ (Touche relâchée)	1	1		X						X		1	1	
⑬ → (depressed) (gedrückt) (pressée)	0	1	X						X			0	0	
⑭ → (free) (freigegeben) (relâchée)	0	0				X	X					0	0	
⑮ → (Braking ended) (Bremsung beendet) (Freinage terminée)	1	1		X						X		1	0	
⑯ Cutter slide button, locked Cutter-Schiebetaste, eingerastet Poussoir de montage, verrouillé	0	0				X	X					1	0	
⑰ ⑮ + FORW (depressed) (gedrückt) (pressée)	0	1			X						X	1	0	
⑱ ⑮ + REW (depressed) (gedrückt) (pressée)	0	1	X						X			1	0	
⑲ ⑮ + PLAY (depressed) (gedrückt) (pressée)	1	1		X						X		1	0	
⑳ Tape end (Transparent leader) Bandende (Transparent Band) Fin de bande (Amorce transparente)	0	0				X	X					0	0	
Only for Remote Control Nur an Fernbedienung Pour commande à distance														



Die gleiche Schaltung beinhaltet auch die Steuerung für den Papierkorbbetrieb. Durch Betätigen der Taste TAPE DUMP (11) wird der Stromkreis des Aufwickelmotors unterbrochen. In dieser Betriebsart sind die Signale für Umspulen und Aufnahme blockiert.

The same circuit includes the control for the dump editing mode. When the key TAPE DUMP (11) is depressed, the circuit of the take-up motor is opened. In this mode, the signals for fast winding and recording are disabled.

Ce même circuit contient également la commande en fonction dévidement de ruban. En appuyant sur la touche TAPE DUMP (11), l'alimentation du moteur de la bobine réceptrice est interrompue. Dans cette fonction, les signaux commandant le bobinage et l'enregistrement sont bloqués.

5.12 Laufwerksteuerung 1.177.317

Die Laufwerksteuerung ist auf einer steckbaren Platine untergebracht und teilt sich auf in einen Logik-Teil und eine Motor-Schaltelektronik.

Für die Steuerlogik werden integrierte Schaltungen und ein PROM verwendet (IC1...IC5), welche die Steuerbefehle vom Tastensatz im Gerät oder von der Fernbedienung abspeichert und zusammen mit den Informationen des Band-Endschalters und des Bandlauf-Sensors, die erforderlichen Ausgangssignale für die Audio-Elektronik und die Steuerung der Magnete und Motoren freigibt. In der untenstehenden Tabelle sind die Signale für die vorkommenden Funktionszustände zusammengestellt. Die beiden Wickelmotoren werden für die Betriebszustände STOP, PLAY, FORW und REW an unterschiedliche Spannungen gelegt. Die gesamte Umschaltung erfolgt kontaktlos, vollelektronisch durch Triac-Schalter. R47 dient als thermischer Schutz des Netztransformators.

Der Band-Endschalter ist als Infrarot-Lichtschranke aufgebaut, welche vor dem Löschkopf auf den Kopfträger montiert ist. Um von den Umspulfunktionen direkt und verzögerungsfrei in die Wiedergabefunktion gehen zu können, wird eine Information benötigt, ob das Band bereits zum Stillstand gekommen ist. Diese Information wird vom Bandzählwerk geliefert.

Für die Stromversorgung benötigt die komplette Steuerung eine einzige Spannung von +24 V ungestabilisiert. Die 5 V-Speisung des Logikteils wird auf der Platine selbst erzeugt. +24 V ungestabilisiert.

5.12 Tape transport control 1.177.317

The tape transport control circuits are contained on one plug-in circuit board. It divides itself into the logic section and the motor switching electronics.

The control logic is implemented by integrated circuits and a PROM (IC1...IC5) which stores the control commands from the local command keys or the remote control. In conjunction with the signals from the end-of-tape sensor and the tape motion sensor, this PROM issues the necessary output signals for the audio electronics and enables the control of the magnets and motors. The table below shows the signals for the various operating conditions. For the functions STOP, PLAY, FORW and REW the two spooling motors are being operated under different voltage conditions. The change-over to the different voltages is achieved electronically with Triac switches, thus there are no mechanically operated switches involved. R47 serves as thermal overload protection for the power supply.

The end-of-tape switch consists of an infrared light gate on the headblock immediately to the left of the erase head. In order to be able to switch from either of the fast winding speeds directly to PLAY, information is required which indicates that the tape has reached standstill. This information is obtained from the tape motion sensor which monitors the movement of the right-hand spooling motor.

Current for the tape transport control circuits is obtained from the unregulated +24 V supply. The required 5 V for the logic circuits are formed and stabilized directly on the tape transport control circuit board.

5.12 Commande du mécanisme 1.177.317

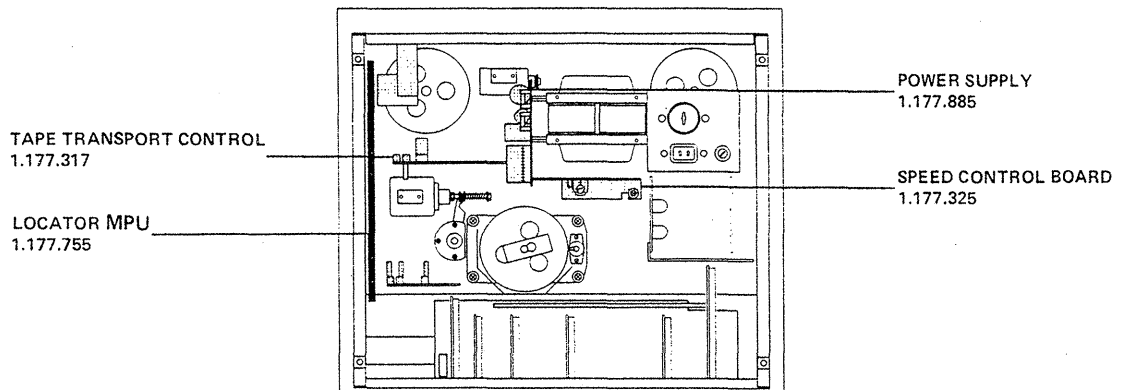
Cette plaquette enfichable comporte le circuit complet de commande du mécanisme qui se divise en deux parties: la partie logique et la partie commande des moteurs.

La logique de commande est composée de circuits intégrés et d'un PROM (IC1...IC5) qui mémorise les ordres du clavier ou de la commande à distance et suivant les informations délivrées par la barrière infrarouge et le détecteur de mouvement, libèrent les signaux de sortie de l'électronique Audio et les commandes des électro-aimants et moteurs. La table ci-dessous indique les différents états de fonction. La commutation des moteurs de bobinage est entièrement électronique et s'effectue au moyen de quatre Triacs commutant les moteurs à des tensions différentes suivant les fonctions: STOP, PLAY, FORW et REW. R47 sert de protection thermique du transformateur d'alimentation.

L'arrêt automatique de fin de bande travaille au moyen d'une barrière à rayons infrarouges, montée sur le support des têtes, en amont de la tête d'effacement.

Le passage direct de la commande de bobinage à la commande de lecture ou d'enregistrement, est obtenu grâce à la logique. Celle-ci garde en mémoire la dernière fonction et l'active que lorsque le détecteur de mouvement annonce l'arrêt complet du moteur droit, c'est à dire de la bande.

L'alimentation ne nécessite qu'une tension continue de 24 V. La tension +5 V des circuits de logique est tirée du +24 V, et est stabilisée sur la plaquette de commande du mécanisme.



5.10. Stromversorgung 1.177.785

Die Platine ist an der Netztransformator-Einheit montiert und enthält alle Betriebsspannungen für die Steuer- und die Audioelektronik sowie für die Motoren und deren Verschaltung mit den Phasenschieber-Kondensatoren.

Die beiden sekundären Niederspannungskreise (+24 V unreguliert, +21 V stabilisiert) sind einzeln abgesichert. Die Stabilisierung für die Audio-Baugruppen sowie die Tonmotor-Regelung erfolgt mit einem Spannungsregler-IC, dessen Sollwert um max. 5% abweichen kann. Die Schaltung ist kurzschlussfest, geschützt gegen Übertemperatur und nicht abgleichbar.

Das Relais K1 wird durch den Schalter REEL SIZE angesteuert. Damit wird die Spannung der Wickelmotoren im PLAY-Betrieb umgeschaltet. Widerstand R4 (parallel zu R1 auf 1.177.317) erhöht den Bandzug für grössere Spulendurchmesser. Für gutes Startverhalten wird der Aufwickelmotor zuerst mit voller Speisespannung versorgt. Nach kurzer Zeit wird diese reduziert. Diese Zeit ist vom verwendeten Spulendurchmesser und der gewählten Geschwindigkeit abhängig. Durch Umschalten der Widerstände R2...R5 werden die Zeitkonstanten gebildet.

5.11. FADER START LOGIC 1.177.893/894

Dieser Print stellt die Verbindung Tastensatz (im Gerät) und Fernbedienung zur Laufwerksteuerung her. Über den Stecker FADER START kann eine Spannung von 24V AC oder DC auf den Brückengleichrichter D4 geführt werden. Diese Spannung bewirkt, dass über Q6 D15 der Befehl S-PLAY ausgegeben wird. Wird diese Steuerspannung abgeschaltet, so entsteht am Kollektor von Q7 ein Spannungssprung, welcher über C4 differenziert wird. Der so gewonnene Puls bewirkt den S-STOP Befehl. Im FADER START-Betrieb wird die +24V-Speisung des lokalen Tastensatzes blockiert, dadurch ist dieser wirkungslos.

5.10. Power Supply 1.177.785

The power supply board is mounted on the mains transformer. It delivers the required operating voltages for the control circuits and audio electronics, as well as for the motors and their connection with the phase shift capacitors. The two secondary low voltage circuits (+24 V unregulated, +21 V regulated) are individually fused. The supply voltage for the audio circuits is stabilized with an integrated regulating circuit, which keeps the voltage to within 5% of nominal. That circuit is not adjustable, but it is self-protecting against overheating and accidental short-circuits.

Relay K1 is controlled by the switch REEL SIZE. This switch changes over the spooling motor voltage for PLAY mode. Resistor R4 (parallel to R1 on 1.177.317) increases the tape tension for larger reel sizes. To improve the starting performance, the take-up motor is initially driven by full supply voltage. This voltage is reduced after a short period of time. This time depends on the reel size and the selected tape speed. The time constants are formed with resistors R2...R5.

5.11. FADER START LOGIC 1.177.893/894

This circuit board establishes the connection between the (local) command keys and the remote control with the tape transport control. A voltage of 24V AC or DC can be applied via FADER START connector to bridge rectifier D4. This voltage causes the command S-PLAY to be issued via Q6, D15. When this control voltage is switched off, a voltage jump occurs at the collector of Q7. This jump is differentiated via C4. The resulting pulse causes an S-STOP command. In FADER START mode, the +24V supply voltage of the local key command panel is blocked. The keys, therefore, become inoperative.

5.10. Alimentation 1.177.785

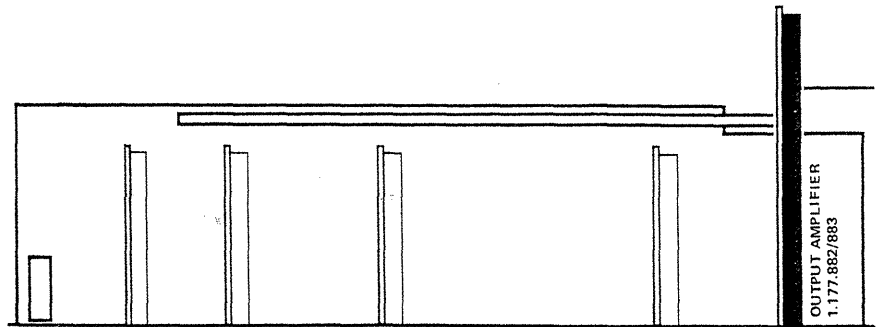
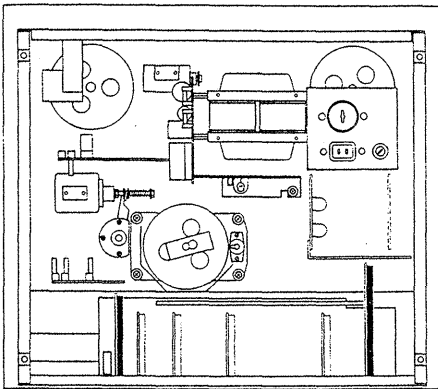
Ce circuit, monté sur le transformateur d'alimentation, délivre les tensions d'alimentation pour l'électronique de commande et audio. Les moteurs sont également alimentés par ce circuit qui comporte en outre les connexions pour les condensateurs de déphasage.

Les deux secondaires basse tensions (+24 V non stabilisé et +21 V stabilisé) sont protégés chacun par un fusible. La tension stabilisée du groupe audio et du circuit de régulation de vitesse est issue d'un stabilisateur de tension intégré non réglable. Celui-ci est protégé contre les court-circuits et les excès de température; sa tolérance est de 5% maximum.

Le relais K1 est commandé par le commutateur REEL SIZE. Cela permet d'adapter la tension des moteurs de bobinage en fonction PLAY (et REC). La résistance R4 (parallèle à R1 sur 1.177.317) augmente le couple pour les bobines à gros diamètre. Pour obtenir des bonnes caractéristiques de démarrage, le moteur de la bobine réceptrice est alimenté un instant à pleine tension. Cette durée est dépendante de la vitesse de défilement et du diamètre des bobines choisies. La constante de temps est déterminée par la commutation des résistances R2...R5.

5.11. Logique FADER START 1.177.893/894

Ce circuit assure la liaison entre le clavier de commande (de l'appareil) et la commande à distance du mécanisme. Par la prise FADER START, une tension de 24V AC ou DC peut être envoyée au redresseur en pont D4. Cette tension active par Q6 et D15 l'ordre S-PLAY. A la disparition de cette tension, le saut de tension provoqué au collecteur Q7 et différencié par C4 donne une impulsion de S-STOP. En fonction FADER START, l'alimentation +24V du clavier de commande est coupée, rendant ce dernier inopérant.



RES-Signal geht kurz nachdem die Speisespannung 4,75V erreicht hat auf H-Pegel. Der μP kann auch manuell initialisiert werden, indem der Anschluss 2 kurzzeitig auf Masse gelegt wird. Die Opto-Koppler DLQ1 und 2 sind für die galvanische Trennung beim Betrieb mit einer externen seriellen Bussteuerung.

Ein geschalteter DC-DC-Wandler mit Strom-Begrenzung erzeugt die stabilisierte 5V-Speisespannung aus der unstabilierten 25V-Spannung.

reached 4.75V. The microprocessor can also be initialized manually by briefly connecting terminal 2 to ground. The optocouplers DLQ1 and 2 ensure electric insulation in conjunction with an external serial bus control. A switched DC/DC converter with power limiter generates the stabilized 5V supply from the unstabalized 25V.

RES-Signal de RESET correct lors de la mise sous tension de l'appareil. Le signal RES se met au niveau logique "H" peu après que la tension d'alimentation ait atteint 4,75V. Le μP peut aussi être initialisé manuellement en court-circuitant brièvement sa broche 2 avec la masse. Les optocoupleurs DLQ1 et DLQ2 assurent l'isolément galvanique lors du fonctionnement avec une commande de bus sérielle externe.

Un convertisseur de courant continu à commutation, doté d'une limitation de courant, produit la tension stabilisée de 5V à partir de la tension non stabilisée de 25V.

5.9. Locator Command 1.177.750

Die sechs Siebensegmentanzeigen werden von IC1 und IC2 (LED Decoder/Driver) angesteuert. Die Ansteuerung mit den Signalen Data, Clock und Enable erfolgt von der Locator MPU Karte.

Befehlstasten S1 bis S8 sind in einer 3x3 matrix geschaltet und werden über den Ein/Ausgabe Baustein IC6 der Locator MPU Karte abgefragt.

5.9. Locator Command 1.177.750

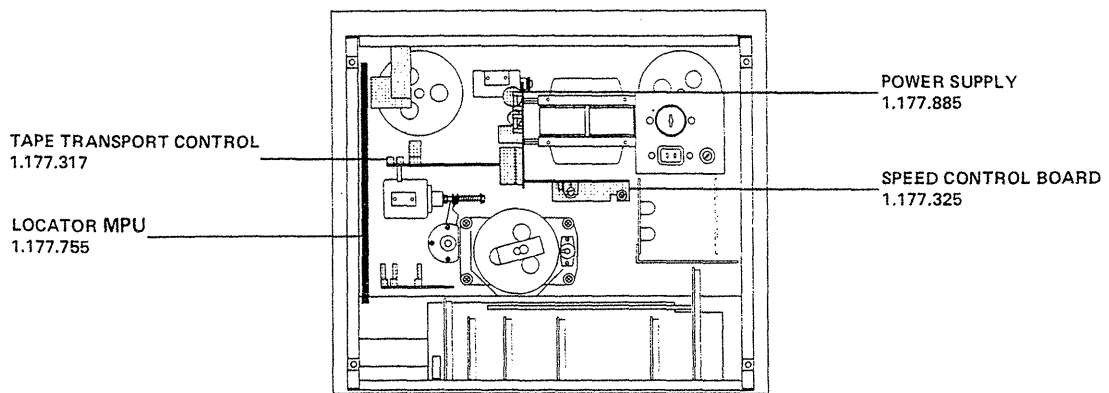
The six 7-segment displays are controlled by IC1, IC2, and the LED decoder/driver. The control signals Data, Clock, and Enable are generated on the locator MPU board.

The command keys S1 through S8 are wired in a 3x3 matrix and scanned by the input/output chip IC6 of the locator MPU board.

5.9. Commande du localisateur 1.177.750

Les six afficheurs à sept segments sont commandés par les circuits "LED Decoder/Driver" IC1 et IC2. La commande est réalisée par les signaux Data, Clock et Enable qui proviennent de la carte Locator MPU.

Les touches de commande S1 à S8 sont rapportées sur une matrice 3x3. La carte Locator MPU examine cette matrice par l'intermédiaire du circuit d'interface IC6.



Die Kopfhörerverstärker sind mit IC3 aufgebaut. Das Signal wird über die Schutzwiderstände R63 und R64 ausgekoppelt. Dadurch werden die Ausgänge kurzschlussfest. Das Eichen der VU-Meter erfolgt mit den Potentiometern R67 (R68) an den entsprechenden Verstärkerstufen (Einstellpotentiometer R69/R70 siehe Abschnitt 6.4.6). IC4 dient als Komparator zur Anzeige der Uebersteuerungs-LED. Die Steuerschaltung mit Q5...Q8 und Relais K1 dient zur verzögerten Durchschaltung der NF-Ausgänge beim Einschalten des Gerätes und damit zur Unterdrückung von Schaltknacksen in der Verstärkerstufe. Beim Ausschalten werden die NF-Ausgänge unmittelbar abgetrennt.

The headphones amplifiers are implemented with IC3. The signal is picked up via protective resistors R63 and R64 which render the outputs short-circuit proof. The VU-meters are calibrated with the aid of potentiometers R67 (R68) located on the corresponding amplifier stages (trimmer potentiometers R69/R70, see section 6.4.6.). IC4 serves as comparator for controlling the peak-level LED. The control circuit comprising Q5...Q8 and relay, K1 delays the through connection of the AF outputs when the recorder is switched on. This eliminates switch clicks in the amplifier stage. When the recorder is switched off, the AF outputs are disconnected immediately.

Les amplificateurs casques sont constitués par IC3. La sortie s'effectue par les résistances de protection R63 et R64, assurant l'étage final contre les courts-circuits. Le tarage de VU-mètres se fait par les R67 (R68) des étages correspondants (voir paragraphe 6.4.6, potentiomètres de réglage R69/R70) L'IC4 sert de comparateur pour les indicateurs de surmodulation LED. Le circuit de commande avec Q5...Q8 et le relais K1 sert à retarder la commutation des sorties BF à l'enclenchement de l'appareil. Au déclenchement, les sorties BF sont instantanément coupées.

5.8. Locator MPU 1.177.755

Die Locator MPU (Mikro Prozessor Unit) ist eine Ergänzung zur Laufwerkssteuerung des Gerätes. Der Mikroprozessor (IC7) wertet folgende Eingangssignale aus: Laufwerkstasten (über D3 bis D6), Locator-Tastatur (IC6), Bandzähler (Y-FORW, Y-REV), Bandenschalter (Y-TPEND), Geschwindigkeitsversion (JS2, JS3) und die Fernsteuer-Adresse (JS1). Die Anzeigen-Decodier- und -Treiberbausteine (IC1 und 2 der Locator Command) werden direkt, die Laufwerksfunktionen über Ein/Ausgabe-Baustein IC6, IC5 und Q1 bis Q7 (Pegelumsetzer) vom Mikroprozessor angesteuert.

Die Signale des Bandzählers an Q13 und Q14 sind je nach Laufrichtung des Bandes in positiver oder negativer Richtung um ca. 90° zueinander verschoben. Die Q-Ausgänge des IC2 liefern dann kurze positive FORW- oder REV-Impulse, die durch das Signal Y-CLR vom μ P zurückgesetzt werden. Aus den Bandzählensignalen wird das Bandbewegungssignal Y-MOCCLK erzeugt, dadurch entfällt der Bandbewegungssensor 1.177.891.

IC10 dient als Adressen-Zwischenspeicher für den Programmspeicher IC9. Mit IC4 wird ein korrekter RESET beim Einschalten erzeugt. Das

5.8. Locator MPU 1.177.755

The locator MPU (microprocessor unit) is a supplementary assembly for the tape transport control of the recorder. The microprocessor (IC7) processes the following input signals: tape transport keys (via D3 through D6), locator keyboard (IC6), tape counter (Y-FORW, Y-REV), tape end sensor (Y-TPEND), speed version (JS2, JS3), and remote-control address (JS1). The display decoding and driver chips (IC1 and 2 of the locator command board) are controlled directly by the microprocessor through the input/output device IC6, IC5 and Q1 through Q7 (level converter).

The signals of the tape counter on Q13 and Q14 are offset negatively or positively by approximately 90°, depending on the tape travel direction. The Q-outputs of IC2 deliver short positive FORW or REV pulses that are reset by the signal Y-CLR from the microprocessor. Because the tape move signal Y-MOCCLK is generated from the tape counter signals, the tape move sensor 1.177.891 is no longer required.

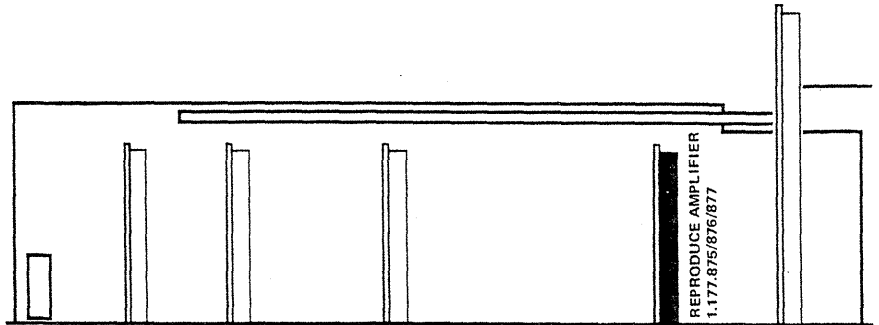
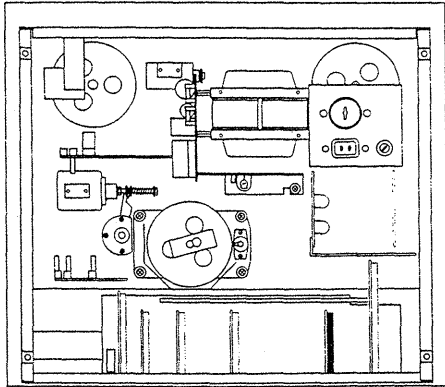
IC10 is an address buffer for the program memory IC9. IC4 generates a correct RESET when power is switched on. The RES signal goes to HIGH level shortly after the supply voltage has

5.8. Localisateur MPU 1.177.555

Le localisateur MPU (Micro Processor Unit) constitue une extension de la commande du mécanisme de l'appareil. Le microprocesseur (IC7) traite les signaux d'entrée suivants: touches de commande du mécanisme (de D3 à D6), clavier du localisateur (IC6), compteur de bande (Y-FORW, Y-REV), commutateur de fin de bande (Y-TPEND), catégories de vitesse de défilement (JS2, JS3) et l'adresse pour la télécommande (JS1). Le microprocesseur commande directement les circuits de décodage et d'attaque des segments d'affichage (IC1 et IC2) et contrôle les fonctions du mécanisme par l'intermédiaire des circuits d'interface IC5, IC6 et Q1 à Q7.

Les signaux du compteur de bande, sur Q13 et Q14, sont en quadrature positive ou négative de $\sim 90^\circ$ selon la direction du défilement de la bande. Les sorties Q du IC2 délivrent alors de courtes impulsions positives FORW ou REV, lesquelles peuvent être annulées par le signal Y-CLR du μ P. Le signal de mouvement de la bande Y-MOCCLK est élaboré à partir des signaux du compteur de bande, ce qui rend le capteur de mouvement 1.177.891 inutile.

IC10 sert de registre tampon d'adresses pour la mémoire de programme IC9. IC4 délivre un si-



5.6. Wiedergabe-Verstärker 1.177.875/876/877

1.177.875 ist für NAB, 3 3/4"; 7 1/2"
1.177.876 ist für NAB, 7 1/2"; 15"
1.177.877 ist für IEC, 7 1/2"; 15"

Die Platine enthält die Wiedergabe-Entzerrer und die Linienverstärker für beide Kanäle. Der Wiedergabekopf ist an die Eingangsstufe DC-gekoppelt. Der Arbeitspunkt von Q7 (Q3) wird mittels DC-Gegenkopplung stabilisiert, welche von Q8 (Q4) über den Kopf auf die Basis von Q7 (Q2) führt (Strom <math>< 1\text{ A}</math>, daher keine Gefahr der Kopf-Magnetisierung). C13 (C12) dient der NF-Abblockung und der Frequenzgang-Absenkung unterhalb 20 Hz. Die Tiefen-Entzerrung bei NAB von 3180 s gilt für beide Geschwindigkeiten R92, C47 (R54, C30). Für die Umschaltung der Normentzerrung wird R59 (R5) kurzgeschlossen.

Nach einem HF-Sperrfilter gelangt das Signal zu einer geschwindigkeitsgetrennten Höhen- und Pegelkorrekturschaltung. Die Geschwindigkeitsumschaltung erfolgt mit den FET's Q5, 6, 9 und 10. Q1 und 2 bilden eine Stummschaltung, die über die Laufwerksteuerung aktiviert wird. Das Signal gelangt nun zum INPUT/REPRO-Schalter, bevor es mit IC 1 bzw. 2 nochmals verstärkt wird (Monitorausgang).

5.7. Ausgangsverstärker 1.177.882/883

Dieser Print enthält die Ausgangsverstärker (mit Symmetrier-Trafos), die Kopfhörerverstärker, die Anzeigeverstärker für die VU-Meter, die Schaltstufe für die Uebersteuerungsanzeige sowie die Stummschaltung gegen Ein- und Ausschaltknackse.

Der Ausgangsverstärker besteht aus einer zweistufigen Schaltung. Durch Einstellen der Verstärkung der ersten Stufe, kann der gewünschte Leitungspegel am Ausgang eingestellt werden. Das Signal wird in der zweiten Stufe über IC1/IC2 spannungsverstärkt und anschließend über Q1...Q4 stromverstärkt. Die Auskopplung erfolgt über den Leitungstrafo und über den Relais-Seriekontakt.

5.6. Playback Amplifier 1.177.875/876/877

1.177.875 is for NAB, 3 3/4"; 7 1/2"
1.177.876 is for NAB, 7 1/2"; 15"
1.177.877 is for IEC, 7 1/2"; 15"

The PC board contains the playback EQ and the line amplifier for both channels. The playback head is connected to the preamplifier stage via an O.C. coupling. The working point of Q7 (Q3) is stabilized by a DC-feedback leading from Q8 (Q4) over the head to the base of Q7 (Q2) (current <math>< 1\mu\text{A}</math>, thus avoiding the risk to magnetise the head). C13 (C12) serves as a high-pass filter, rolling-off frequencies below 20 Hz. The low frequency EQ of 3180 μs is active for both speed, R92, C47 (R54, C30). To achieve norm switching R59 (R5) are short-circuited.

Following an RF trap-filter the signal arrives on separate treble and level correction circuits for each speed. Speed switching is activated by Q5, 6, 9 and 10 FET's. Q1 and Q2 form a muting circuit. They are activated by the tape transport controls. Finally, the signal reaches the INPUT/REPRO switch before being amplified again by IC 1/2 (monitor output).

5.7. Output Amplifier 1.177.882/883

This circuit board contains the output amplifiers (with line balance transformer), the headphones amplifier, the VU-meter amplifiers, the switching stage for the peak-level indicator, and the suppression of on/off-switching clicks.

The output amplifier consists of a two-stage circuit. The desired line level at the output can be obtained by adjusting the gain in the first stage. In the second stage, the signal voltage is amplified via IC1/IC2 and the signal current is amplified via Q1...Q4. The signal is picked up via line transformer and series contact of the relay.

5.6. Amplificateur de lecture 1.177.875/876/877

1.177.875 est pour la correction NAB, 3 3/4"; 7 1/2"
1.177.876 est pour la correction NAB, 7 1/2"; 15"
1.177.877 est pour la correction IEC, 7 1/2"; 15"

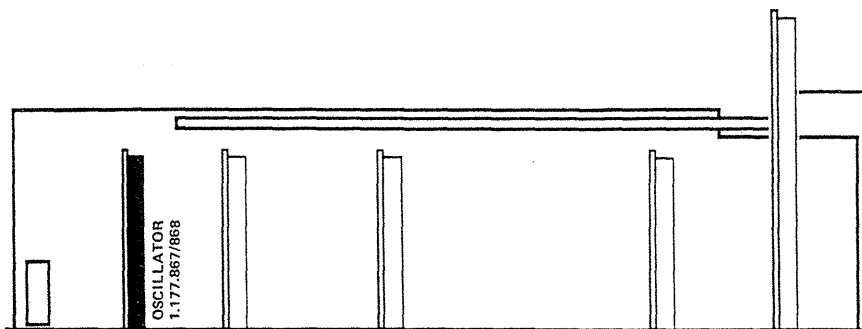
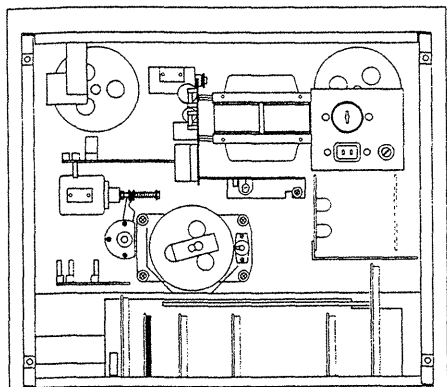
La carte comporte la correction de lecture et l'amplification ligne pour les deux canaux. La tête de lecture est directement couplée à l'étage d'entrée. Le point de travail de Q7 (Q3) est stabilisé par la contre-réaction DC, de Q8 (Q4) par la tête de lecture à la base de Q7 (Q2). Le courant est inférieur à $1\mu\text{A}$, évitant toute magnétisation de la tête. C13 (C12) sert comme filtre passe-haut en éliminant les fréquences inférieures à 20 Hz. La correction basse de 3180 μs est active pour les deux vitesses R92, C47 (R54, C30). Pour la commutation de la correction normalisée, la résistance R59 (R5) est court-circuitée.

Après une trappe HF, le signal arrive à des circuits correcteurs d'aigu et de niveau séparés pour chaque vitesse. La commutation de vitesse s'effectue par FET's Q5, Q6, Q9 et Q10. Q1 et Q2 forment un circuit de silence activé par la commande du mécanisme. Le signal arrive ensuite sur le commutateur INPUT/REPRO, avant d'être amplifié à nouveau par IC1/2 (sortie monitor).

5.7. Amplificateur de sortie 1.177.882/883

Cette plaquette comporte l'amplificateur de sortie (avec transformateur symétriseur), l'amplificateur casque, l'amplificateur VU-mètre, le circuit à seuil de l'indicateur de surmodulation ainsi que le circuit de silence éliminant les signaux parasites d'enclenchement et de déclenchement.

L'amplificateur de sortie est à deux étages. Le taux d'amplification variable du premier étage permet d'ajuster le niveau ligne de sortie. Dans le deuxième étage, le signal est amplifié en tension par IC1/IC2, puis en courant par Q1...Q4.



5.5. Oszillator 1.177.867/868

Ein LC-Oszillator (T1, C8) liefert die Nennfrequenz von 150 kHz, welche mit einem Regelstift einjustiert wird. Das Einschalten des Oszillators hängt einerseits vom Laufwerk-Befehl Y-REC ab (PLAY und REC Taste angewählt) sowie andererseits von der vorgewählten Spur (Signale S-REC-L, S-REC-R) oder dem Steuerbefehl aus der Dia-Steuerung S-OSC.

Das weiche Anschwingen erfolgt mit der Verschaltung von Q5. Vormagnetisierungs- als auch Löschstrom werden über Relais geschaltet. Zur Einstellung des Vormagnetisierungsstromes dienen die Potentiometer R11/15/8/10 für beide Kanäle und beide Bandgeschwindigkeiten getrennt. Die HF- wird mit der NFF-Modulation auf der Audio-Verbindungs-Platine gemischt.

Die Anzeige für den aktivierten Kanal erfolgt mit LEDs, welche mit dem betreffenden Aufnahme-Relais seriegelgeschaltet ist.

5.5. Oscillator 1.177.867/868

The nominal frequency of 150 kHz is generated in an LC-oscillator (T1, C8). Fine adjustment to the nominal frequency is carried out with a tuning slug. The oscillator becomes activated in the presence of the signal Y-REC (push-buttons PLAY and REC pressed) and with one or both tracks preselected (signals S-REC-L, S-REC-R). The signal S-OSC from the slide synchronizing unit will also activate the oscillator.

The soft activation of the oscillator is controlled via Q5 and bias as well as the erase current are switched via relays. Bias adjustment is done with the R11/15/8/10 potentiometers separately for both channels and both speeds. R.F. and A.F. signals mixing takes place on the audio mother board.

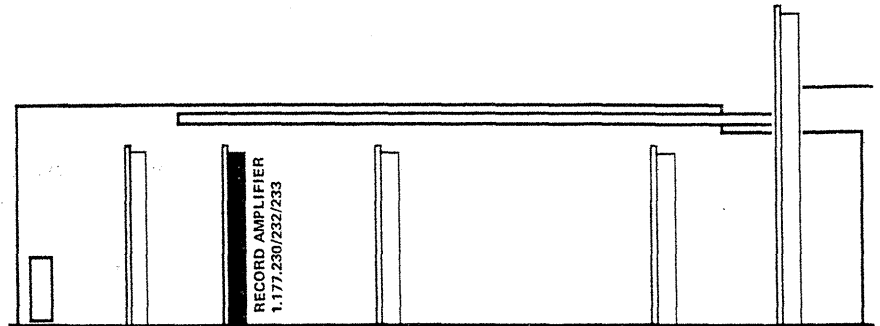
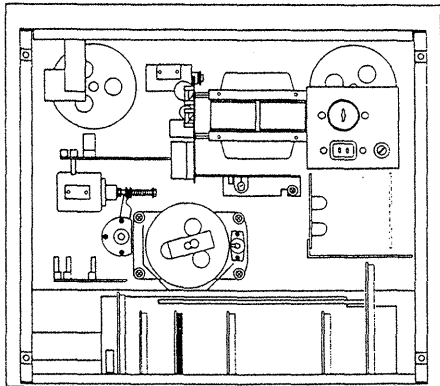
The control lamps, LED's, are activated by relays, i.e. placed in serie.

5.5. Oscillateur 1.177.867/868

Un oscillateur LC (T1, C8) délivre une fréquence de 150 kHz, ajustée à l'aide du noyau de T1. L'enclenchement de l'oscillateur dépend du circuit de commande du mécanisme Y-REC (touches PLAY et REC) ainsi que des présélecteurs d'enregistrement (signaux (S-REC-L, S-REC-R) ou de la commande du synchronisateur de diapositives S-OSC.

Le démarrage progressif s'effectue par Q5. La prémagnétisation ainsi que la tension d'effacement sont commutées par relais. Le réglage de la prémagnétisation se détermine par les potentiomètres R11/15/8/10 pour les deux canaux et les deux vitesses séparément. La tension HF et la modulation BF se mélange sur le circuit de connexion audio.

La LED de contrôle est activée par relais.



5.3. Line Input 1.177.515/521

Der Eingangsverstärker enthält zwei symmetrische Eingänge mit Trafo. Ihnen folgt eine in der Verstärkung regelbare Stufe zur Anpassung an verschiedene Leitungspegel. Mit dem CMOS Schalter IC3 kann zwischen kalibriertem und unkalibriertem Eingangspegel umgeschaltet werden. Im unkalibrierten Betrieb kann mit den Eingangsreglern die Empfindlichkeit um max. 10 dB erhöht werden. Nach dem CAL/UNCAL Schalter erfolgt das für einkanalige Aufnahmen mögliche Zusammenmischen der Eingangssignale. Die Querverbindung erfolgt über FET's, welche über die Aufnahmevorwahltasten aktiviert werden.

5.3. Line Input 1.177.515/521

The input amplifier has two transformer balanced inputs followed by an adjustable amplifier stage to adapt the different line levels. With the CMOS IC3 switch, it is possible to commute between the calibrated and uncalibrated levels. In UNCAL mode it is possible to increase the sensitivity by 10 dB with the input potentiometers. Following the CAL/UNCAL network the mixing of both inputs takes place only when recording on one channel is selected. The mixing occurs via FET's activated by the safe/ready selectors.

5.3. Line Input 1.177.515/521

L'amplificateur d'entrée comporte deux entrées symétriques avec transformateur. L'étage amplificateur réglable qui suit permet l'adaptation à des niveaux différents. Le commutateur CMOS IC3 détermine le niveau d'entrée calibré ou non. En mode non calibré, la sensibilité peut être augmentée de 10 dB maximum. Après le circuit CAL/UNCAL, se trouve le circuit mélangeur FET's qui, activé par les présélecteurs d'enregistrement, permet la somme des entrées pour un enregistrement sur un canal.

5.4. Aufnahme-Verstärker 1.177.230/232/233

Dieser Print enthält eine Stummschaltung, Aufnahme-Entzerrung und die Treiberstufe für beide Kanäle. Die Stummschaltung schliesst den Signalpfad so lange kurz, bis die Relaiskontakte sicher geschlossen sind. Erst danach wird der Signalpfad freigegeben, dies erfolgt "Knacks-frei". Das Signal wird vom Sammelschienenpegel von ca. 80 mV (für Vollauststeuerung) in den Stufen Q1 und Q2 (Q5 und Q6) verstärkt und gemäss der Einstellung an R12, resp. R7 (R27 resp. R22) entzerrt. Die Tiefen-Entzerrung ist mit C7 (C20) und den Seriewiderständen R12 + R7 (R27 + R22) auf 3180 μ s festgelegt (nur NAB-Version). Mit R13 (R28) wird der Aufnahmezweig so gepegelt, dass bei Vor/Hinterband-Umschaltung kein Pegelsprung auftritt.

Im Ermittlerzweig der Treiberstufe Q3, Q4 (Q7, Q8) liegt als Stromgegenkopplung ein 38 kHz MPX-Filter zur Vermeidung von Interferenzen mit der Vormagnetisierungsfrequenz. Das HF-Sperrfilter L1, C16 (L3, C27) ist auf die Oszillatorfrequenz abgleichbar und schützt die Treiberstufe.

5.4. Recording amplifier 1.177.230/232/233

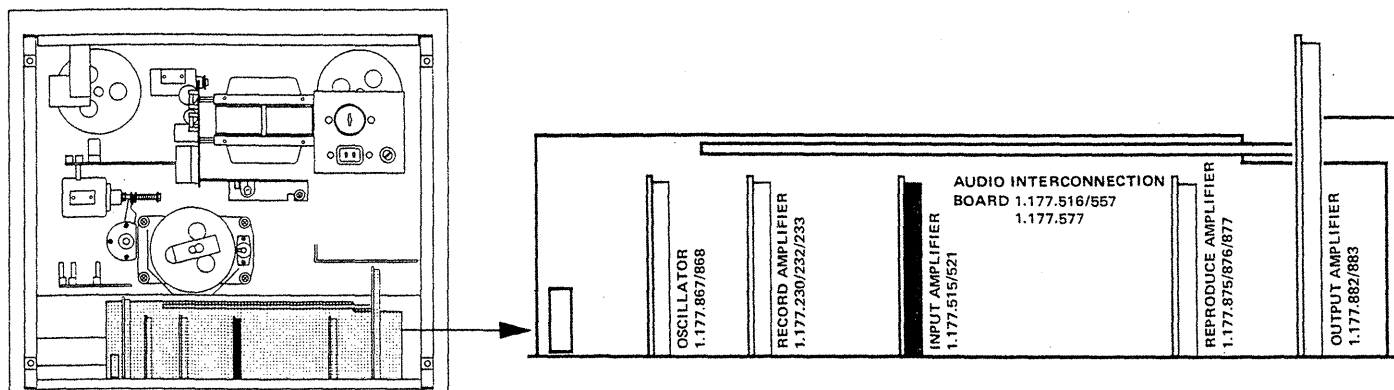
This circuit board contains the muting circuit, record equalization, and driver stage for both channels. The muting short-circuits the signal path until the relay contacts are safely closed. This signal path is subsequently enabled without "switch clicks". From the bus level of approx. 80mV (for peak level recording) the signal is amplified in Q1 and Q2 (Q5 and Q6 respectively) and equalized, depending on the setting of R12 and R7 (R27 and R22 respectively). The low frequency equalization is fixed to the 3180 μ sec characteristic with C7 (C20) and the series resistors R12 and R7 (R27 and R22) (only NAB-versions). The levels of the recording chain are then adjusted with R13 (R28) to obtain equal volume when switching from before to after tape monitoring.

A 38 kHz MPX-filter in the emitter leg of the driver stages Q3, Q4, (Q7, Q8) provides current feed back in order to avoid beats with the bias frequency. The RF-filter L1, C16 (L3, C27) is tunable to the oscillator frequency for protection of the driver stages.

5.4. Amplificateur d'enregistrement 1.177.230/232/233

Cette plaquette contient un circuit de silence, un correcteur d'enregistrement et un étage driver pour les deux canaux. Le circuit de silence coupe le signal juste le temps que nécessite le relais pour la fermeture de ses contacts. Ceci pour éviter tout claquement dans la ligne. Venant de la ligne omnibus, le signal de 80mV environ (volume max.) est amplifié par les transistors Q1 et Q2 (Q5 et Q6) et corrigé selon la position des réglages R12, resp. R17 (R27, resp. R22). La correction des graves est fixée à 3180 μ s à l'aide de C7 (C20) et des résistances série R12 + R7 (R27 + R22) (seulement versions NAB). Les réglages R13 (R28) permettent d'adapter le niveau de façon à ne pas avoir de saut de niveau en commutation avant/après bande.

Un circuit accordé sur 38 kHz se trouve dans l'émetteur des étages driver Q3, Q4 (Q7, Q8). Il provoque une contre-réaction de courant pour les restes de sous-porteuse FM qui pourraient provoquer des interférences avec la fréquence de prémagnétisation. L'étage driver est protégé par un filtre de suppression L1, C16 (L3, C27) accordé sur la fréquence de l'oscillateur.



5. ELEKTRONIK

5.1. Allgemeines

Auf den Audio-Verbindungsplatinen (siehe 5.2.) sind folgende Platinen steckbar:

Eingangsverstärker	1.177.515/521
Aufnahmeverstärker	1.177.230/232/233
Oszillator	1.177.867/868
Wiedergabeverstärker	1.177.875/876/877
Ausgangsverstärker	1.177.882/883

Fest montiert und mit steckbaren Anschlüssen versehen ist die Stromversorgungs-Platine 1.177.885. Auf dieser Platine sind steckbar:

Laufwerksteuerung	1.177.317
mit Bandbewegungssensor	1.177.891
Drehzahlregelung	1.177.325

5.2. Audio Verbindungsprint 1.177.516 etc.

Alle Steckkarten der Audio-Elektronik werden mittels Steckerleisten auf der Audio-Verbindungs-Platine miteinander verschaltet. Ausserdem trägt diese Platine alle Goldbilder der Drehschalter für die Betriebsarten-Wahl sowie diejenigen der Kippschalter für Spur-Vorwahl und Vor/Hinterband-Umschaltung. Bei der Geschwindigkeitswahl werden die Entzerrung, die Vormagnetisierung und die Tonmotor-Regelung gleichzeitig über eine Mehrkontakt-Schaltleiste umgeschaltet. Sämtliche Litzenverbindungen und Kabelbäume sind steckbar auf die Audio-Verbindungsplatine geführt.

5. ELECTRONICS

5.1. General

The following PC-boards are plugged into the audio interconnection boards (see 5.2.):

Input Amplifier	1.177.515/521
Record Amplifier	1.177.230/232/233
Oscillator	1.177.867/868
Playback Amplifier	1.177.875/876/877
Line Amplifier	1.177.882/883

Permanently installed but equipped with plug-in connections is the power supply 1.177.885. The following boards are plugged into the power supply:

Tape transport control	1.177.317
with tape motion sensor	1.177.891
Speed control board	1.177.325

5.2. Audio interconnection board 1.177.516 etc.

The audio interconnection board carries the edge connectors and their associated wiring for all plug-in boards of the audio electronics. In addition, that board carries also the gold plated contact areas of the rotary switch for stereo/mono mode selection, as well as those of the toggle switches for record preselection and before/after tape monitoring. When changing tape speed, equalization, bias and motor speed regulation are switched simultaneously by means of a multi contact switching bar. Push-on terminals are used for all wire connections, which lead to the audio interconnection board.

5. ELECTRONIQUE

5.1. Généralités

Sur les circuits d'interconnexion audio s'en fichent les plaquettes suivantes (voir 5.2.):

Amplificateur d'entrée	1.177.515/521
Amplificateur d'enregistrement	1.177.230/232/233
Oscillateur	1.177.867/868
Amplificateur de lecture	1.177.875/876/877
Amplificateur de sortie	1.177.882/883

Le circuit d'alimentation 1.177.885 muni de prises de raccordement est fixe. Sur ce circuit s'enfichent les plaquettes suivantes:

la commande du mécanisme	1.177.317
avec le détecteur de mouvement	1.177.891
le régulateur de vitesse	1.177.325

5.2. Circuit d'interconnexion audio 1.177.516 etc.

Toutes les plaquettes de l'électronique audio sont enfichables et reliées entre elles par le circuit d'interconnexion audio. Ce circuit comporte également les contacts dorés du commutateur rotatif du mode de reproduction ainsi que ceux des commutateurs à bascule des préselecteurs d'enregistrement et de l'écoute avant/après bande. Suivant la vitesse choisie, une barre de contacts effectue les commutations de correction, de prémagnétisation et de régulation de vitesse du moteur de cabestan. Tous les fils et câbles de raccordement sont enfichables et reliés par le circuit d'interconnexion audio.

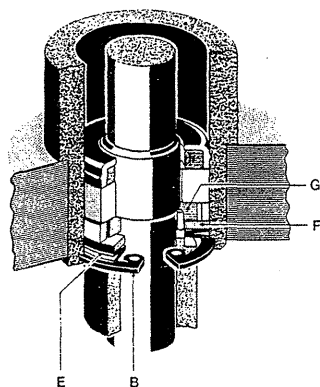


Fig. 4.4.-2

Wird der Seegerring B herausgenommen, kann das Kunststoffstützlager ausgebaut werden (Fig. 4.4.-2).

Dabei sind der Reihe nach die Tellerfeder E, die Anlaufscheibe F und das Kamm-lager G zu entfernen.

Beim Umgang mit Tonwelle und Lager ist besondere Vorsicht geboten, damit diese nicht beschädigt werden (Rundlaufgenauigkeit 1/1000 mm) und keine Staubteile in die präzisen Lager gelangen.

— To remove the thrust bearing from its housing, remove spring clip B (fig. 4.4.-2). Take out cup washer E, low friction washer F and thrust bearing G.

Extreme care should be exercised when handling the capstan shaft and bearing in order to avoid any chance of damaging these delicate parts. Make sure to prevent any dust particles from entering the precision bearings (Run-out accuracy 0.001 mm / 0.4 mil).

4.5. Wickelmotoren Lager auswechseln (Fig. 4.5.-1)

— Wickelmotor ausbauen (siehe Kap. 3.7. und 3.8.).

— Seegerring B geschliffen und Seegerring C mit Seegerringzange öffnen (nicht mehr öffnen als zum Abziehen erforderlich ist). Rotor mit Welle nach unten ausfahren.

Die Höhenjustierung der Bremsrolle (Spulenteller) erfolgt mit den Distanzscheiben D.

Beim Zusammenbau ist darauf zu achten, dass diese Distanzscheiben wieder auf die gleiche Wickelmotorachse aufgelegt werden.

Der entfernte Seegerring B soll *nicht* mehr eingebaut werden, sondern an dessen Stelle einen neuen Seegerring einsetzen. Die Kugellager der Wickelmotoren dürfen nur gegen Originallager ausgetauscht werden.

4.5. Spooling motors, replacement of bearing (fig. 4.5.-1)

— Remove spooling motor from recorder (see sections 3.7. and 3.8.).

— Remove retaining rings B and C (do not open in excess of what is required to remove clip). Pull rotor complete with shaft towards the recorder's back.

Correct height adjustment of the turntable is achieved with spacers D.

Make sure to use the same number and thickness of spacers when reassembling the motor. *Do not* reinsert the old retaining ring B, use a new ring instead. If the exchange of a ball bearing becomes necessary, use original replacement parts only.

4.6. Schmierem

Alle Lager sind für ihre Lebensdauer geschmiert und bedürfen normalerweise keiner Wartung.

Beim Austausch einer Tonwelle ist der obere Filzring des Sinter-Lagers durch einige Tropfen *Isoflex PDP 65* zu schmieren.

4.6. Lubrication

All bearings are lubricated for the length of their useful life and they do not require any servicing.

When replacing the capstan shaft apply a few drops of *Isoflex PDP 65* to the felt ring on the top of the upper bronze bearing.

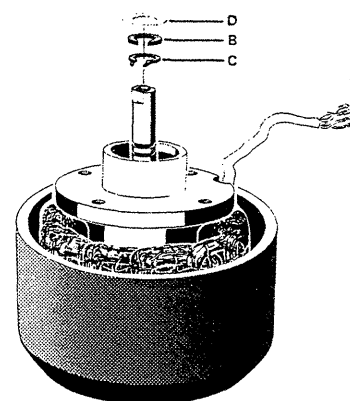


Fig. 4.5.-1

— Après avoir enlevé le circlips B, il est possible de retirer le palier d'appui (fig. 4.2.-2). Pour cela ôtez dans l'ordre les rondelles ressort E, la rondelle d'entraînement F, ainsi que le palier-peigne G.

Pour toute intervention, prenez garde de ne pas endommager l'axe de cabestan et les coussinets (excentricité inférieure à 1/1000 mm), et veillez à ne pas introduire d'impuretés dans ces coussinets de précision.

4.5. Echange des coussinets du moteur de bobinage (fig. 4.5.-1)

— Déposez le moteur de bobinage (voir chapitre 3.7. et 3.8.).

— Ouvrez le circlips poli B et C avec une pince à circlips (ne pas ouvrir plus que nécessaire pour le retirer). Otez le rotor et l'axe par le bas. Le réglage de la hauteur du tambour de frein (plateau de bobine) s'effectue à l'aide d'entretoises D.

Au remontage veillez à ce que les entretoises soient remises sur leur moteur respectif. Le circlips B retiré au démontage, ne doit *plus être utilisé*. Il doit être remplacé par un circlips neuf. Les roulements à billes des moteurs de bobinage ne doivent être remplacés que par des roulements d'origine.

4.6. Lubrification

Tous les roulements sont lubrifiés à vie et ne nécessitent normalement aucun service lors du changement de l'axe de cabestan; imprégnez la rondelle en feutre du coussinet de quelques gouttes d'*Isoflex PDP 65*.

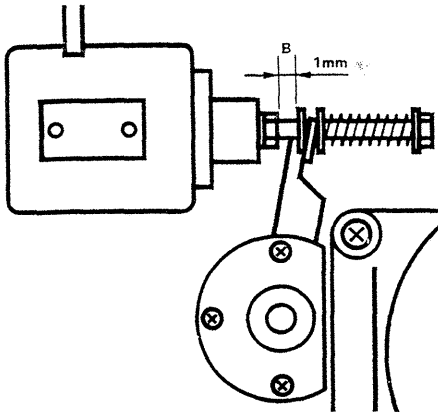


Fig. 4.3.-2

4.3.2. Einstellung des Andruckaggregates

- Gerät auf PLAY schalten. Wenn kein Band eingelegt ist, Lichtöffnung am optischen Endschalter abdecken.
- Andruckmagnet soweit nach rechts verschieben, dass zwischen Mitnehmer und Andruckarm ein Abstand B von 1mm entsteht
- Andruckmagnet arretieren.
- Kontrollieren, ob der Anker des Andruckmagneten am Anschlag steht.
- Andruckarm leicht von der Capstan-Welle wegziehen, dabei darf sich der Anker nicht bewegen.
- Befestigungsschrauben des Andruckmagneten mit einem Lacktropfen sichern.
- Andruckkraft kontrollieren und wenn nötig mit Schraube C justieren. (Fig. 4.3.-2).

4.4. Tonmotor (Fig. 4.4.-1)

Der Tonmotor enthält eine durchgehende Tonwelle, welche mit zwei Sinter-Bronze-Lagern geführt ist. Die Tonwelle ist durch das untere Lager zusätzlich in axialer Richtung fixiert. Das Axial-Lager ist ein Kunststoff-Stützlager. Die Lager sind für die Lebensdauer geschmiert und bedürfen normalerweise keiner Wartung.

Die Tonwelle und das Kunststoffstützlager können ausgewechselt werden.

Bei defekten Sinter-Lagern ist der Tonmotor der nächsten Werksvertretung einzuschicken. Ausbau siehe Kap. 3.10.

4.4.1. Ausbau Ton-Welle, Kunststoff-Stützlager

Zum Ausbau von Ton-Welle und Kunststoff-Stützlager braucht der Tonmotor nicht ausgebaut zu werden.

Ton-Wellensicherung A vorsichtig seitlich abziehen. Hohe mechanische Vorspannung (Fig. 4.4.-1). Rotor des Tonmotors nach unten ausfahren.

- Die Tonwelle kann nach oben herausgezogen werden, wenn vorher der Kopfträger ausgebaut wird (siehe Kap. 3.6.).

4.3.2. Adjustment of the pinch roller mechanism

- Press button PLAY. If no tape is laced on the recorder, block the light port of the end of the tape switch by suitable means.
- Shift pinch roller solenoid to the right until a clearance of 1mm is reached at point B.
- Lock pinch roller solenoid in this position.
- Check to make sure that the plunger has fully bottomed. The plunger must not move when pulling the pinch roller arm slightly away from the capstan shaft.
- Secure the solenoid's mounting screws with a drop of sealing lacquer.
- Measure pinch roller force and adjust with screw C if necessary. (fig. 4.3.-2)

4.4. Capstan Motor (fig. 4.4.-1)

The capstan motor's shaft extends through the whole length of the motor. Inside the motor, the shaft is supported by 2 sintered bronze bearings. To prevent axial play of the shaft, the lower bearing contains a thrust washer combined with a plastic coated low friction washer. The lubrication of both bearings lasts for their useful life, thus they need not to be serviced. Capstan shaft and thrust bearing can be exchanged easily. If the sintered bronze bearings become worn or otherwise defective, the whole capstan motor has to be replaced. For disassembly instructions refer to section 3.10.

4.4.1. Removal of capstan shaft and thrust bearing

For this operation the capstan motor does not need to be removed from the recorder.

- Use special angled pliers to pull shaft lock A towards one side (fig. 4.4.-1). Proceed with caution, because the shaft lock is under high spring tension and will tend to fly off with force. Remove rotor by pulling it off the shaft.
- After removal of the headblock assembly (see section 3.6.), the capstan shaft may be pulled towards the top and out of the motor.

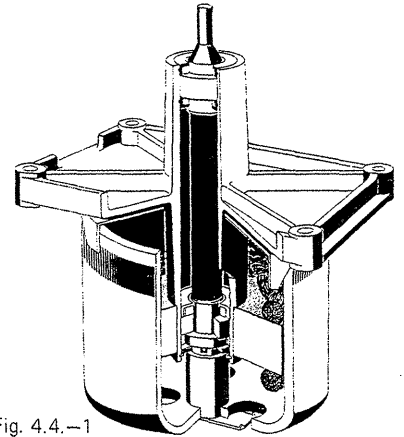


Fig. 4.4.-1

4.3.2. Réglage de l'agrégat du galet presseur

- Pressez sur la touche PLAY. S'il n'y a pas de bande, obturez l'arrêt automatique de fin de bande.
- Déplacez l'électro-aimant sur la droite pour obtenir un espace B de 1 mm
- Serrez les vis de fixation.
- Contrôlez que le noyau plongeur soit contre la butée.
- Eloignez le galet presseur de l'axe du cabestan, le noyau plongeur ne doit pas bouger.
- Scellez les vis de l'électro-aimant avec une laque.
- Contrôlez la force d'appui et ajustez-la si nécessaire avec la vis C. (fig. 4.3.-2)

4.4. Moteur de cabestan (fig. 4.4.-1)

Le moteur de cabestan est équipé d'un axe traversant, guidé par deux coussinets. Il est de plus verrouillé en position axiale. Le coussinet axial est un palier d'appui synthétique. Les coussinets sont lubrifiés à vie et ne nécessitent normalement aucun service.

L'axe de cabestan ainsi que le palier d'appui synthétique peuvent être simplement changés. Si un des coussinets devait être endommagé, faites parvenir le moteur de cabestan au prochain point de service. Voir démontage chapitre 3.10.

4.4.1. Dépose de l'axe de cabestan et du palier d'appui synthétique

Pour cela il n'est pas nécessaire de démonter le moteur de cabestan.

- Retirez prudemment l'arrêt de sécurité A par le côté; attention à la détente (fig. 4.4.-1). Retirez le rotor du moteur de cabestan par le bas.
- L'axe de cabestan peut être retiré par le haut, pour cela il faut préalablement ôter le support des têtes (voir chapitre 3.6.).

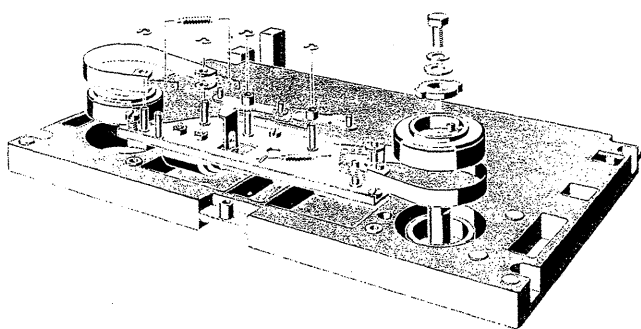


Fig. 4.2.-2

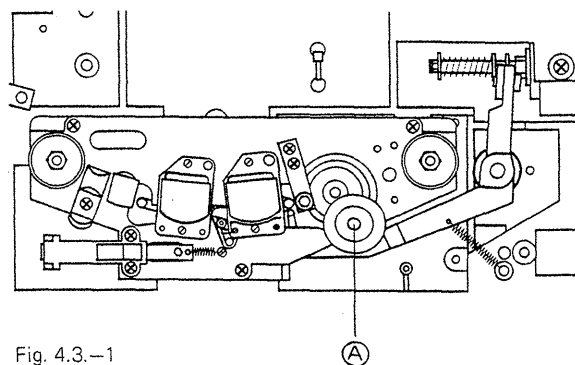


Fig. 4.3.-1

4.2.2. Einstellen der Bremsen (Fig. 4.2.-2)

Verschmutzte Bremsbeläge können mit Chloroform gereinigt werden. Es ist darauf zu achten, dass die Bremsbeläge anschliessend nicht berührt werden.

Bremsbänder dürfen keine Knickstellen aufweisen und sollen auf ihrer ganzen Breite auf dem Bremsbelag aufliegen.

Nach dem Auswechseln von Bremsbändern oder Bremsrollen werden die Bremsmechanik und der Hub des Bremsmagneten neu eingestellt.

- Bremse von Hand lösen (Bremsanker einschieben).
- Kontrollieren, ob beide Bremssysteme durch die Abhebebolzen gleichzeitig gelüftet werden. Ist dies nicht der Fall, die 3 Befestigungsschrauben des Bremschassis lösen und dieses soweit verschieben, dass die Bremsbänder gleichzeitig abheben.
- Falls erforderlich, einen Bremsstellhebel leicht biegen. Zum Einstellen des Bremsmagneten muss dieser erregt sein.
- Spulenteller abschrauben.
- Taste PLAY betätigen und ständig gedrückt lassen.
- Befestigung des Bremsmagneten lösen und diesen so verschieben bis keine Schleifgeräusche an den Bremsstromeln hörbar sind.
- Den Bremsmagneten arretieren.

4.3. Andruckrolle

Der Andruckarm wird elektromagnetisch betätigt. Der Andruck ist durch eine einstellbare Federspannung definiert.

4.3.1. Messen der Andruckkraft

- Taste PLAY drücken. Wenn kein Band eingelegt ist, die Taste PLAY dauernd drücken.
- An der Andruckrollen-Achse (oder an einem angebrachten Bolzen) einen Nylonfaden einhängen und mit einer Federwaage in Richtung A (Fig. 4.3.-1) ziehen, bis die Andruckrolle von der Tonwelle abhebt.

Die Federwaage muss $13\text{ N} \pm 1\text{ N}$ ($1,3\text{ kp} \pm 0,1\text{ kp}$) anzeigen.

4.2.2. Adjustment of braking torque (fig. 4.2.-2)

Soiled brake linings may be cleaned with chloroform. Take great care not to touch the cleaned linings with your fingers.

The brake bands must be free of kinks and they must contact the brake lining over their whole width. After a brake drum or brake band has been replaced, the stroke of the brake lift solenoid has to be readjusted.

- Lift the brakes manually by pushing the solenoids plunger fully home.
- Observe whether or not both brakes do get lifted simultaneously. If this is not the case, loosen the 3 mounting screws of the brake chassis and shift the brake chassis to ensure a simultaneous lifting of the brakes.
- If necessary, bend one of the brake adjustment levers slightly. Positioning of the brake release solenoid requires the solenoid to be energized.
- Remove reel supports (turntables).
- Press button PLAY and keep it depressed.
- Loosen the mounting screws of the brake release solenoid and shift its position until the drums rotate absolutely free and without the brake bands touching the linings.
- Lock brake release solenoid in this position.

4.3. Pinch roller

The pinch roller arm is electromagnetically operated. An adjustable spring defines the pinch roller pressure.

4.3.1. Measuring the pinch roller force

- Press button PLAY. If no tape is laced on the recorder, keep button PLAY depressed.
- Attach a nylon thread to the pinch roller shaft and attach a dial gauge to the other end of the thread. Pull dial gauge in the direction A (fig. 4.3.-1) until the pinch roller lifts off the capstan shaft. The dial gauge must read $13\text{ N} \pm 1\text{ N}$ ($1.3\text{ kp} \pm 0.1\text{ kp}$) ($2\text{ lb } 14\text{ oz} \pm 4\text{ oz approx.}$).

4.2.2. Réglage des freins (fig. 4.2.-2)

Les garnitures de freins peuvent être nettoyées avec du trichloréthylène. Il est bon de rappeler que les garnitures de freins ne doivent ensuite plus être touchées.

Les bandes de frein ne doivent être en aucun cas pliées et doivent recouvrir la garniture sur toute sa surface. Après le changement des bandes ou des tambours de freins il est nécessaire de reconstrôler l'excursion du noyau de l'électro-aimant des freins.

- Débloquent les freins manuellement (faire plonger le noyau de l'électro-aimant).
- Contrôlez que les bandes de freins décollent simultanément. Si cela n'est pas le cas desserrez les trois vis du chassis des freins et déplacez-le jusqu'à l'obtention de la symétrie.
- S'il n'est pas possible de faire autrement, pliez légèrement le levier à l'extrémité de la bande de frein.
- Pour le régler, l'électro-aimant des freins doit être excité.
- Dévissez les plateaux de bobine.
- Pressez la touche PLAY et la maintenir dans cet état.
- Desserrez les fixations de l'électro-aimant des freins puis le faire glisser de gauche à droite de façon à éliminer les frottements de la bande de frein sur le tambour.
- Fixez l'électro-aimant dans cette position.

4.3. Galet presseur

Le bras est actionné par un électro-aimant. La force d'appui est déterminée par la tension réglable d'un ressort.

4.3.1. Mesure de la force d'appui

- Pressez la touche PLAY. S'il n'y a pas de bande, maintenez la touche pressée.
- Par l'intermédiaire d'un fil de nylon fixé d'une part sur l'axe du galet presseur (éventuellement dévissé le couvercle de l'axe) et d'autre part à un dynamomètre. Tirez le bras dans la direction A (fig. 4.3.-1) jusqu'à ce que le galet presseur décolle de l'axe de cabestan. Le dynamomètre doit alors indiquer $13\text{ N} \pm 1\text{ N}$ ($1,3\text{ kp} \pm 0,1\text{ kp}$).

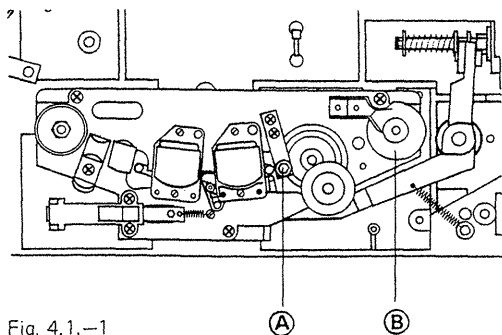


Fig. 4.1.-1

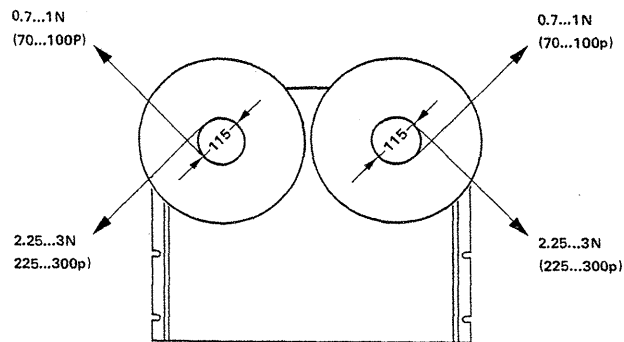


Fig. 4.2.-1

4. MECHANIK

Bedingt durch das stabile Druckguss-Chassis und das 3-Motoren-Laufwerk ergibt sich ein weitgehend wartungsfreier mechanischer Teil. Die Einstellungen und Messungen beschränken sich auf die wenigen beweglichen Teile.

4.1. Kopfträger

4.1.1. Bandführungen

- Bandführungen reinigen, Bandführung (A) *nicht verstellen*. Wenn nötig, kann die Bandführung mit einem Kreuzschlitz-Schraubenzieher vom Kopfträger gelöst werden (2 Schrauben, Fig. 4.1.-1).
- Tacho-Rolle (B) reinigen

4.1.2. Tonkopfbefestigungen

Die Tonköpfe sind auf das Kopfträgerchassis geschraubt. Bei abgenommenem Kopfträgerchassis können die Tonköpfe mit der Zentrumschraube gelöst werden.

Wird der Aufnahme- oder Wiedergabekopf ausgewechselt, so ist die Maschine vorzugsweise an die nächste Werksvertretung zur Neujustierung einzusenden.

4.2. Bremsen (STOP)

Die Bremsen sind wirksam, wenn der Bremsmagnet stromlos ist.

- STOP-Taste drücken.

4.2.1. Messung der Bremsmomente (Fig. 4.2.-1)

- Leerspule auflegen, verriegeln. Die Messwerte beziehen sich auf einen Kerndurchmesser der Spule von 115 mm.
- Einige Windungen einer feinen Schnur auf die leere Bandspule aufwickeln und zur Messung der Bremsmomente langsam in der entsprechenden Richtung mit der Federwaage abziehen.

Werden die oben erwähnten Werte nicht erreicht, so ist das Bremssystem zu kontrollieren.

Bremsbeläge und Bremsbänder müssen absolut sauber und fettfrei sein.

4. TAPE TRANSPORT MECHANISM

Thanks to the rigid diecast chassis and the 3-motor transport mechanism, the mechanics of the recorder do not require frequent servicing. Adjustments and measurements are confined to a few moving parts.

4.1. Headblock

4.1.1. Tape guides

- Clean tape guides, take care *not to alter* the adjustment of guide (A). The tape guide may be removed from the headblock after undoing its Phillips head mounting screws (2 screws, fig. 4.1.-1).
- Clean the tachometer roller (B)

4.1.2. Head mounting

The magnetic heads are attached to the headblock chassis with one central mounting screw per head. To remove a magnetic head, the headblock chassis has to be separated from the recorder.

To have the recording and reproducing heads replaced, it is advisable to send the recorder to the nearest REVOX service facility to ensure their correct realignment.

4.2. Brakes (STOP)

The brakes are applied as long as the brake solenoid is not energized.

- Press button STOP.

4.2.1. Braking torque (fig. 4.2.-1)

- Load supply and take-up side with an empty reel and lock reel in place. The torque values stated below refer to a hub diameter of 115 mm (4.5 inches).
- Wind several turns of a fine string onto the empty hub and with a dial gauge attached to the end of the string pull slowly in the required direction to unwind the string.

If the above indicated values cannot be obtained, inspect the brake system.

Brake linings and brake bands must be absolutely clean and free from any traces of oil or grease.

4. MECANIQUE

Grâce à un châssis stable en fonte injectée et à un mécanisme équipé de 3 moteurs, la partie mécanique de l'appareil ne nécessite pratiquement aucun service. Les quelques réglages existants ne concernent que les pièces en mouvement.

4.1. Support des têtes

4.1.1. Guides de bande

Nettoyez les guides de bande, *ne pas dérégler* le guide de bande (A), qui si nécessaire ne sera démonté qu'avec son support, à l'aide d'un tournevis à croix (2 vis, fig. 4.1.-1).

- Nettoyez la roue tachymétrique (B)

4.1.2. Fixation des têtes

Les têtes sont vissées sur le support des têtes. Les têtes peuvent être retirées en dévissant la vis centrale après avoir ôté le support des têtes.

S'il est nécessaire de changer les têtes d'enregistrement ou de lecture il est conseillé de faire parvenir votre appareil au service après vente le plus proche afin d'y procéder aux réglages nécessaires.

4.2. Freins (STOP)

Les freins agissent lorsque l'électro-aimant des freins n'est pas alimenté.

- Presser la touche STOP.

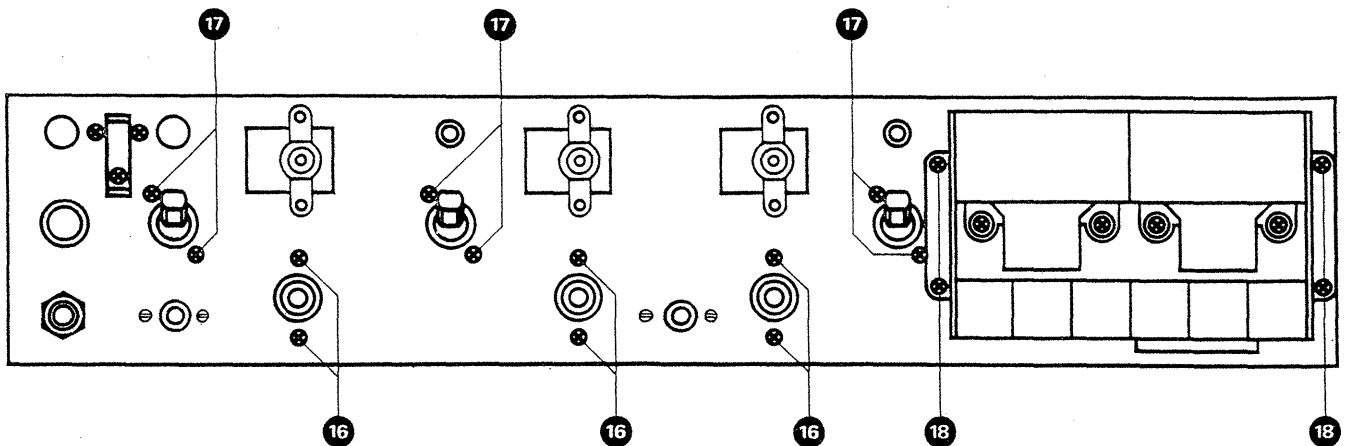
4.2.1. Mesure du moment de freinage (fig. 4.2.-1)

- Placez et verrouillez une bobine vide. Les valeurs de mesure se rapportent à un diamètre de noyau de bobine de 115 mm.

Enroulez quelques tours d'une fine ficelle sur la bobine vide, puis afin de mesurer le moment de freinage, tirez dans le sens désiré à l'aide du dynamomètre.

Au cas où vous n'obtiendriez pas les valeurs ci-dessus il serait alors nécessaire de contrôler attentivement le système des freins.

Les garnitures et les bandes de freins doivent être absolument propres et libérées de toute matière grasse.



22. Print FADER START LOGIC ausbauen

- Gehäuse entfernen.
- Laufwerkabdeckung ausbauen.
- Die zum Print führenden Steckverbindungen lösen.
- Je 2 Befestigungsschrauben der Schalter REEL SIZE und TAPE DUMP lösen (Befestigungsblech nicht ausbauen).
- FADER START LOGIC-Print nach hinten aus dem Gerät herausziehen.

3.22. Disassembly of FADER START LOGIC PCB

- Remove housing.
- Remove tape transport covers.
- Detach all connectors leading to the circuit board.
- Loosen 2 mounting screws on each of the switches REEL SIZE and TAPE DUMP (do not detach mounting plate).
- Withdraw FADER START LOGIC PCB towards rear of unit.

3.22. Dépose du circuit FADER START LOGIC

- Enlever le boîtier.
- Enlever la plaque de recouvrement du mécanisme.
- Enlever les prises de raccordement du circuit.
- Dévisser les 2 vis de fixation des commutateurs REEL SIZE et TAPE DUMP (ne pas enlever la tôle de fixation).
- Sortir le circuit FADER START LOGIC par l'arrière de l'appareil.

3.23. Locator Command-Einheit ausbauen

- Laufwerksabdeckung ausbauen (siehe 3.2.).
- vier Schrauben lösen und Locator Command nach hinten herausnehmen

3.23. Removal of Locator command unit,

- Remove tape transport cover (see 3.2.).
- Unfasten four screws and remove locator command by sliding it out toward the rear

3.23. Dépose de l'unité Locator Command,

- Déposer le recouvrement du mécanisme (voir 3.2.).
- Dévisser quatre vis et extraire le Locator Command par l'arrière

3.24. Locator MPU Print ausbauen

- Gehäuse ausbauen (siehe 3.1.)
- fünf Steckverbinder abziehen
- vier Schrauben lösen

3.24. Removal of Board Locator MPU,

- Remove housing (see 3.1.)
- Disconnect five plug connectors.
- Unfasten four screws

3.24. Dépose du circuit Locator MPU,

- Effectuer les déposes du boîtier (voir 3.1.)
- Débrancher 5 connecteurs enfichables.
- Dévisser quatre vis

3.25. Zusammenbau

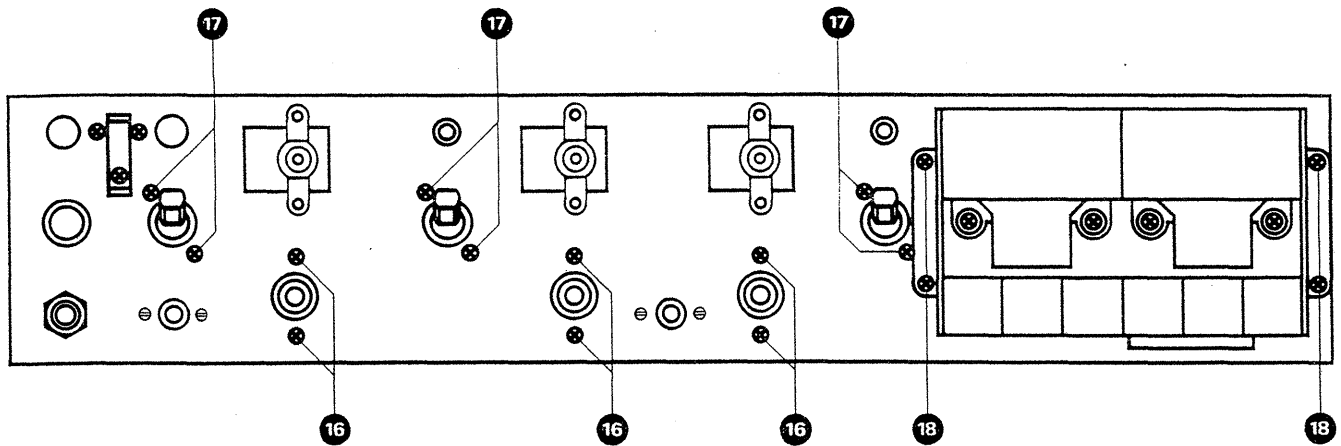
Das Zusammenbauen der ausgebauten Teile erfolgt prinzipiell *invers* zum Ausbau. Es ist darauf zu achten, dass keine Kabel verklemmt werden. Die Kabel sollen wieder den gleichen Verlauf innehaben wie vor dem Ausbau.

3.25. Reassembly

To reassemble any dismantled component, proceed in *reverse order* of the above description. Pay careful attention to route the cable harness in the *original manner* and take care to avoid any possible damage to the wire insulation.

3.25. Remontage

Le remontage des différentes unités s'effectue en principe à l'*inverse* du démontage. Il est particulièrement recommandé de veiller à remettre correctement les câbles en place et d'éviter de les coincer en remontant les pièces nouvelles ou réparées.



3.20. Audio-Verbindungs-Platine ausbauen

- NF-Steckkarten ausbauen (siehe 3.14.).
- Frontplatte der Bedieneinheit ausbauen (siehe 3.4.).
- Steckergehäuse und Flachstecker der externen Zuleitungen auf der Audio-Verbindungs-Platine ausziehen.
- 6 Befestigungsschrauben (16) der Dreh-schalter lösen.
- 6 Befestigungsschrauben (17) der Kipp-schalter lösen.
- Audio-Verbindungs-Platine nach hinten entfernen. Auf der Platinenrückseite 1 Stecker ausziehen. Die Kabel durch die Durchführungen ziehen.
- Schiebeschalter vorsichtig von Mit-nehmer (TAPE SPEED) lösen (Bruchgefahr der Schaltleiste).

3.20. Removal of audio interconnection board

- Remove audio circuit boards (see section 3.14.).
- Remove fascia of audio control section (see section 3.4.).
- Disconnect from the audio interconnecting board all plug shells and flat plugs of the external feed lines.
- Remove the 6 mounting screws (16) of the rotary switches.
- Remove the 6 mounting screws (17) of the toggle switches.
- Take out the audio interconnection board towards the rear.
- Disconnect 1 plug on the board's back side. Pull cables through the feed-throughs.
- Carefully separate the slide-switch TAPE SPEED from its driver (risk of breaking the switch bar).

3.20. Dépose du circuit d'interconnexion audio

- Enlevez les plaquettes BF (voir 3.14.).
- Enlevez la plaque frontale de l'unité de commande (voir 3.4.).
- Débranchez toutes les fiches des câbles arrivant sur le circuit d'interconnexion.
- Dévissez les 6 vis (16) de fixation des commutateurs rotatifs.
- Dévissez les 6 vis (17) de fixation des commutateurs à bascule.
- Retirez le circuit d'interconnexion audio. Au dos du circuit débranchez 1 fiche. Retirez le câble de la traversée.
- Libérez la barre de contacts de l'entraînement (TAPE SPEED) avec précaution (risques de rupture de la barre de contacts).

3.21. VU-Meter-Einheit ausbauen

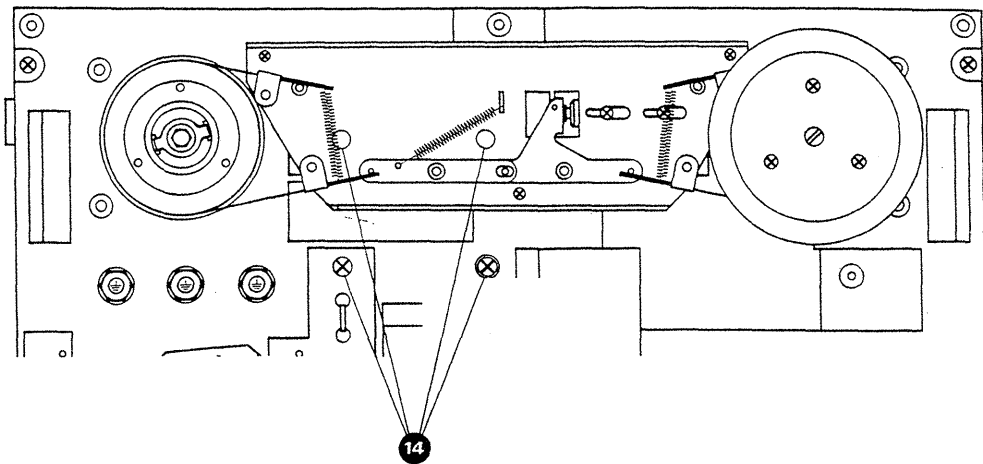
- Frontplatte der Bedieneinheit ausbauen (siehe 3.4.).
- 4 Schrauben (18) lösen.
- Die VU-Meter-Einheit mit den Laufwerk-Tasten kann nun aus der Aussparung des Montageblechs herausgehoben werden.
- Auf der Oberseite des VU-Meters ist die Lampe für die Skalabeleuchtung steckbar zugänglich.
- Die Instrumente sind durch Lösen zweier Befestigungsschrauben einzeln ausbaubar (Achtung: federnde Aufhängung).
- Muss die ganze VU-Meter-Einheit ausgetauscht werden, so sind die Zuführungskabel freizulegen. Evtl. Audio-Verbindungsplatine freilegen.

3.21. Removal of VU-meter unit

- Remove fascia of audio control section (see section 3.4.).
- Remove 4 screws (18).
- The VU-meter unit plus the tape transport control buttons may now be lifted from the cut-out in the mounting racket.
- The plug-in bulb for VU-meter illumination is accessible on the meter's top side.
- After the removal of two mounting screws, the meter may be taken out individually (attention: spring loaded suspension).
- If replacement of the complete VU-meter becomes necessary, the respective feed cables have to be cleared. If necessary, clear the audio interconnection board as well.

3.21. Dépose des VU-mètres

- Enlevez la plaque frontale de l'unité de commande (voir 3.4.).
- Dévissez 4 vis (18).
- Sortez par l'évitement de la tôle de montage, les VU-mètres et les touches de commande du mécanisme.
- On accède aux lampes d'éclairage par la partie supérieure des VU-mètres.
- Les instruments sont fixés au moyen de 2 vis.
- (En les démontant, attention aux ressorts de maintien).
- Si l'unité des VU-mètres complète doit être remplacée, enlever les câbles et évent. le circuit d'interconnexion.



18. Audio-Anschlussfeld ausbauen

- Gehäuse entfernen (siehe 3.1).
- Folgende Stecker und Steckverbindungen ausziehen:
 - 1 Stecker auf Input Amp.
 - 1 Stecker auf LINE OUTPUT AMPLIFIER PCB (J1)
 - 2 Flachstecker (gry, wht) auf Audio-Basisprint
 - 3 Flachstecker (blk, org, wht) auf CAPSTAN SPEED CONTROL PCB
 - 1 Stecker auf LOCATOR MPU (J1)
- Die beiden Befestigungsschrauben des Anschlussfeldes lösen und das Anschlussfeld entfernen.

3.19. Linker Bandzughebel ausbauen

- Laufwerkabdeckung entfernen (siehe 3.2.).
- 2 Schrauben lösen und Bandzughebel abheben.

Rechter Bandzughebel ausbauen

- Laufwerkabdeckung entfernen (siehe 3.2.).
- Rückzugsfeder des Bandumlenkbolzens aushängen,
- Durch Lösen der beiden äusseren Schrauben kann die Grundplatte entfernt werden.
- Der Bandumlenkbolzen kann durch Lösen der mittleren Schraube ausgebaut werden.

3.18. Disassembly of audio connection board

- Remove housing (see 3.1.).
- Disconnect following plugs and plug connections:
 - 1 plug on Input Amp.
 - 1 Connector on LINE OUTPUT AMPLIFIER PCB (J1)
 - 2 Blade terminals (gry, wht) on audio master board
 - 3 Blade terminals (blk,org,wht) on CAPSTAN SPEED CONTROL PCB
 - 1 Connector on LOCATOR MPU (J1)
- Unfasten the two mounting screws of the connection board and remove connection board.

3.19. Removal of left tape tension arm

- Remove front panel (see section 3.2.).
- Undo 2 screws and lift off the tape tension arm.

Disassembly of right-hand tape tension lever

- Remove tape transport cover (see 3.2.).
- Unhook restoring spring of tape guide pin.
- The base plate can be removed by unfastening the two outer screws.
- The guide pin can be removed by unfastening the center screw.

3.18. Dépose du panneau de raccordement audio

- Sortez l'appareil du boîtier (voir 3.1.).
- Débrancher les fiches et connecteurs suivants:
 - 1 fiche de l'Input Amp.
 - 1 fiche sur la plaquette LINE OUTPUT AMPLIFIER PCB (J1)
 - 2 fiches plates (gry, wht) sur le circuit d'interconnexion audio
 - 3 fiches plates (blk,org,wht) sur la plaquette CAPSTAN SPEED CONTROL PCB
 - 1 fiche sur la plaquette LOCATOR MPU (J1)
- Dévissez 2 vis et sortez le panneau de raccordement audio.

3.19. Dépose du tendeur de bande gauche

- Enlevez la plaque de recouvrement (voir 3.2.).
- Dévissez 2 vis et enlevez le tendeur de bande.

Dépose du tendeur de bande droit

- Enlever la plaque de recouvrement du mécanisme (voir 3.2.).
- Décrocher le ressort de rappel du tendeur.
- Dévisser les deux vis pour déposer la plaque de base.
- La vis du milieu permet le démontage du tendeur.

3.13. Bandabhebe-Einheit ausbauen

- Laufwerkabdeckung entfernen (siehe 3.2.).
- Kopfträger lösen (3 Schrauben) und auf die Seite kippen.
- Bandabhebe-Einheit lösen (3 Schrauben).

3.14. NF-Steckkarten ausbauen

- Gehäuse entfernen (siehe 3.1.).
- Abschirmblech entfernen, 2 Schrauben lösen.
- Die NF-Steckkarten können nun ausgezogen werden (auf Oszillator-Steckkarte den Stecker von Aufnahme- und Löschkopf-Zuführung ausziehen).
Input Amp. Stecker von Line Buchse und 2 Stecker von Cal/Uncal Schalter abziehen.
Output Amp. Stecker von Line Buchse und Masseverbindung ausziehen.

3.15. Laufwerksteuerungs-Steckkarte ausbauen

- Gehäuse entfernen (siehe 3.1.).
- alle Stecker-Verbindungen ausziehen.
- Print-Befestigungsschraube ⁽¹²⁾ lösen.
- Laufwerksteuerungs-Steckkarte von Stromversorgungsplatine abziehen.

3.16. Drehzahlregelungs-Steckkarte ausbauen

- Gehäuse entfernen (siehe 3.1.).
- 3 Steckverbindungen auf Drehzahlregelungs-Steckkarte ausziehen (wht, org, blk).
- Print-Befestigungsschraube ⁽¹³⁾ lösen.
- Drehzahlregelungs-Steckkarte von Stromversorgungsplatine abziehen.

3.17. Netztrafo-Einheit ausbauen

- Gehäuse entfernen (siehe 3.1.).
- Laufwerkabdeckung ausbauen (siehe 3.2.).
- Laufwerksteuerungs-Steckkarte ausbauen (siehe 3.15.).
- Drehzahlregelungs-Steckkarte ausbauen (siehe 3.16.).
- alle Stecker auf Stromversorgung ausziehen.
- Netzschalter und Kabel freilegen.
- 4 Befestigungsschrauben von vorn lösen.

3.13. Removal of tape lift mechanism

- Remove front panel (see section 3.2.).
- Loosen headblock (3 screws) and tilt the headblock to the side.
- Undo 3 mounting screws of the tape lift mechanism.

3.14. Removal of audio circuit boards

- Remove recorder from its case (see section 3.1.).
- Remove metal shield, undo 2 screws.
- The audio circuit boards may now be removed from their plug-in sockets (on the oscillator board the plug-in connections for the recording and erase heads have to be removed). Disconnect the Input Amp. connections from Line socket and 2 plugs from Cal/Uncal switch. Output Amp. plug from Line socket and earth connection.

3.15. Removal of tape transport control board

- Remove recorder from its case (see section 3.1.).
- Unplug the connector on the back of the control board.
- Undo PC-board mounting screw ⁽¹²⁾.
- The tape transport control board may now be unplugged from the power supply board.

3.16. Removal of speed control board

- Remove recorder from its case (see section 3.1.).
- Disconnect 3 plug-in wires (white, orange, black) from the speed control board.
- Undo PC-board mounting screw ⁽¹³⁾.
- Speed control board may now be unplugged from the power supply board.

3.17. Removal of power transformer unit

- Remove recorder from its case (see section 3.1.).
- Remove front panel (see section 3.2.).
- Remove tape transport control board (see section 3.15.).
- Remove speed regulating board (see section 3.16.).
- Disconnect all plugs of the power supply.
- Expose the Power Switch and cable.
- Unfasten 4 screws from front.

3.13. Dépose de l'unité d'écartement de la bande

- Enlevez la plaque de recouvrement (voir 3.2.).
- Dévissez les 3 vis du support des têtes et basculez-le sur le côté.
- Dévissez les 3 vis de l'unité d'écartement de la bande.

3.14. Démontage des plaquettes enfichables BF

- Sortez l'appareil du boîtier (voir 3.1.).
- Enlevez la tôle de blindage (2 vis).
- Retirez les plaquettes enfichables BF (pour l'oscillateur, débranchez tout d'abord la fiche des têtes d'effacement et d'enregistrement).
Débranchez le connecteur Input Amp. de la prise Line et 2 connecteurs du commutateur Cal/Uncal
Connecteur Output Amp. de la prise Line et de la liaison masse

3.15. Démontage de la plaquette de commande du mécanisme

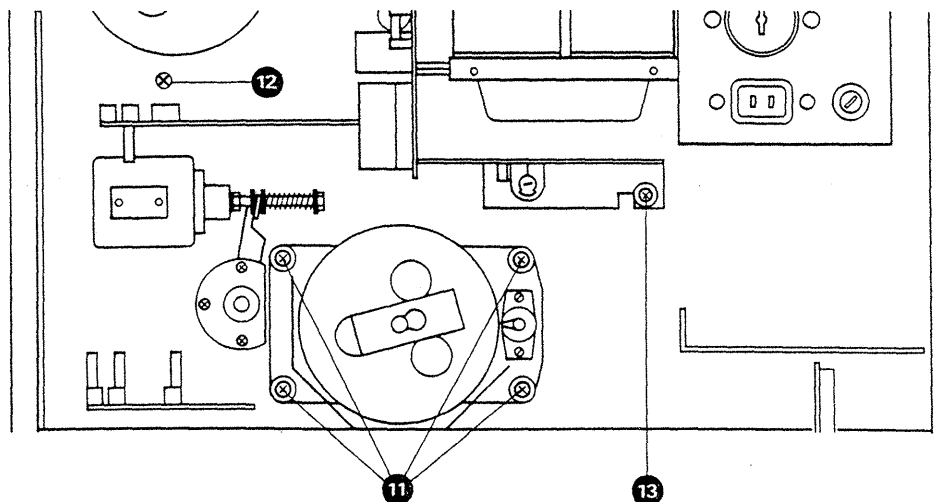
- Sortez l'appareil du boîtier (voir 3.1.).
- Débranchez la fiche au dos de la plaquette.
- Dévissez la vis de fixation ⁽¹²⁾.
- Retirez la plaquette de commande du mécanisme du circuit d'alimentation.

3.16. Démontage de la plaquette de régulation de vitesse

- Sortez l'appareil du boîtier (voir 3.1.).
- Débranchez les 3 fils (blanc, orange et noir).
- Dévissez la vis de fixation ⁽¹³⁾.
- Retirez la plaquette de régulation de vitesse du circuit d'alimentation.

3.17. Dépose du transformateur d'alimentation

- Sortez l'appareil du boîtier (voir 3.1.).
- Enlevez la plaque de recouvrement (voir 3.2.).
- Sortez la plaquette de commande du mécanisme (voir 3.15.).
- Sortez la plaquette de régulation de vitesse (voir 3.16.).
- Débranchez toutes les fiches secteur.
- Libérez le commutateur et le câble.
- Dévissez par l'avant les 4 vis.



3.0. Tonmotor ausbauen

- Gehäuse entfernen (siehe 3.1.).
- 3 Steckverbindungen von Motoranschlusskabel auf Stromversorgungsplatine ausziehen (grn, gry, yel).
- 2 Steckverbindungen von Abtasterkabel auf Stromversorgungsplatine ausziehen (blu, brn).
- Von der Geräterückseite die 4 Motorbefestigungsschrauben (11) lösen und den Tonmotor vorsichtig ausfahren.

Achtung:

Die Tonwelle darf unter keinen Umständen angeschlagen werden. Rundlaufgenauigkeit besser als 1/1000 mm. Beim Einbau des Tonmotors keine Kabel einklemmen.

3.10. Removal of capstan motor

- Remove recorder from its case (see section 3.1.).
- Remove the 3 plug-in motor wires (green, grey, yellow) from the power supply board.
- Remove the 2 plug-in tacho-head wires (blue, brown) from the power supply board.
- Remove the 4 motor mounting screws (11) which are accessible from the rear and withdraw the motor from the recorder.

Attention:

Take great care not to damage the delicate surface of the capstan shaft. The shaft has a run-out accuracy of better than 0.05 mil. When re-installing the capstan motor do not pinch any of the cables.

3.10. Dépose du moteur de cabestan

- Sortez l'appareil du boîtier (voir 3.1.).
- Débranchez les 3 fils du moteur (vert, gris et jaune) du circuit d'alimentation.
- Débranchez les 2 fils de la tête tachymétrique (bleu et brun) du circuit d'alimentation.
- Dévissez les 4 vis (11) de fixation du moteur à l'intérieur de l'appareil et sortez le moteur avec précaution.

Attention:

Veillez absolument à ce que l'axe de cabestan ne subisse aucun choc. La tolérance d'excentricité est inférieure à 1/1000 de mm. Au remontage, prenez garde de ne pas coincer des câbles.

3.11. Andruckmagnet, Andruckarm ausbauen

- Gehäuse entfernen (siehe 3.1.).
- Laufwerkabdeckung entfernen (siehe 3.2.).
- 2 Steckverbindungen auf Andruckmagnet ausziehen (wht, vio).
- 2 Schrauben lösen. Andruckmagnet ausfahren.
- Rückzugfeder lösen.
- Innensechskantschraube an Stelling lösen.
- Kopfträger lösen (3 Schrauben) und auf die Seite kippen.
- Andruckarm nach vorne ausfahren.

3.11. Removal of pinch roller solenoid and pinch roller arm

- Remove recorder from its case (see section 3.1.).
- Remove front panel (see section 3.2.).
- Disconnect the 2 wires (white, violet) from the pinch roller solenoid.
- Undo the solenoid's 2 mounting screws and remove solenoid.
- Disconnect pinch roller return spring.
- Loosen Allen-screw on locking ring.
- Loosen headblock (3 screws) and tilt headblock to the side.
- Withdraw pinch roller arm towards the front.

3.11. Dépose de l'électro-aimant et du bras du galet presseur

- Sortez l'appareil du boîtier (voir 3.1.).
- Enlevez la plaque de recouvrement (voir 3.2.).
- Débranchez les 2 fils de l'électro-aimant (blanc et violet).
- Dévissez 2 vis et sortez l'électro-aimant.
- Libérez le ressort de rappel.
- Dévissez la vis imbus à 6 pans de l'anneau de blocage et basculez-le sur le côté.
- Dévissez le support des têtes (3 vis) et basculez-le sur le côté.
- Sortez par l'avant le bras du galet presseur.

3.12. Vari-speed Control-Einheit ausbauen

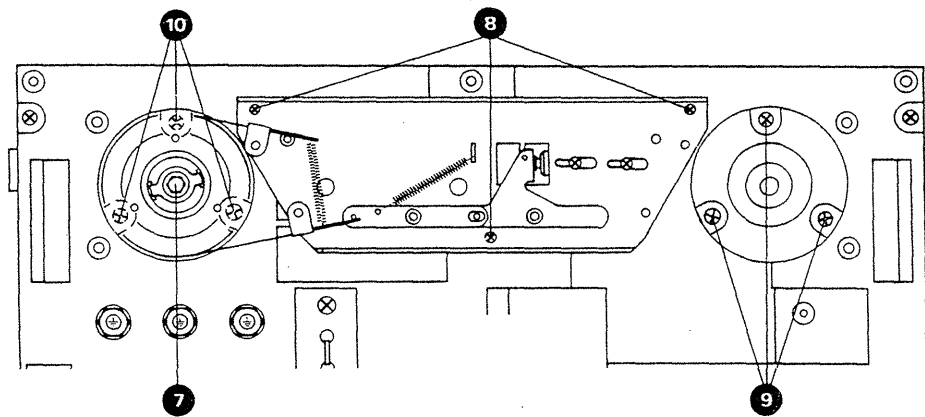
- Laufwerksabdeckung ausbauen (siehe 3.2.).
- Kappe des Drehknopfs VARIABLE SPEED abnehmen, Schraube lösen und Drehknopf abziehen
- zwei Schrauben lösen und Vari-Speed Control nach hinten herausnehmen

3.12. Removal of Varispeed Control unit

- Remove tape transport cover (see 3.2.)
- Remove VARIABLE SPEED knob by removing the cap, loosening the screw and pulling off the knob
- Unfasten two screws and remove vari-speed control by sliding it out toward the rear

3.12. Dépose de l'unité Vari-speed Control

- Déposer le recouvrement du mécanisme (voir 3.2.)
- Retirer le bouton du potentiomètre VARI-SPEED. Dévisser la vis et retirer le bouton
- Dévisser deux vis et extraire le Vari-Speed Control par l'arrière



3.8. Rechten Wickelmotor ausbauen

- Bremstrommeln ausbauen (siehe 3.5.).
- 2 Schrauben für Querstrebenbefestigung lösen. Querstrebe entfernen.
- 4 Steckverbindungen von Motoranschlusskabel auf Fader Start Logic ausziehen (brn, blu, yel, grn). Kabel freilegen (Bride entfernen).
- Rechten Wickelmotor von Hand festhalten und 3 Motor-Befestigungsschrauben (9) lösen.
- Rechten Wickelmotor vorsichtig ausfahren.

3.8. Removal of right-hand spooling motor

- Remove brake drums (see section 3.5.).
- Remove 2 mounting screws of the cross brace and take out the brace.
- Remove 4 plug-in motor wires (brown, blue, yellow, green) from the power supply board. Remove cable clamp and free the wires.
- Support right-hand spooling motor with one hand while undoing its 3 mounting screws (9).
- Carefully remove right-hand spooling motor.

3.8. Dépose du moteur de bobinage droit

- Enlevez le tambour de frein (voir 3.5.).
- Enlevez la barre transversale en dévissant les 2 vis.
- Débranchez les 4 fils du moteur (brun, bleu, jaune et vert) du circuit d'alimentation. Libérez le câble (enlevez la bride).
- En tenant le moteur droit bien en main, dévissez les 3 vis de fixation (9).
- Retirez le moteur droit avec précaution.

3.9. Linken Wickelmotor ausbauen

- Bremstrommeln ausbauen (siehe 3.5.).
- 2 Schrauben für Querstrebenbefestigung lösen. Querstrebe entfernen.
- 4 Steckverbindungen von Motoranschlusskabel auf Stromversorgungsplatine ausziehen (yel, blu, brn, grn). Kabel freilegen.
- Netzanschluss-Einheit mit 2 Schrauben von Netztrafo lösen und hinausdrehen.
- Linken Wickelmotor von Hand festhalten und 3 Motor-Befestigungsschrauben (10) lösen.
- Linken Wickelmotor vorsichtig ausfahren.

Beim Einbau ist darauf zu achten, dass der Wickelmotor zentriert wird. Der Spulenteiler darf an eingebauter Laufwerkabdeckung nicht streifen.

3.9. Removal of left-hand spooling motor

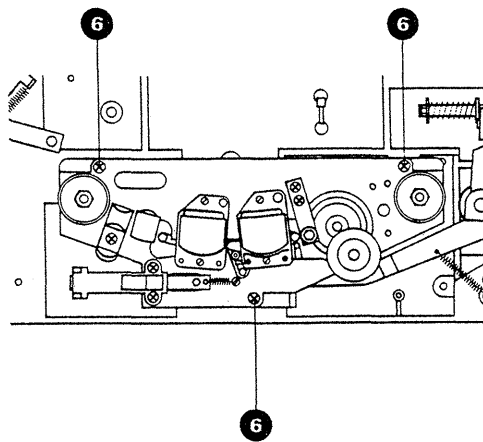
- Remove brake drums (see section 3.5.).
- Remove the 2 mounting screws of the cross brace and take out the brace.
- Remove four plug-in motor wires (yellow, blue, brown, green) from the power supply board.
- Remove cable clamp and free the wires.
- Undo the 2 mounting screws which hold the electric power input unit to the power transformer and turn power input unit outward.
- Support the left-hand spooling motor with one hand while undoing its 3 mounting screws (10).
- Carefully remove left-hand spooling motor.

When reinstalling the motor, make sure that it is accurately centered. The reel supports must not touch or scrape against the front panel.

3.9. Dépose du moteur de bobinage gauche

- Enlevez le tambour de frein (voir 3.5.).
- Enlevez la barre transversale en dévissant les 2 vis.
- Débranchez les 4 fils du moteur (jaune, bleu, brun et vert) du circuit d'alimentation. Libérez le câble.
- Tournez en dehors l'unité de raccordement secteur en dévissant 2 vis.
- En tenant le moteur gauche bien en main, dévissez les 3 vis de fixation (10).
- Retirez le moteur gauche avec précaution.

Au remontage, contrôlez le centrage du moteur. Le plateau de bobine ne doit pas frotter contre la plaque de recouvrement.



3.6. Kopfträger ausbauen

- Laufwerksabdeckung ausbauen (siehe 3.2.).
- zwei Schrauben lösen, Abschirmblech abnehmen und Reproduce Amplifier 1.177.876 ziehen, Stecker des Wiedergabekopfes ziehen
- Stecker des Aufnahme- und des Löschkopfes vom Oszillator PCB 1.177.868 abziehen.
- Stecker des Bewegungssensors von der Locator MPU Karte abziehen
- Stecker des Tape-End-Sensors von Power-Supply 1.177.785 abziehen
- am Kopfträger drei Schrauben (6) lösen und Kopfträger vorsichtig abheben

3.6. Removing the headblock

- Remove transport cover (see 3.2.).
- Unfasten two screws, remove head shield, disconnect reproduce amplifier 1.177.876 and separate connector of the reproduce head
- Disconnect record and erase head connector plug from Oscillator PCB 1.177.868.
- Separate connector of the move sensor on the locator MPU board
- Separate connector of tape end sensor on power supply 1.177.785
- Unfasten three screws (6) on headblock and carefully withdraw headblock

3.6. Dépose du support des têtes

- Enlever le recouvrement du mécanisme (voir 3.2.).
- Dévisser deux vis, retirer la plaque de blindage. Retirer l'amplificateur de lecture 1.177.876 et défaire le connecteur de la tête de lecture
- Débrancher les connecteurs des têtes d'enregistrement et de lecture du circuit oscillateur 1.177.868.
- Retirer le connecteur de capteur de la carte Locator MPU
- Retirer le connecteur du capteur de fin de bande du Power Supply 1.177.785
- Déposer le support des têtes après avoir dévissé les trois vis (6)

HINWEIS: Beim Zusammenbau die Abschirmung des Wiedergabekopfes erst nach vorne klappen, dann Kopfträger aufsetzen.

NOTE: When reassembling, fold the screen of the reproduce head forward before mounting the headblock.

ATTENTION: Lors du remontage, rabattre la plaque de blindage de la tête de lecture avant de replacer le support des têtes.

3.7. Bewegungssensor ausbauen

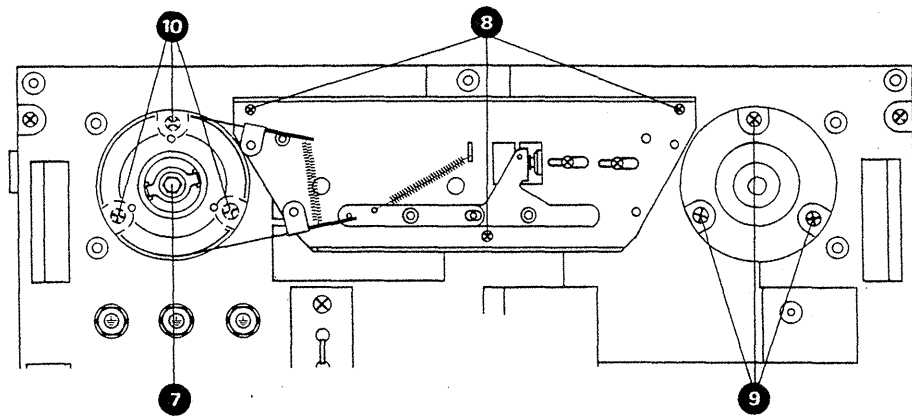
- (4 siehe Bild Seite 9/2)
- Laufwerksabdeckung ausbauen (siehe 3.2.).
 - Kopfträger ausbauen (siehe 3.6.).
 - Joch [2] nach Lösen einer Schraube [5] abnehmen
 - zwei Schrauben [6] lösen, dann Zählerrolle [3] und Abtaster [4] abnehmen

3.7. Removing the tape move sensor

- (4 see picture page 9/2)
- Remove tape transport cover (see 3.2.)
 - Remove headblock (see 3.6.)
 - Remove yoke [2] after unfastening of one screw [5]
 - Unfasten two screws [6], then remove tachometer roller [3] and sensor [4].

3.7. Dépose du capteur de mouvement

- (4 voir le tableau page 9/2)
- Déposer le recouvrement du mécanisme (voir 3.2.)
 - Déposer le support des têtes (voir 3.6.)
 - Enlever la culasse [2] après avoir dévissé la vis [5]
 - Dévisser deux vis [6], puis enlever le rouleau du compteur [3] et le capteur [4]



3.5. Bremsaggregat ausbauen

- Gehäuse entfernen (siehe 3.1.).
- Laufwerkabdeckung ausbauen (siehe 3.2.).
- Spulenteller ausbauen (je 3 Schrauben).
- Bremstrommeln, zentrale Schraube (7) lösen, Bremsen lüften und Trommeln vorsichtig, mit Mitnehmerscheibe, nach oben abheben.

Es ist besonders darauf zu achten, dass die Bremsbänder nicht geknickt werden. Bremsflächen nicht berühren. Fettspuren verschlechtern die Bremswirkung.

- 2 Anschlüsse (vio, gry) am Bremsmagneten abziehen.
- 3 Schrauben (8) des Bremsaggregates lösen und das Chassis vorsichtig abheben.

3.5. Removal of brake assembly

- Remove the recorder from its case (see section 3.1.).
- Remove front panel (see section 3.2.).
- Remove reel supports after undoing their 3 mounting screws.
- Remove central mounting screw (7), manually operate brake lift mechanism and pull the brake drums with their dog-washers carefully off the motor shafts.

Take special care not to kink the brake bands. Do not touch the brake linings. Any trace of grease on the linings will cause the braking action to deteriorate.

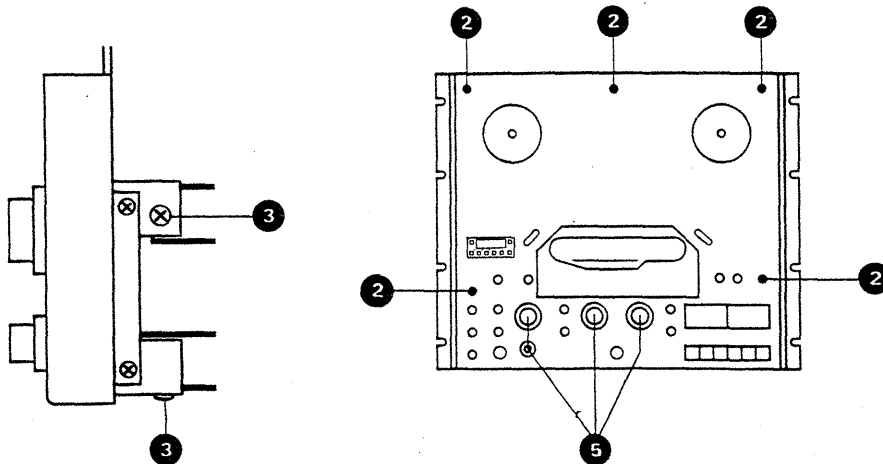
- Pull off the two wires violet/grey from the brake solenoid.
- Undo the 3 screws (8) and lift brake assembly carefully out of the recorder.

3.5. Dépose de l'agrégat des freins

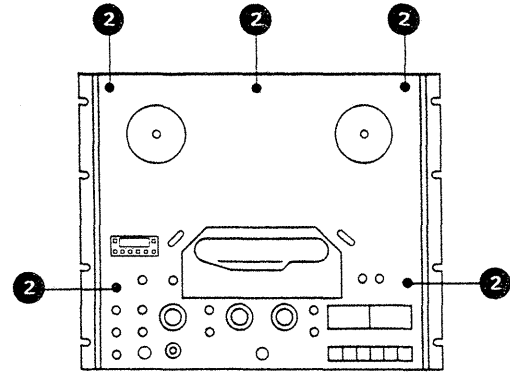
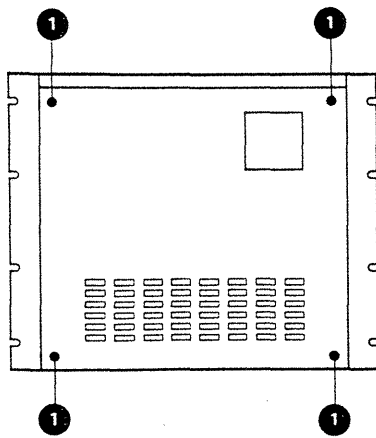
- Sortez l'appareil du boîtier (voir 3.1.).
- Déposez la plaque recouvrant le mécanisme (voir 3.2.).
- Enlevez les plateaux de bobine (3 vis chacun).
- Dévissez la vis centrale (7) des tambours de frein, écarter les bandes de frein et sortez les tambours par le haut avec la rondelle d'entraînement.

Il est particulièrement recommandé de ne pas plier les bandes de frein et de toucher les surfaces actives car les traces de graisse diminuent considérablement l'efficacité des freins.

- Débranchez les 2 fils (violet, gris) de raccordement de l'électro-aimant des freins.
- Dévissez les 3 vis (8) et déposez avec précaution l'agrégat des freins.



- | | | |
|--|---|---|
| <p>3. Bedienungseinheit ausbauen</p> <ul style="list-style-type: none"> - Gehäuse entfernen (siehe 3.1.). - Abschlussleisten und Abschirmblech entfernen. - Auf Audio-Verbindungs-Platine alle externen Steckverbindungen ausziehen. - Netzschalter abschrauben. - 4 Schrauben (3) lösen. - Bedienungseinheit nach vorne ausfahren. | <p>3.3. Removal of audio control section</p> <ul style="list-style-type: none"> - Remove housing (see 3.1.). - Remove trim strips and metal shield. - Pull out all plug connections on audio interconnection board. - Unscrew mains switch. - Undo the 4 screws (3). - Pull control section forward. | <p>3.3. Dépose de l'unité de commande</p> <ul style="list-style-type: none"> - Enlever le boîtier (voir 3.1.). - Enlever les listes de maintien et le blindage. - Débrancher tous les connecteurs externes du circuit d'interconnexion audio. - Dévisser l'interrupteur secteur. - Dévisser 4 vis (3). - Sortir vers l'avant l'unité de commande |
| <p>3.4. Frontplatte der Bedienungseinheit ausbauen</p> <ul style="list-style-type: none"> - Gehäuse entfernen (siehe 3.1.). - Je drei Befestigungsschrauben der seitlichen Zierleisten lösen und die Zierleisten entfernen. - Auf Frontseite 4 Bedienungsknöpfe (5) abmontieren. - Frontplatte vorsichtig über die 3 Kippschalter abheben. | <p>3.4. Removal of fascia from control section</p> <ul style="list-style-type: none"> - Remove housing (see 3.1.). - Remove 3 screws from each of the decor strips on the side and remove the strips. - Remove the 4 operating buttons (5) from front panel. - Carefully lift front panel over the 3 toggle switches. | <p>3.4. Dépose de la plaque frontale de l'unité de commande</p> <ul style="list-style-type: none"> - Enlever le boîtier (voir 3.1.). - Enlever les listes de maintien en dévissant les 3 vis de fixation. - Enlever les 4 boutons (5) de la partie frontale. - Déposer la plaque frontale en prenant garde des 3 commutateurs à bascule. |



3. AUSBAU

Achtung:

Vor Entfernen des Gehäuses unbedingt den Netzstecker ziehen.

3.1. Gehäuseausbau

- Gerät senkrecht stellen.
- Auf der Rückseite 4 Schrauben (1) lösen.
- Gerät unten anfassen und vorsichtig nach vorne aus dem Gehäuse ausfahren.

3.2. Entfernen der Laufwerksabdeckung

- aus Gehäuse ausbauen (siehe 3.1.)
 - Abschlussleisten links und rechts abbauen
 - Kopfabdeckung abziehen
 - Andruckrolle ausbauen
 - fünf Schrauben lösen (2)
 - Tasten: REAL SIZE, TAPE DUMP einrasten
 - Achse der Andruckrolle in Richtung Capstanachse schieben, dadurch hebt sich die Abschirmung vor den Wiedergabekopf!
 - Laufwerksabdeckung von der Anschluss-Seite her anheben und die beiden Steckverbinder am VARI-SPEED CONTROL und am LOCATOR COMMAND abziehen, erst dann endgültig abnehmen.
- Beim Zusammenbau auf die hochgeklappte Wiedergabekopf-Abschirmung achten!

Achtung:

Die Rolle darf nur mit einem trockenen Lappen gereinigt werden. Es ist speziell darauf zu achten, dass kein flüchtiges Reinigungsmittel in das Sinterlager gelangt.

Nur der Achsbolzen soll mit Reinbenzin gereinigt werden.

Die Rolle im trockenen Zustand wieder zusammenbauen. Die Achse darf nicht geschmiert werden.

3. DISMANTLING

Attention:

Disconnect the recorder from the electrical current supply before removing it from its case.

3.1. Removal of case

- Place recorder vertically on workbench.
- Remove the 4 screws (1) from its back.
- Take hold of the lower front part and carefully pull the recorder out of its case.

3.2. Removing the tape transport cover

- Remove from housing (see 3.1.)
 - Detach left-hand and right-hand trim strips
 - Pull off head shield
 - Remove pinch roller
 - Unfasten five screws (2)
 - Engage the following buttons: REAL SIZE, TAPE DUMP
 - Shift pinch roller shaft in the direction of the capstan shaft: the shield moves in front of the reproduce head!
 - Lift tape transport cover from the connector panel side and separate the two connectors on the VARISPEED CONTROL and on the LOCATOR COMMAND, then remove tape transport cover completely.
- When reassembling, watch for the turned up reproduce head-shield!

Attention:

Do not use any liquids for the cleaning of the roller, use a piece of dry cloth only. Take special care to prevent the entering of any volatile liquids into the sintered bearing.

Only the shaft may be cleaned with benzene.

Reassemble the roller in its dry state. Do not lubricate the shaft.

3. DEMONTAGE

Attention:

Avant tout démontage, retirez la prise secteur.

3.1. Démontage du boîtier

- Posez l'appareil verticalement.
- Dévissez les 4 vis (1) du fond.
- Prenez l'appareil par-dessous et sortez-le du boîtier avec précaution en le tirant vers l'avant.

3.2. Dépose du recouvrement du mécanisme

- Effectuer les déposes du boîtier (voir 3.1.)
 - Démonter les baguettes des bords gauche et droit
 - Enlever le capôt des têtes
 - Démontez le galet presseur
 - Dévisser 5 vis (2)
 - Verrouiller les touches REAL SIZE, TAPE DUMP
 - Déplacer l'axe du galet presseur vers celui du cabestan. Le blindage se relève alors devant la tête de lecture!
 - Soulever le recouvrement du mécanisme par sa partie orientée vers les connecteurs. Défaire les connexions aux circuits VARI-SPEED CONTROL et LOCATOR COMMAND puis déposer complètement le recouvrement du mécanisme.
- Lors du remontage, faire attention à la plaque de blindage relevée!

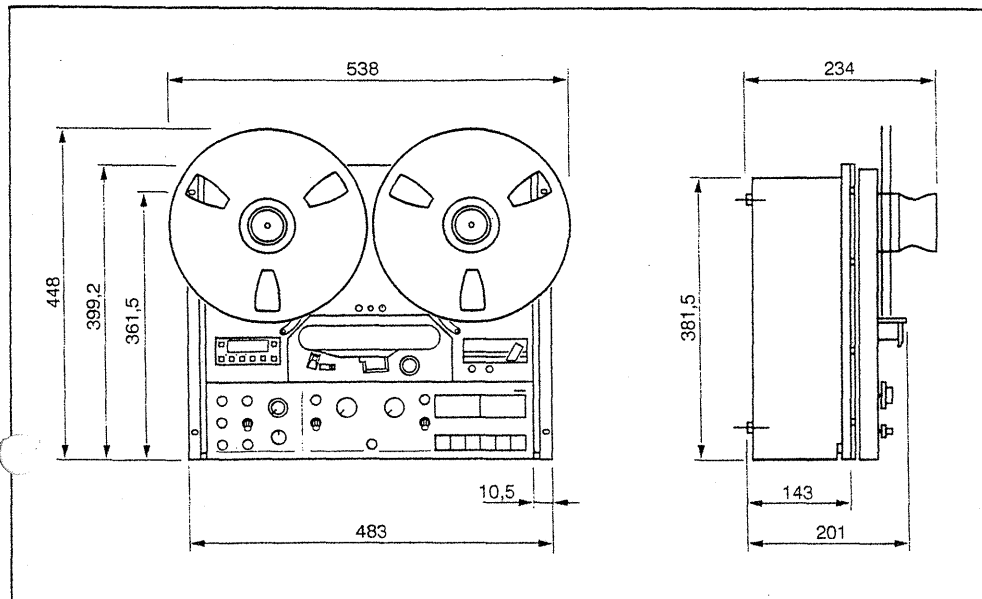
Attention:

Le galet presseur ne doit être nettoyé qu'avec un chiffon sec. Il est également très important de veiller à ce qu'aucun produit de nettoyage volatil ne pénètre dans le palier.

L'axe seul peut être nettoyé avec de la benzine rectifiée.

Remonter le galet presseur absolument sec. L'axe ne doit pas être lubrifié.

ABMESSUNGEN/DIMENSIONS/DIMENSIONS



2. Caractéristiques techniques

REVOX PR99 MKIII

Type de l'appareil:	magnétophone à bande 2 canaux, bande 1/4"		
Entraînement:	entraînement à 3 moteurs, 2 moteurs AC de bobinage, 1 moteur AC de cabestan à régulation électronique		
2 vitesses de défilement:	à commutation électronique versions 9,5/19 ou 19/38 cm/s tolérance de la vitesse nominale: $\pm 0,2\%$		
Plage Varispeed interne:	- 33%... + 50% de la vitesse nominale		
Pleurage: (d'après DIN 45507)	pour diamètre de noyau	≥ 10 cm:	≥ 6 cm:
	à 9,5 cm/s	< 0,1%	< 0,1%
	à 19 cm/s	< 0,08%	< 0,1%
	à 38 cm/s	< 0,06%	< 0,1%
Dérive:	max. 0,2%		
Durée de rebobinage:	env. 120 s pour une bande de 760 m		
Diamètre des bobines:	jusqu'à 265 mm max. (10,5") (diamètre minimum de noyau: 6 cm), tension de bande commutable pour les petits noyaux		
Commande du mécanisme:	commande des fonctions par logique intégrée avec détecteur de mouvement. Commande électronique sans contact des moteurs. Toutes les fonctions télécommandables. Fonctionnement à minuterie avec télécommande possible. Fader Start et mode dévidement libre.		
Compteur de bande:	affichage réel en h, min, s, selon la vitesse de bande choisie. Précision: 0,5% Play mode		
Zéro-Locator, Adress-Locator et fonctionnement sans fin possibles.			
Corrections:	NAB	9,5 cm/s:	90-3180 μ s
		19 cm/s:	50-3180 μ s
		38 cm/s:	50-3180 μ s
	CCIR	9,5 cm/s:	90-3180 μ s
		19 cm/s:	70 μ s
		38 cm/s:	35 μ s
Courbe de réponse:	à 9,5 cm/s:	30 Hz... 16 kHz + 2/ - 3 dB 50 Hz... 10 kHz $\pm 1,5$ dB	
	à 19 cm/s:	30 Hz... 20 kHz + 2/ - 3 dB 50 Hz... 15 kHz $\pm 1,5$ dB	
	à 38 cm/s:	30 Hz... 22 kHz + 2/ - 3 dB 50 Hz... 18 kHz $\pm 1,5$ dB	
Niveau maximum:	514 nWb/m correspondant à 6 dB au-dessus de 0VU		
Indicateurs de niveau:	VU-mètres d'après la norme ASA avec indicateurs LED des valeurs de pointe (0VU + 6 dB, réglable)		
Taux de distorsions harmoniques (k3/1 kHz) par rapport à 514 nWb/m	CCIR:	NAB:	
	9,5 cm/s:	< 2,5%	
	19 cm/s:	< 2,0%	< 1,5%
	38 cm/s:	< 1,0%	< 1,0%
Rapport signal/bruit:	mesuré après bande, par rapport au niveau maximum 514 nWb/m, CCIR 468/ASA-A CEI 179		
Versions CCIR:	19 cm/s:	> 52/64 dB	
	38 cm/s:	> 54/66 dB	
Versions NAB:	9,5 cm/s:	> 63 dB	
	19 cm/s:	> 66 dB	
	38 cm/s:	> 66 dB	
Affaiblissement de diaphonie: 1 kHz, stéréo seulement	stéréo:	> 45 dB	
	mono:	> 60 dB	
Effacement 1 kHz:	à 19 cm/s: meilleur que - 75 dB		
Entrées par canal: (0 dBu = 0,775 V) XLR	LINE IN:	ligne symétrique avec transfo impédance d'entrée ≥ 10 kohms	
	CAL (CCIR):	+ 6 dBu pour 514 nWb/m réglable - 4... + 16 dBu	
	CAL (NAB):	+ 4 dBu pour niveau OP (0VU) réglable - 10... + 10 dBu	
	UNCAL:	la sensibilité peut être augmentée de 10 dB par le potentiomètre INPUT LEVEL	
Niveau d'entrée max. admissible:	+ 22 dBu		

Sorties par canal: XLR	LINE OUT:	ligne symétrique, avec transfo (impédance < 50 ohms)
	CAL (CCIR):	+ 6 dBu/600 ohms pour 514 nWb/m réglable - 14... + 15 dBu
	CAL (NAB):	+ 4 dBu/600 ohms pour niveau OP (0VU) réglable - 20... + 9 dBu
	UNCAL:	la sensibilité peut être augmentée de 10 dB avec le potentiomètre INPUT LEVEL
	Niveau	+ 22 dBu à charge 600 ohms
	max.:	+ 20 dBu à charge 200 ohms
Prise Jack \varnothing 6,3 mm	PHONES:	max. 5,6 V/R _i 220 ohms, protégée contre le court-circuit
Raccords de télécommande:	fonctions mécaniques, vitesse de défilement variable, de télécommande: Fader Start	
Alimentation: (sélecteur de tension)	100 V, 120 V, 140 V, 200 V, 220 V, 240 V 50... 60 Hz, max. 100 W	
Fusible réseau: Raccord réseau:	100...140 V: T 1 A; 200...240 V: T 500 mA à 3 pôles avec terre de protection	
Conditions d'ambiance:	température ambiante + 10... + 40°C humidité relative (DIN 40040) classe F	
Position de travail:	quelconque, entre l'horizontale et la verticale	
Poids (masse):	18,5 kg y compris le support de bâti	
	Toutes les valeurs BF spécifiques à la bande se réfèrent aux types de bande suivants: 9,5/19 cm/s NAB: REVOX 656 19/38 cm/s NAB: REVOX 656 19/38 cm/s CCIR: AGFA PEM 468	

REVOX PR99 MKIII LINE I/O STEREO et LINE I/O MONO

- Seules sont indiquées les modifications par rapport à la version normale.
- Les données différentes par LINE IN/OUT MONO sont entre parenthèses.

Versions:	tous les appareils LINE IN/OUT (STEREO et MONO): exécution CCIR 19/38 cm/s	
2 vitesses de bande:	19/38 cm/s à commutation électronique	
Tolérance de la vitesse nominale:	$\pm 0,2\%$	
Ecarts signal/bruit:	sur bande, pour niveau max. 514 nWb/m crête CCIR 468/ASA-A CEI 179 19 cm/s: > 52 (56) / 64 (68) dB 38 cm/s: > 54 (58) / 66 (70) dB	
Affaiblissement de diaphonie: 1 kHz, stéréo seulement	> 45 dB	
Entrées par canal: (0 dBu = 0,775 V) XLR	LINE IN:	ligne symétrique, avec transfo impédance d'entrée ≥ 10 kohms + 6 dB pour 514 nWb/m réglable - 4... + 16 dBu
Niveau max. d'entrée admissible:	+ 22 dBu	
Sorties par canal: XLR	LINE OUT:	ligne symétrique, avec transfo (impédance < 50 ohms) + 6 dBu/600 ohms pour 514 nWb/m réglable - 14... + 15 dBu
	Niveau	+ 22 dBu pour charge 600 ohms
	max.:	+ 20 dBu pour charge 200 ohms
Prise Jack \varnothing 6,3 mm	PHONES:	max. 5,6 V/R _i 220 ohms, protégée contre le court-circuit
Toutes les données BF spécifiques à la bande des versions LINE IN/OUT se réfèrent à: AGFA PEM 468		
Sous réserve de modifications		

2. Technical data

REVOX PR99 MKIII

Recorder format:	2-channel, 1/4" tape		
Tape transport mechanism:	3 motor tape drive, 2 AC driven spooling motors, 1 AC driven capstan motor, electronically regulated		
2 tape speeds:	Electronic change-over 9.5/19 or 19/38 cm/s (3.75/7.5 or 7.5/15 ips) versions.		
Tolerance from nominal:	±0.2%		
Variable speed range:	-33% ... +50% from nominal.		
Wow and flutter: (DIN 45507/consistent with IEE standard 193-1971)	For c-diameter ≥ 10 cm (3.94 in.)	≥ 6 cm (2.36 in.)	
	at 9.5 cm/s (3.75 ips)	<0.1%	<0.1%
	at 19 cm/s (7.5 ips)	<0.08%	<0.1%
	at 38 cm/s (15 ips)	<0.06%	<0.1%
Tape slip:	max. 0.2%		
Winding time:	approx. 120 sec. for 760 m (2500 ft.) tape		
Reel size:	Up to 265 mm (10.5 inches) diameter min. hub diameter 6 cm (2.36 inches) tape tension switchable for small hub diameter		
Tape transport control:	Integrated control logic with tape motion sensor provides for any desired transition between different operating modes. Contactless electronic switching of all motors. Remote control of all functions and electric timer operation are possible Fader start facilities Tape dump mode		
Tape counter:	Accuracy ±0.5% in Play Real-time indication in hours, min., sec. Zero locator, Address locator, Repeat mode		
Equalization:	NAB	9.5 cm/s (3.75 ips):	90-3180 μ s
		19 cm/s (7.5 ips):	50-3180 μ s
		38 cm/s (15 ips):	50-3180 μ s
	CCIR	9.5 cm/s (3.75 ips):	90-3180 μ s
		19 cm/s (7.5 ips):	70 μ s
		38 cm/s (15 ips):	35 μ s
Frequency response:	at 9.5 cm/s (3.75 ips):	30 Hz ... 16 kHz +2/-3 dB 50 Hz ... 10 kHz ±1.5 dB	
	at 19 cm/s (7.5 ips):	30 Hz ... 20 kHz +2/-3 dB 50 Hz ... 15 kHz ±1.5 dB	
	at 38 cm/s (15 ips):	30 Hz ... 22 kHz +2/-3 dB 50 Hz ... 18 kHz ±1.5 dB	
Operating level:	514 nWb/m, corresp. to 6 dB over 0 VU		
Level metering:	VU meter in accordance with ASA standard plus LED peak level indicators (6 dB above operating level, adjustable)		
Distortion: (3rd harmonic at 1 kHz) Ref. 514 nWb/m		CCIR:	NAB:
	9.5 cm/s (3.75 ips):	<2.0%	<2.5%
	19 cm/s (7.5 ips):	<1.5%	<1.5%
	38 cm/s (15 ips):	<1.0%	<1.0%
Signal to noise ratio:	Measured via tape referred to 514 nWb/m peak weighted: CCIR 468/ASA-A IEC 179		
CCIR versions:	19 cm/s (7.5 ips):	>52/64 dB	
	38 cm/s (15 ips):	>54/66 dB	
NAB versions:	9.5 cm/s (3.75 ips):	>63 dB	
	19 cm/s (7.5 ips):	>66 dB	
	38 cm/s (15 ips):	>66 dB	
Crosstalk: 1 kHz stereo only	Stereo: >45 dB Mono: >60 dB		
Erase depth at 1 kHz:	at 19 cm/sec (7.5 ips) better than 75 dB		
Input per channel: XLR connectors (0 dBu = 0.775 V)	LINE IN:	Balanced with transformer Input impedance ≥ 10 kOhm	
	CAL (CCIR):	+6 dBu for 514 nWb/m adjustable -4 ... +16 dBu	
	CAL (NAB):	+4 dBu for operating level (0 VU) adjustable -10 ... +10 dBu	
	UNCAL:	Sensitivity ext. variable up to 10 dB above calibrated input. +22 dBu	
Max. line input level:	+22 dBu		

Outputs per channel: XLR connectors	LINE OUT:	Balanced with transformer (Z out < 50 Ohm)
	CAL (CCIR):	+6 dBu/600 Ohm at 514 nWb/m adjustable -14 ... +15 dBu
	CAL (NAB):	+4 dBu/600 Ohm at operating level (0 VU) adjustable -20 ... +9 dBu
	UNCAL:	Output level variable up to 10 dB above calibrated output. +22 dBu with 600 Ohm +20 dBu with 200 Ohm
Max. line output level:	+22 dBu with 600 Ohm +20 dBu with 200 Ohm	
Jack connector (6.3 mm diam./1/4 inch diam.)	PHONES:	max. 5.6 V/R _i 220 Ohm short circuit proof.
Remote control connectors:	For tape transport functions, variable tape speed, fader start	
Electric current supply: (Voltage selector)	100 V, 120 V, 140 V, 200 V, 220 V, 240 V 50 ... 60 Hz, max. 100 W	
Primary power fuse:	100 ... 140 V: 1 A slow blow; 200 ... 240 V: 500 mA slow blow 3-poles with ground protection	
Mains connector:		
Operating conditions:	Ambient temp. range +10 ... +40 °C (50 °F to 104 °F) relative humidity (DIN 40040) Class F	
Working position:	any between horizontal and vertical	
Weight incl. rack adapters:	18.5 kg (41 lbs)	
	Tape used for spec measurements: 9.5/19 cm/s (3.75/7.5 ips) NAB: REVOX 656 19/38 cm/s (7.5/15 ips) NAB: REVOX 656 19/38 cm/s (7.5/15 ips) CCIR: AGFA PEM 468	

REVOX PR99 MKIII LINE I/O STEREO and LINE I/O MONO

- Only the differences from the standard version are listed below
- Data relative to LINE IN/OUT MONO are in parentheses.

Versions:	All LINE IN/OUT recorders (STEREO and MONO) are CCIR 19/38 cm/s (7.5/15 ips)	
2 speeds:	19/38 cm/s (7.5/15 ips) electronic change-over	
Tolerance from nominal:	±0.2%	
Signal to noise ratio:	Measured via tape referred to 514 nWb/m peak weighted: CCIR 468/ASA-A IEC 179 19 cm/s (7.5 ips): >52 (56) / 64 (68) dB 38 cm/s (15 ips): >54 (58) / 66 (70) dB	
Crosstalk: 1 kHz, stereo only	>45 dB	
Input per channel: XLR connectors (0 dBu = 0.775 V)	LINE IN:	Balanced with transformer Z in ≥ 10 kOhm +6 dB for 514 nWb/m adjustable -4 ... +16 dBu +22 dBu
Max. line input level:	+22 dBu	
Output per channel: XLR connector	LINE OUT:	Balanced with transformer (Z: < 50 Ohm) +6 dBu/600 Ohm for 514 nWb/m adjustable -14 ... +15 dBu +22 dBu with 600 Ohm +20 dBu with 200 Ohm
Max. line output level:	+22 dBu with 600 Ohm +20 dBu with 200 Ohm	
Jack connector (6.3 mm diam./ 1/4 inch diam.)	PHONES:	max. 5.6 V/R _i 220 Ohm short circuit proof
Tape used for spec. measurement of the LINE IN/OUT version is AGFA PEM 468.		
We reserve the right to make alterations as technical progress may warrant.		

2. Technische Daten

REVOX PR99 MKIII

Gerätetyp:	2-Kanal-Bandmaschine, 1/4"-Bandlauf		
Laufwerk:	3-Motoren-Laufwerk, 2 AC-Wickelmotoren AC-Capstan-Motor, elektronisch geregelt		
2 Band- geschwindigkeiten:	elektronisch umgeschaltet Versionen 9,5/19 oder 19/38 cm/s Toleranz der Sollgeschw.: $\pm 0,2\%$		
Bereich Varispeed intern:	- 33% ... + 50% der Nominalgeschwindigkeit		
Tonhöhen- schwankungen: (bew. nach DIN 45507)	für Spulenkern- ϕ	≥ 10 cm:	≥ 6 cm:
	bei 9,5 cm/s	< 0,1%	< 0,1%
	bei 19 cm/s	< 0,08%	< 0,1%
	bei 38 cm/s	< 0,06%	< 0,1%
Schlupf:	max. 0,2%		
Umspulzeit:	ca. 120 Sek. für 760 m Band		
Spulengröße:	bis max. ϕ 265 mm (10,5") (min. Kerndurchmesser 6 cm), Bandzug umschaltbar für kleinere Kern- ϕ		
Laufwerksteuerung:	Integrierte Logik für beliebige Funktionsübergänge mit Bandlaufsensor. Motoren kontaktlos, elektronisch umgeschaltet. Alle Funktionen fernsteuerbar. Schaltuhrbetrieb mit Fernbedienung (und Schaltuhr) möglich. Faderstart und Papierkorbbetrieb.		
Bandzähler:	Echtwert-Anzeige in Std., Min., Sek., entsprechend der gewählten Bandgeschwindigkeit. Genauigkeit: 0,5% (Play) Zero-Locator, Address-Locator und Schleifenbetrieb möglich		
Entzerrungen:	NAB	9,5 cm/s: 90-3180 μ s 19 cm/s: 50-3180 μ s 38 cm/s: 50-3180 μ s	
	CCIR	9,5 cm/s: 90-3180 μ s 19 cm/s: 70 μ s 38 cm/s: 35 μ s	
Frequenzgang:	bei 9,5 cm/s:	30 Hz ... 16 kHz + 2/-3 dB 50 Hz ... 10 kHz $\pm 1,5$ dB	
	bei 19 cm/s:	30 Hz ... 20 kHz + 2/-3 dB 50 Hz ... 15 kHz $\pm 1,5$ dB	
	bei 38 cm/s:	30 Hz ... 22 kHz + 2/-3 dB 50 Hz ... 18 kHz $\pm 1,5$ dB	
Vollaussteuerung:	514 nWb/m, entspricht 6 dB über 0VU		
Aussteuerungsanzeige:	VU-Meter nach ASA-Norm mit LED-Über- steuerungsanzeigen (0VU + 6 dB, einstellbar)		
Klirrfaktor (k3 1kHz): bez. 514 nWb/m	CCIR:	NAB:	
	9,5 cm/s:	< 2,5%	
	19 cm/s:	< 2,0%	< 1,5%
	38 cm/s:	< 1,0%	< 1,0%
Störspannungs- abstände:	über Band, bez. Vollaussteuerung 514 nWb/m Spitze bew. CCIR 468/ASA-A IEC 179		
CCIR-Versionen:	19 cm/s:	> 52/64 dB	
	38 cm/s:	> 54/66 dB	
NAB-Versionen:	9,5 cm/s:	> 63 dB	
	19 cm/s:	> 66 dB	
	38 cm/s:	> 66 dB	
Übersprechdämpfung: 1 kHz, nur Stereo	Stereo:	> 45 dB	
	Mono:	> 60 dB	
Löschdämpfung 1 kHz:	bei 19 cm/s: besser - 75 dB		
Eingänge pro Kanal: (0 dBu = 0,775 V) XLR	LINE IN:	Leitung symm., mit Trafo Eingangsimpedanz ≥ 10 kOhm	
	CAL (CCIR):	+ 6 dBu für 514 nWb/m einstellbar - 4 ... + 16 dBu	
	CAL (NAB):	+ 4 dBu für OP-Level (0VU) einstellbar - 10 ... + 10 dBu	
	UNCAL:	Empfindlichkeit kann mit Regler INPUT LEVEL um 10 dB erhöht werden.	
Max. zulässiger Eingangspegel:	+ 22 dBu		

Ausgänge pro Kanal: XLR	LINE OUT:	Leitung symm., mit Trafo (Impedanz < 50 Ohm)
	CAL (CCIR):	+ 6 dBu/600 Ohm für 514 nWb/m einstellbar - 14 ... + 15 dBu
	CAL (NAB):	+ 4 dBu/600 Ohm für OP-Level (0VU) einstellbar - 20 ... + 9 dBu
	UNCAL:	Empfindlichkeit kann mit Regler INPUT LEVEL um 10 dB erhöht werden.
	Max. Pegel:	+ 22 dBu an 600 Ohm + 20 dBu an 200 Ohm
Jack-Buchse ϕ 6,3 mm	PHONES:	max. 5,6V/R _i 220 Ohm kurzschlussfest
Fernbedienungs- anschlüsse:	Laufwerkfunktionen, variable Bandgeschwindigkeit, Faderstart.	
Stromversorgung: (Spannungswähler)	100 V, 120 V, 140 V, 200 V, 220 V, 240 V 50 ... 60 Hz, max. 100 W	
Netzspannung:	100 ... 140 V; T 1 A; 200 ... 240 V; T 500 mA	
Netzanschluss:	3polig mit Schutzerde	
Betriebsbedingungen:	Umgebungstemperatur	+ 10 ... + 40 °C
	rel. Luftfeuchtigkeit (DIN 40040)	Klasse F
Betriebslage:	beliebig zwischen horizontal und vertikal	
Gewicht (Masse):	18,5 kg inkl. mont. Rackwinkel	
	Alle bandspezifischen Audiodaten beziehen sich auf folgende Bandsorten: 9,5/19 cm/s NAB: REVOX 656 19/38 cm/s NAB: REVOX 656 19/38 cm/s CCIR: AGFA PEM 468	

REVOX PR99 MKIII LINE I/O STEREO und LINE I/O MONO

- Aufgeführt sind nur Änderungen gegenüber der Normalversion.
- Für LINE IN/OUT MONO abweichende Daten stehen in Klammern.

Versionen:	Alle LINE IN/OUT-Geräte (STEREO und MONO): CCIR 19/38 cm/s Ausführung	
2 Band- geschwindigkeiten:	19/38 cm/s elektronisch umgeschaltet	
Toleranz der Sollgeschw.:	$\pm 0,2\%$	
Störspannungs- abstände:	über Band, bez. Vollaussteuerung 514 nWb/m Spitze bew. CCIR 468/ASA-A IEC 179 19 cm/s: > 52 (56) / 64 (68) dB 38 cm/s: > 54 (58) / 66 (70) dB	
Übersprechdämpfung: 1 kHz, nur Stereo	> 45 dB	
Eingänge pro Kanal: (0 dBu = 0,775 V) XLR	LINE IN:	Leitung symm., mit Trafo Eingangsimpedanz ≥ 10 kOhm + 6 dB für 514 nWb/m einstellbar - 4 ... + 16 dBu
Max. zulässiger Eingangspegel:	+ 22 dBu	
Ausgänge pro Kanal: XLR	LINE OUT:	Leitung symm., mit Trafo (Impedanz < 50 Ohm) + 6 dBu/600 Ohm für 514 nWb/m einstellbar - 14 ... + 15 dBu
	Max. Pegel:	+ 22 dBu an 600 Ohm + 20 dBu an 200 Ohm
Jack-Buchse ϕ 6,3 mm	PHONES:	max. 5,6V/R _i 220 Ohm kurzschlussfest
Alle bandspezifischen Audiodaten der LINE IN/OUT-Versionen beziehen sich auf: AGFA PEM 468		
Änderungen vorbehalten		

Anschlussmöglichkeiten

(Geräteaufsicht)

- [1] Tonmotorsteuerung
- [2] Laufwerksteuerung
- [3] Fernstart
- [4] Monitorausgang
- [5] Line-Ausgänge (symmetrisch)
- [6] Line-Eingänge (symmetrisch)

Connection Possibilities

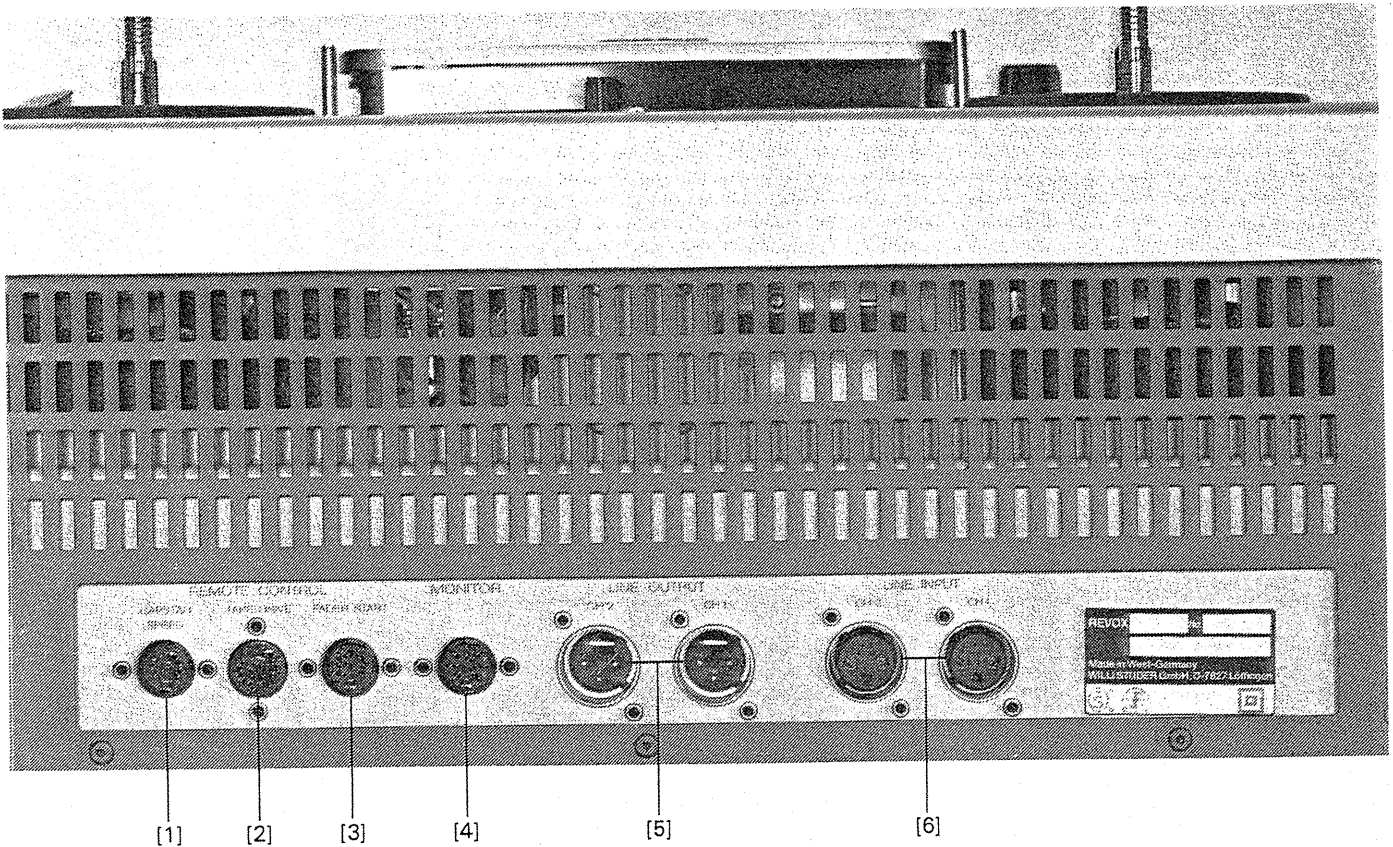
(Connector panel)

- [1] External capstan control
- [2] Parallel remote control
- [3] Fader start
- [4] Monitor output
- [5] Balanced output
- [6] Balanced input

Possibilités de raccordement

(Appareil vue de haut)

- [1] Commande de moteur
- [2] Commande de mécanisme
- [3] Mise en marche à distance
- [4] Sortie moniteur
- [5] Sorties ligne (symétriques)
- [6] Entrées ligne (symétriques)



Rückseite

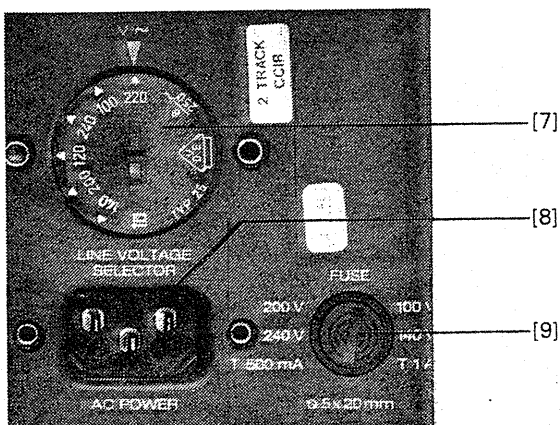
- [7] Spannungswählschalter
- [8] Netzanschlussbuchse
- [9] Sicherung

Rear side

- [7] Line Voltage selector
- [8] Mains connector
- [9] Fuse

Vue arrière

- [7] Sélecteur de tension
- [8] Prise réseau
- [9] Fusible



Wiedergabe

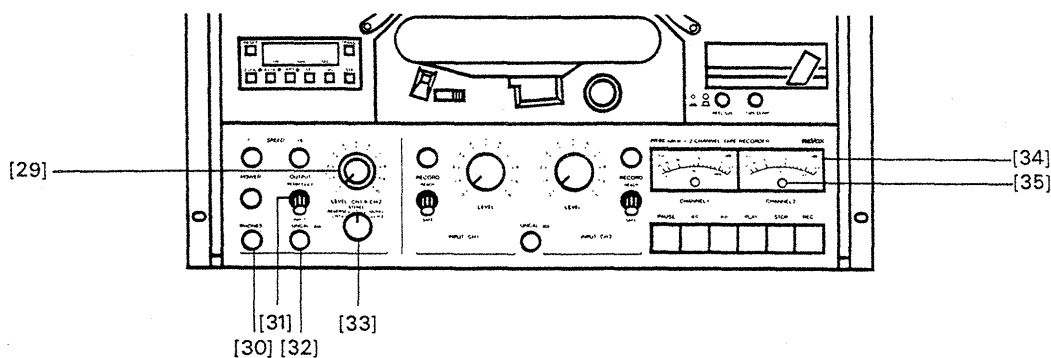
- [29] Wiedergabepegelregler
- [30] Kopfhöreranschluss
- [31] Vor-/Hinterbandschalter
- [32] Wiedergabepegel-Umschalter \leftrightarrow
UNCAL Output
- [33] Ausgangswahlschalter \leftrightarrow
- [34] Aussteuerungsanzeigen
- Stereoausführung: CH1 und CH2
- Monoausführung: Ein- und Ausgang
- [35] LED für Spitzenanzeige

Reproduce

- [29] Reproduce and headphone level control
- [30] Headphone jack
- [31] Source/Tape monitoring switch
- [32] CAL/UNCAL switch \leftrightarrow
- [33] Mode selector \leftrightarrow

Reproduction

- [29] Réglage du niveau de reproduction
- [30] Raccord casque
- [31] Commutateur avant/après bande
- [32] Commutateur de niveau de reproduction, \leftrightarrow
UNCAL Output
- [33] Sélecteur de sortie \leftrightarrow
- [34] Affichages de modulation
- exécution stéréo: CH1 et CH2
- exécution mono: entrée et sortie
- [35] LED pour affichage de crête



Aufnahme

- [34] Aussteuerungsanzeigen
- [35] LED für Übersteuerungsanzeige
- [36] Aufnahme-Vorwahlschalter \leftrightarrow
- [37] Aufnahme-Leuchtanzeige
- [38] Eingangspegelregler \leftrightarrow
- [39] Eingangspegel-Umschalter UNCAL Input \leftrightarrow

Record

- [34] VU-meters
Stereo model = CH1 and CH2
Mono model = input and output level
(LINE IN/OUT version only)
- [35] Peak level indicator LED
- [36] Record preselector \leftrightarrow
- [37] Recording indicator lamp
- [38] INPUT LEVEL control \leftrightarrow
- [39] CAL/UNCAL switch, record section \leftrightarrow

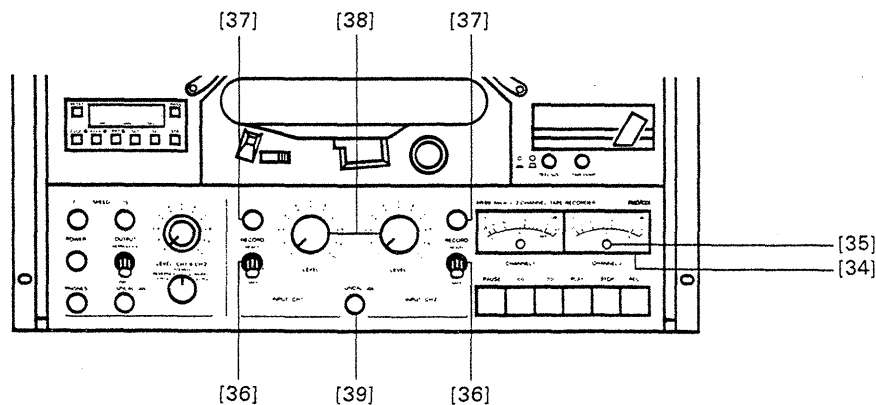
Enregistrement

- [34] Affichages de modulation
- [35] LED pour affichage de surmodulation
- [36] Présélecteur d'enregistrement \leftrightarrow
- [37] Témoin d'enregistrement
- [38] Réglage de niveau d'entrée \leftrightarrow
- [39] Commutateur de niveau d'entrée \leftrightarrow
UNCAL Input

\leftrightarrow Nicht vorhanden bei LINE IN/OUT-Ausführungen.

\leftrightarrow Not available on LINE IN/OUT versions.

\leftrightarrow Absent sur les exécutions LINE IN/OUT.



Indexliste der BedienungselementeIndex of operating elementsListe des éléments de commande**Laufwerk**

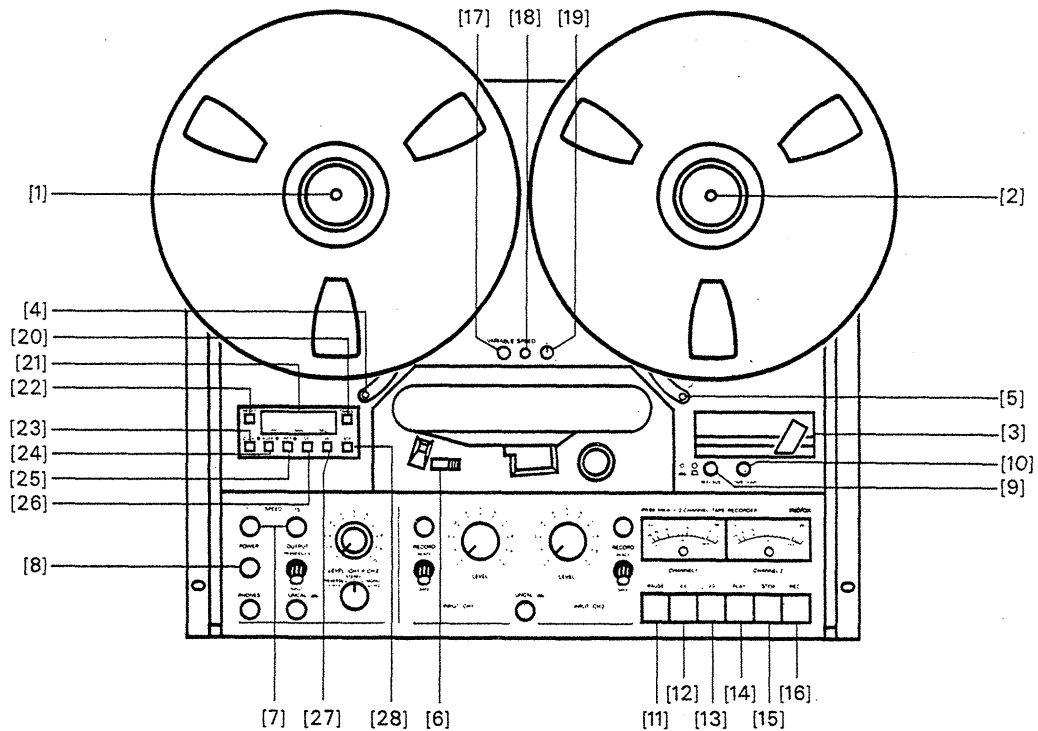
- [1] Linker Wickelteller
- [2] Rechter Wickelteller
- [3] Klebeschiene mit Bandschere
- [4] Linker Bandumlenkbolzen
- [5] Rechter Bandumlenkbolzen
- [6] Cutter Schiebetaste
- [7] Bandgeschwindigkeitswahltasten
- [8] Netzschalter POWER
- [9] Drucktaste für Spulengröße REEL SIZE
- [10] Drucktaste für Papierkorbbetrieb
- [11] Pausentaste
- [12] Rückspultaste
- [13] Vorspultaste
- [14] Wiedergabetaste
- [15] Stopptaste
- [16] Aufnahmetaste
- [17] Drucktaste VARIABLE SPEED ein/aus
- [18] LED für VARIABLE SPEED ein
- [19] Drehknopf VARIABLE SPEED
- [20] Drucktaste TRANSFER
- [21] Anzeige Bandzähler
- [22] Bandzähler Rückstelltaste
- [23] Drucktaste ZERO LOCATOR
- [24] Drucktaste ADDRESS-LOCATOR
- [25] Drucktaste REPEAT
- [26] Drucktaste SET
- [27] Drucktaste SELECT
- [28] Drucktaste STEP

Tape transport

- [1] Left-hand reel support
- [2] Right-hand reel support
- [3] Splicing block with cutter
- [4] Left-hand tape stabilizer
- [5] Right-hand tape stabilizer
- [6] Edit button
- [7] Tape speed selector buttons
- [8] POWER ON switch
- [9] REEL SIZE selector button
- [10] TAPE DUMP button
- [11] Pause key
- [12] << Fast rewind key
- [13] >> Fast forward key
- [14] PLAY key
- [15] STOP key
- [16] RECORD key
- [17] VARIABLE SPEED control On/Off button
- [18] Pilot LED VARIABLE SPEED on
- [19] On/Off button VARIABLE SPEED
- [20] TRANSFER button
- [21] Tape counter display
- [22] Reset COUNTER button
- [23] ZERO-LOCATOR button
- [24] ADDRESS-LOCATOR button
- [25] REPEAT button
- [26] SET button
- [27] SELECT button
- [28] STEP button

Mécanisme

- [1] Tableau gauche
- [2] Tableau droit
- [3] Rail de collage avec coupe-bande
- [4] Renvoi gauche
- [5] Renvoi droit
- [6] Touche de Cutter
- [7] Touches de sélection de vitesse
- [8] Interrupteur principal POWER
- [9] Touche pour grandeur de bobine REEL SIZE
- [10] Touche pour mode dévidement libre
- [11] Touche de pause
- [12] Touche de rebobinage
- [13] Touche de bobinage rapide
- [14] Touche de reproduction
- [15] Touche d'arrêt
- [16] Touche d'enregistrement
- [17] Touche VARIABLE SPEED en/hors
- [18] LED pour VARIABLE SPEED en
- [19] Bouton rotatif VARIABLE SPEED
- [20] Touche TRANSFER
- [21] Affichage du compteur de bande
- [22] Remise à zéro du compteur de bande
- [23] Touche ZERO LOCATOR
- [24] Touche ADDRESS-LOCATOR
- [25] Touche REPEAT
- [26] Touche SET
- [27] Touche SELECT
- [28] Touche STEP

Gerätefront**Tape deck****Plaque frontale**

7. Schaltbildsammlung Allgemeines und Laufwerk	7. Set of schematics General and tape drive control	7. Recueil des schémas Généralités et commande du mécanisme	
Inhaltsverzeichnis	Contents	Répertoire	7/1
Lage der Platinen	Boards location	Position des plaquettes	7/2
8. Schaltbildsammlung Audio	8. Set of schematics audio	8. Récueil des schémas audio	
Inhaltsverzeichnis	Contents	Répertoire	8/1
9. Ersatzteillisten	9. Parts lists	9. Listes de pièces détachées	
10. Beschreibung der Buchsen	10. Description of sockets	10. Description des prises	
Audio	Audio	Audio	10/1
Remote Control	Remote control	Remote control	10/3
Dia-Steuerung, FREE HEAD KIT 1.177.090.00	Slide Show control, FREE HEAD KIT 1.177.090.00	Commande de diapositives FREE HEAD KIT 1.177.090.00	10/5
Elektronisch selbsthaltende Pausentaste	Electronic controlled locking Pause	Pause à encliquetage électronique	10/5

Die nachfolgenden Positionslisten enthalten teilweise Bestellnummern, die nur fertigungstechnisch Anwendung finden. Für Servicezwecke können die Referenznummern abweichen.
Bei elektrischen Komponenten wie Widerständen, Kondensatoren, Transistoren, IC's usw., die keine spezielle, gerätegebundene Nummer haben, empfehlen wir eine lokale Beschaffung.

Some of the order numbers contained in the following lists are used for production purposes only. The reference numbers may deviate for service purposes.
Electrical components such as resistors, capacitors, transistors, IC's etc. having no special unit-specific number and not being identified respectively should be purchased locally.

Les listes ci-après contiennent en partie des numéros de référence utilisés uniquement lors de la fabrication. Pour le service ces numéros peuvent différer.
Pour tous les composants électriques, tels que résistances, transistors, IC, etc. qui n'ont pas un numéro de référence se rapportant à un type défini d'appareil, nous vous recommandons de vous les procurer localement.

Subject to change.
Printed in Switzerland by WILLI STUDER AG
Order number 10.30.1070 (Ed. 1089)
Copyright by WILLI STUDER AG
CH-8105 Regensdorf-Zurich

REVOX is a registered trade mark of
WILLI STUDER AG Regensdorf

4. Mechanik	4. Tape de transport mechanism	4. Mécanique	
Kopfräger	Headblock	Support des têtes	4/1
Bremsen	Brakes	Freins	4/1
Andruckrolle	Pinch roller	Galet presseur	4/2
Tonmotor	Capstan motor	Moteur de cabestan	4/3
Wickelmotor-Lager wechseln	Spooling motors, replacement of bearing	Echange des coussinets du moteur de bobinage	4/4
Schmierien	Lubrication	Lubrification	4/4

5. Elektronik	5. Electronics	5. Electronique	
lgemeines	General	Généralités	5/1
Audio-Verbindungsprint 1.177.516 ect.	Audio-interconnection board 1.177.516 ect.	Circuit d'interconnexion audio 1.177.516 ect.	5/1
Eingangsverstärker 1.177.515/521	Input amplifier 1.177.515/521	Amplificateur d'entrée 1.177.515/521	5/2
Aufnahme-Verstärker 1.177.230/232/233	Recording amplifier 1.177.230/232/233	Amplificateur d'enregistrement 1.177.230/232/233	5/2
Oszillator 1.177.867/868	Oscillator 1.177.867/868	Oscillateur 1.177.867/868	5/3
Wiedergabe-Verstärker 1.177.875/876/877	Reproduce amplifier 1.177.875/876/877	Amplificateur de lecture 1.177.875/876/877	5/4
Locator MPU 1.177.755	Locator MPU 1.177.755	Locator MPU 1.177.755	5/5
Locator Command 1.177.750	Locator command 1.177.750	Locator Command 1.177.750	5/6
Ausgangsverstärker 1.177.882/883	Output amplifer 1.177.882/883	Amplificateur de sortie 1.177.882/883	5/4
Stromversorgung 1.177.785/885	Power supply 1.177.785/885	Alimentation 1.177.785/885	5/7
Fader start logic 1.177.893/894	Fader start logic 1.177.893/894	Fader start logic 1.177.893/894	5/7
Laufwerksteuerung 1.177.317	Tape transport control 1.177.317	Commande du mécanisme 1.177.317	5/8
Drehzahlregelung 1.177.325/326/327	Speed regulating circuit 1.177.325/326/327	Régulation de vitesse 1.177.325/326/327	5/10

6. Elektrische Messungen und Einstellungen	6. Electrical adjustments	6. Mesures et réglages électriques	
Messgeräte und Hilfsmittel	Required test equipment	Appareils de mesure et accessoires	6/1
Kontrolle der Speisespannung	Checking the supply voltages	Contrôle des tensions d'alimentation	6/1
Laufwerkeinstellungen	Tape transport adjustments	Réglage du mécanisme	6/1
Audio-Einstellungen	Audio adjustments	Réglage audio	6/3
Lage der Einstellregler	Potentiometers location	Position des potentiomètres	6/3
Messung verschiedener Kenndaten	Measurement of various performance data	Mesure de différentes caractéristiques	6/13

INHALTSVERZEICHNIS

CONTENTS

REPERTOIRE

Bezeichnung	Description	Désignation	Seite/page
1. Bedienungselemente	1. Operating elements	1. Organes de commande	
2. Technische Daten und Abmessungen	2. Technical specifications and dimensions	2. Caractéristiques techniques et dimensions	
3. Ausbau	3. Dismantling	3. Démontage	
Gehäuse ausbauen	Removal of case	Démontage du boîtier	3/1
Entfernen der Laufwerkabdeckung	Removal of front panel	Dépose de la plaque recouvrant le mécanisme	3/1
Bedienungseinheit ausbauen	Removal of audio control section	Dépose de l'unité de commande	3/2
Frontplatte der Bedienungseinheit ausbauen	Removal of fascia from control section	Dépose de la plaque frontale de l'unité de commande	3/2
Bremsaggregat ausbauen	Removal of brake assembly	Dépose de l'agrégat des freins	3/3
Kopfträger ausbauen	Removal of headblock	Dépose du support des têtes	3/4
Bandbewegungssensor ausbauen	Removing the tape move sensor	Dépose du capteur de mouvement	3/4
Rechten Wickelmotor ausbauen	Removal of right-hand spooling motor	Dépose du moteur de bobinage droit	3/5
Linken Wickelmotor ausbauen	Removal of left-hand spooling motor	Dépose du moteur de bobinage gauche	3/5
Tonmotor ausbauen	Removal of capstan motor	Dépose du moteur de cabestan	3/6
Andruckmagnet, Andruckarm ausbauen	Removal of pinch roller solenoid and pinch roller arm	Dépose de l'électro-aimant et du bras du galet presseur	3/6
Vari-Speed Control-Einheit ausbauen	Removal of Varispeed Control unit	Dépose de l'unité Vari-Speed Control	3/6
Bandabhebe-Einheit ausbauen	Removal of tape lift mechanism	Dépose de l'unité d'écartement de la bande	3/7
NF-Steckkarten ausbauen	Removal of audio circuit boards	Démontage des plaquettes enfichables BF	3/7
Laufwerksteuerungs-Steckkarte ausbauen	Removal of tape transport control board	Démontage de la plaquette de commande du mécanisme	3/7 3/7
Drehzahlregelungs-Steckkarte ausbauen	Removal of speed control board	Démontage de la plaquette de régulation de vitesse	3/7
Netztrafo-Einheit ausbauen	Removal of power transformer unit	Dépose du transformateur d'alimentation	3/7
Audio-Anschlussfeld ausbauen	Disassembly of connection board	Dépose du panneau de raccordement audio	3/8
Bandzughebel ausbauen	Removal of tape tension arm	Dépose du tendeur de bande	3/8
Audio-Verbindungs-Platine ausbauen	Removal of audio interconnection board	Dépose du circuit d'interconnexion audio	3/9
VU-Meter-Einheit ausbauen	Removal of VU-meter unit	Dépose des VU-mètres	3/9
Print FADER START LOGIC ausbauen	Disassembly of FADER START LOGIC PCB	Dépose du circuit FADER START LOGIC	3/10
Locator Command-Einheit ausbauen	Removal of Locator command unit	Dépose de l'unité Locator command	3/10
Locator MPU Print ausbauen	Removal of Locator MPU board	Dépose de l'unité Locator MPU	3/10
Zusammenbau	Reassembly	Remontage	3/10

140
REVOX

PR99 MKIII

Serviceanleitung
Service Instructions
Instructions de service



140