

A1 DECK MASK

NO OFF 1

B1 SPOOL HOLDERS 2

C1 SENSEING ROLLER 1

D1 PINCH ARM 1

E1 PINCH WHEEL 1

F1 AUTO STOP ARM 1

G1 TAPE PIN 1

H1 TAPE GUIDE 2

I1 HEAD SCREEN 1

J1 SCREEN HINGE 2

K1 HEAD BASE PLATE 3

L1 HEAD AZIMUTH PLATES 3

M1 COVER POSTS 2

N1 SPOOL DRIVE PIN 2

SCREWS

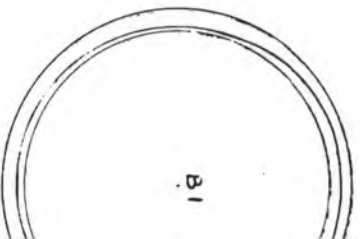
FOR ADJUSTMENT

A AZIMUTH

B ZENITH

AND ROTATION.

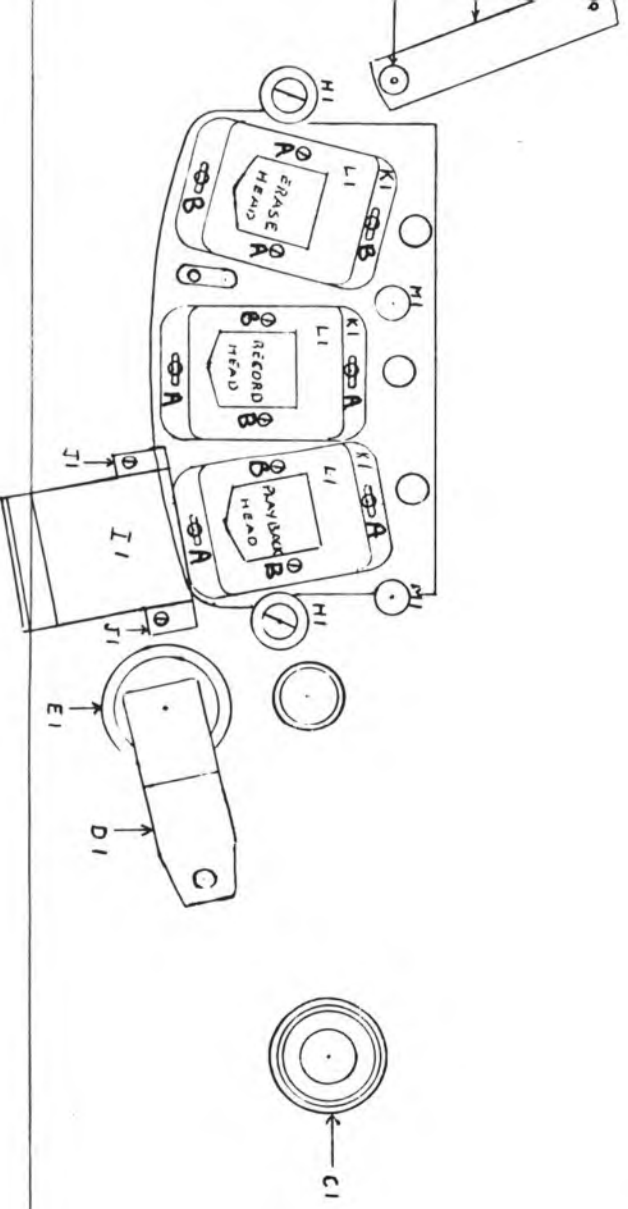
A1



B1

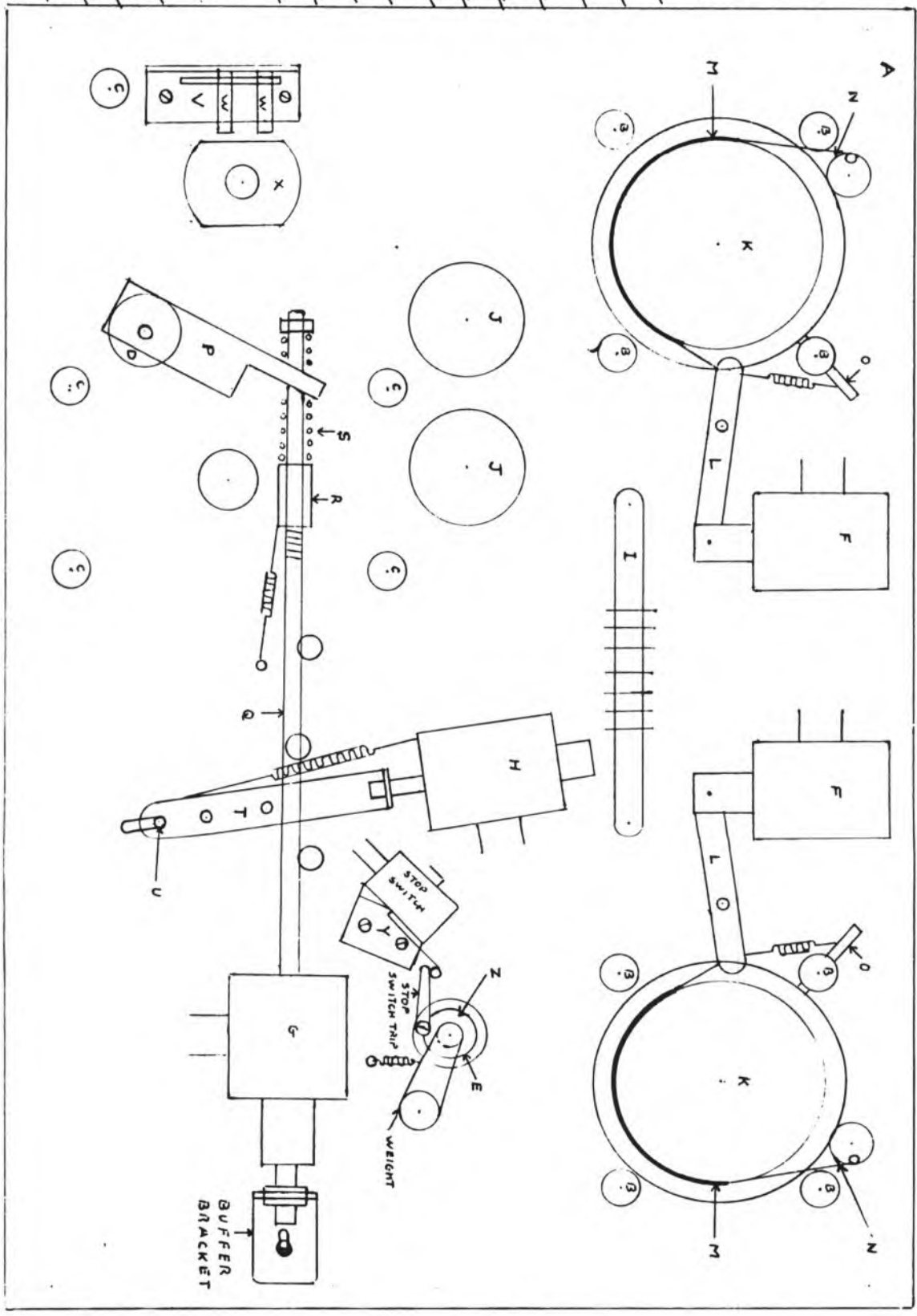
F1

G1



DECK MASK TOP VIEW

- | | | | |
|---|-------------------|---|--------|
| A | DECK PLATE | 1 | NO OFF |
| B | MOTOR POSTS. | 8 | |
| C | DRIVE UNIT POSTS. | 5 | |
| D | TRAIN ARM BUSH | 1 | |
| E | AUTO STOP BUSH | 1 | |
| F | SOL. BRAKE | 2 | |
| G | PINCH WHEEL SOL. | 1 | |
| H | TAPETAKOFF SOL. | 1 | |
| I | CONTACT STRIP | 1 | |
| J | CAPACITORS | 2 | |
| K | SPOOL MOTORS | 2 | |
| L | BRAKE ARM | 2 | |
| M | BRAKEBAND & CORK | 2 | |
| N | BRAKE ADJUSTERS | 2 | |
| O | BRAKE TENSION | 2 | |
| P | MAIN ARM | 1 | |
| Q | SOL. PUSH BAR | 1 | |
| R | TENSION BUSH | 1 | |
| S | TENSION SPRING | 1 | |
| T | TAPETAKOFF BAR | 1 | |
| U | TAPETAKOFF PIN | 1 | |
| V | SENSEING BRACKET | 1 | |
| W | LIGHT CELLS | 2 | |
| X | SENSEING SHUTTER | 1 | |
| Y | SWITCH PLATE STOP | 1 | |
| Z | AUTO STOP | 1 | |



DECK PLATE UNDERNEATH

TRANSPORT SWITCH PLATE

